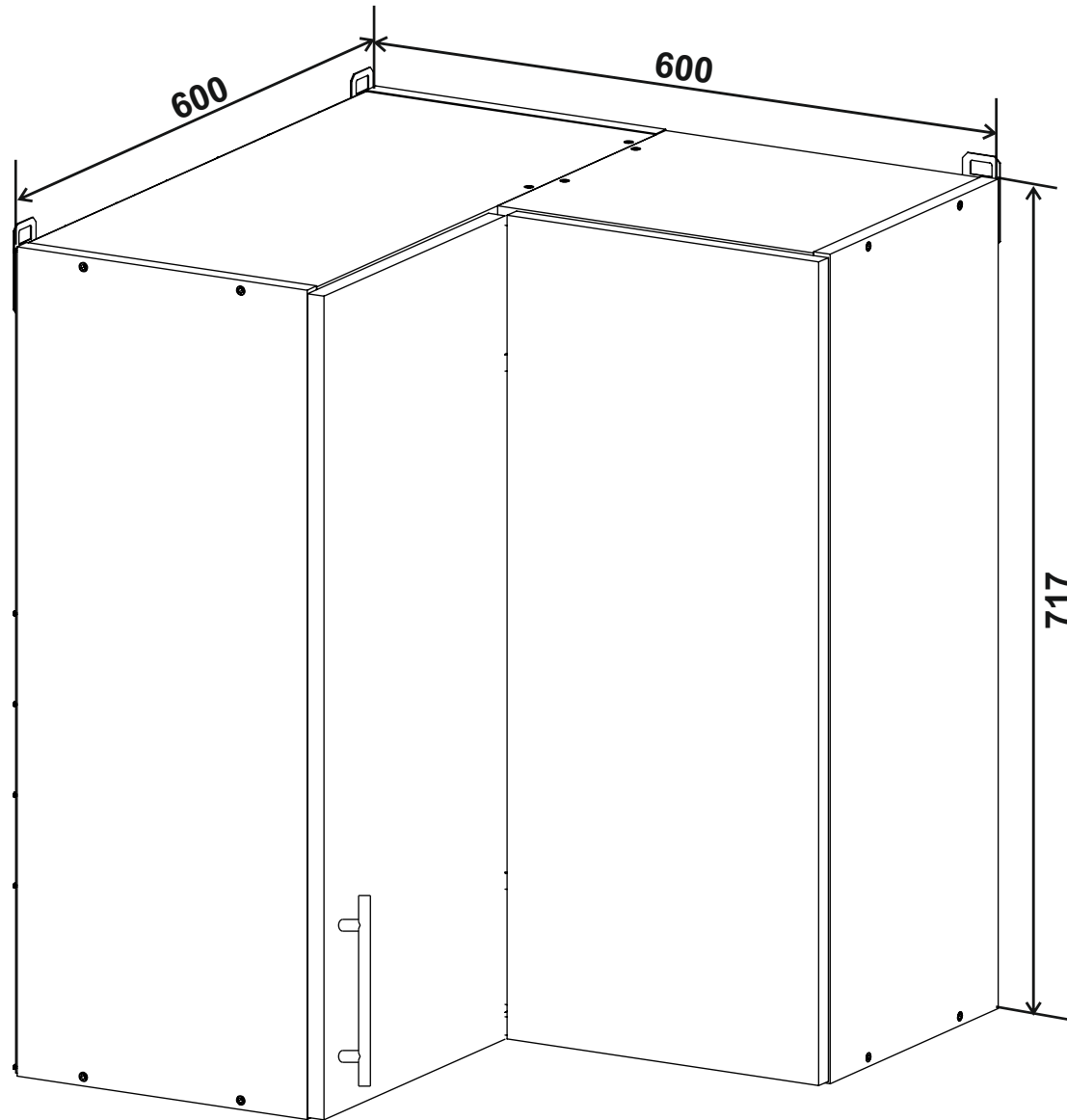
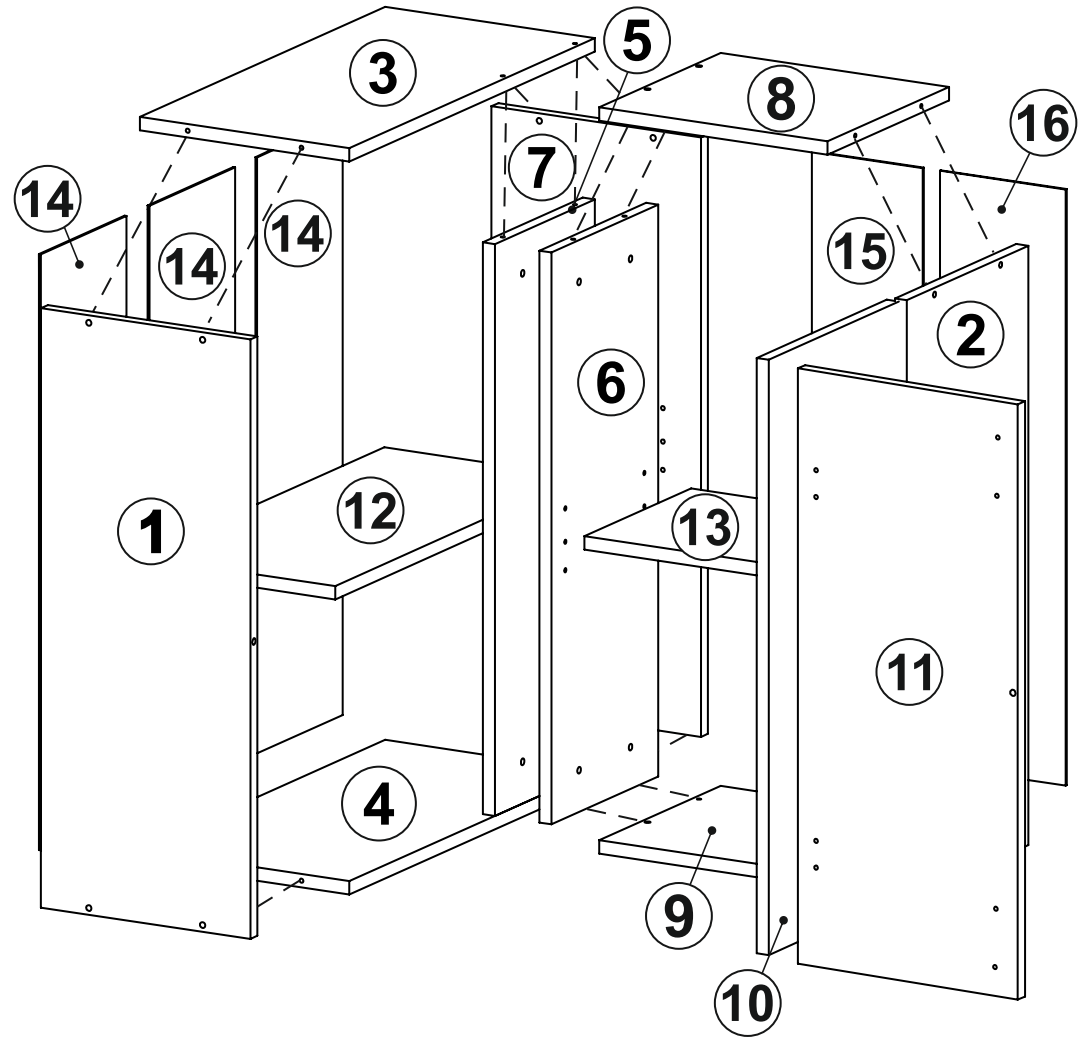
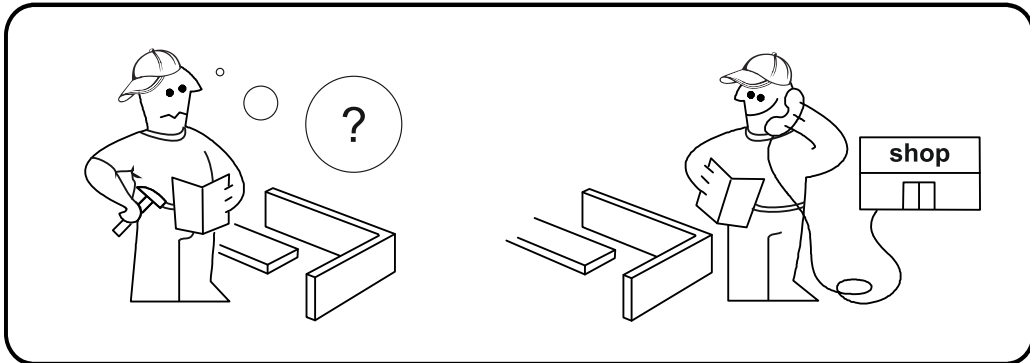
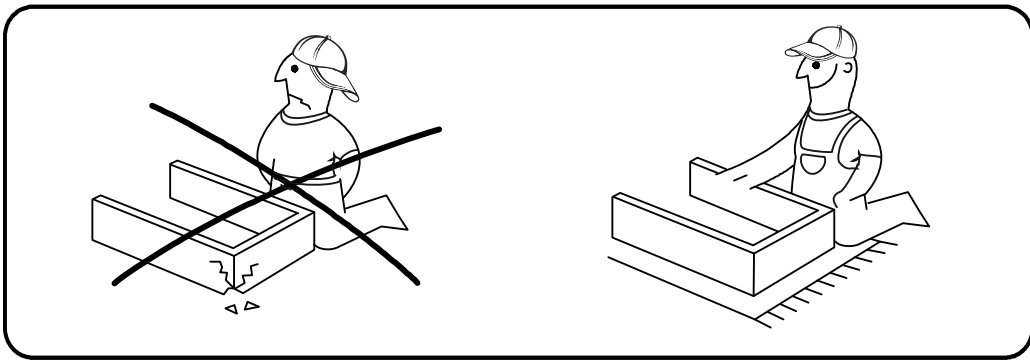
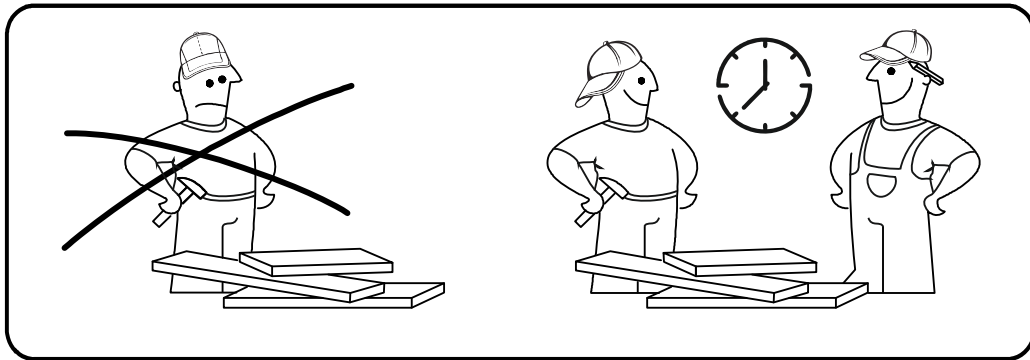
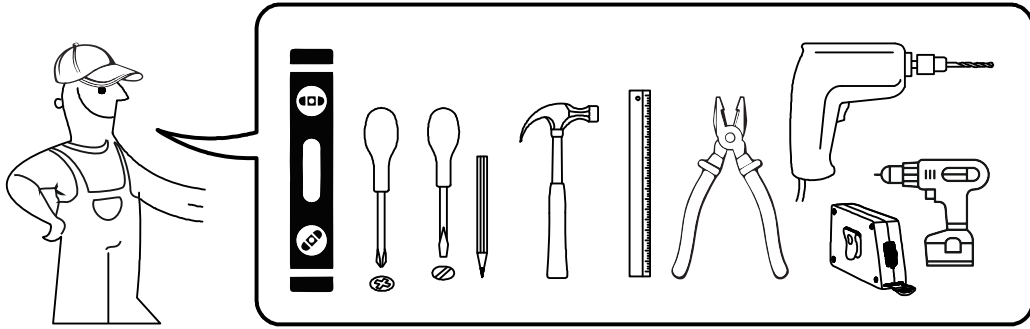
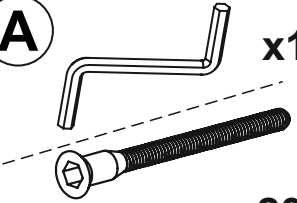
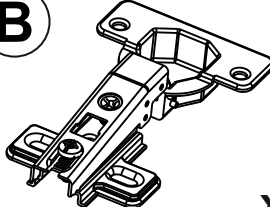
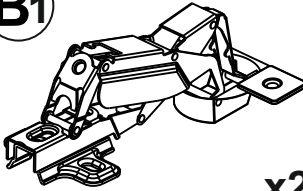
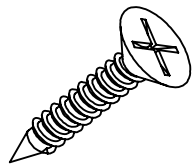
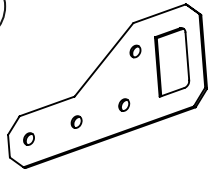
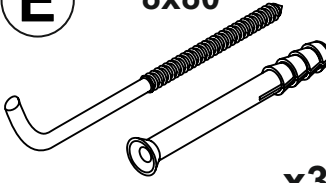
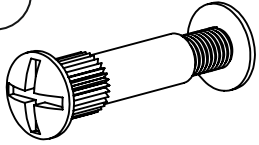
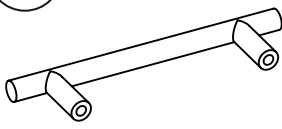
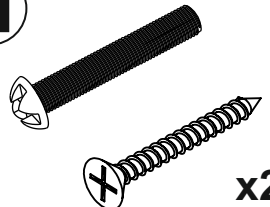
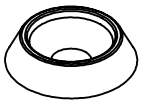
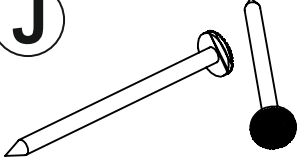
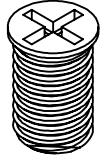
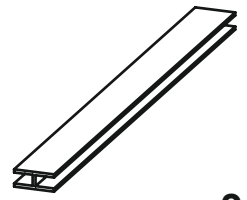
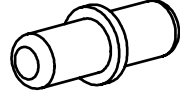
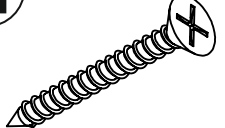

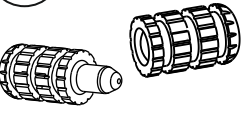


WG6072



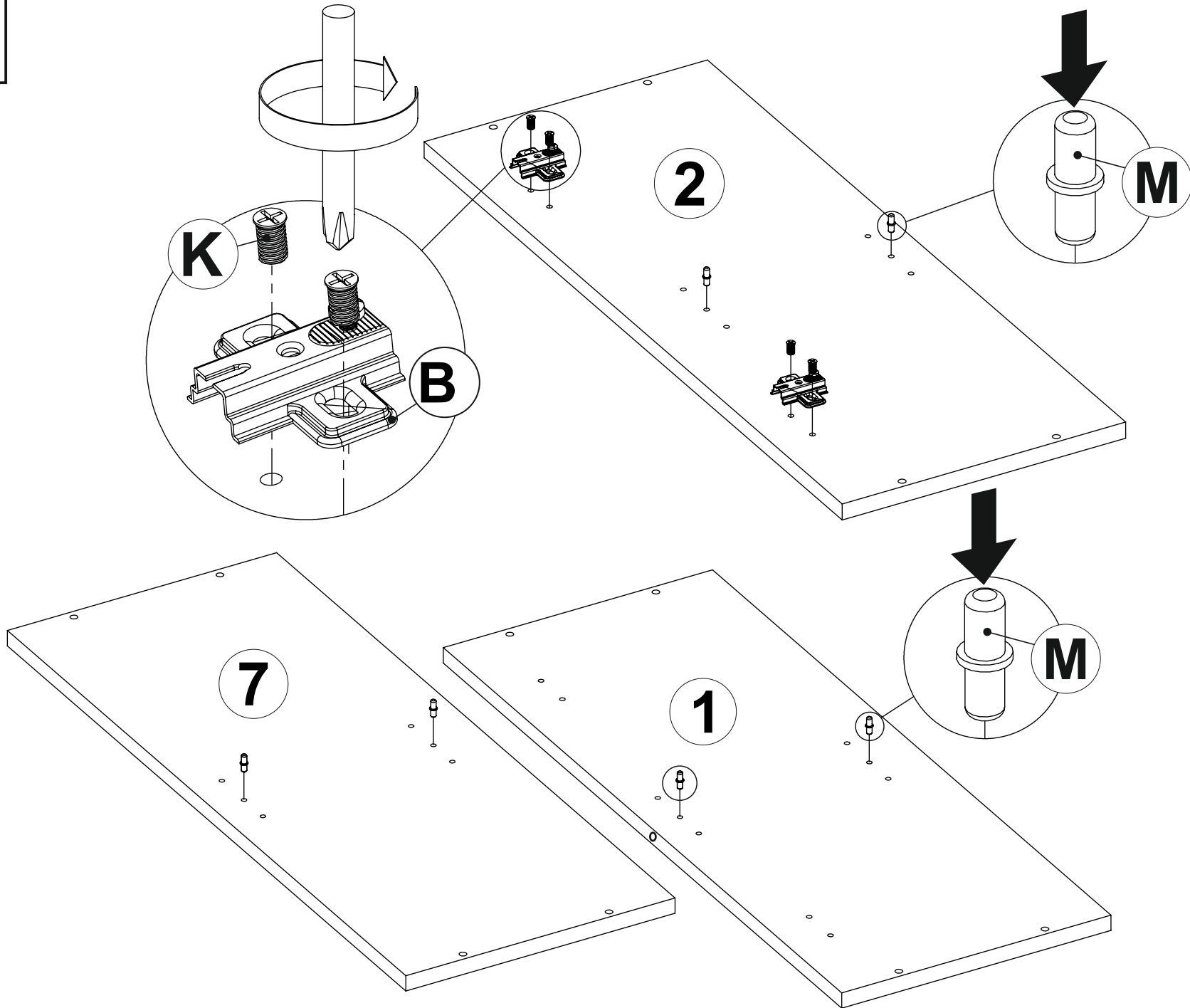


WG6072

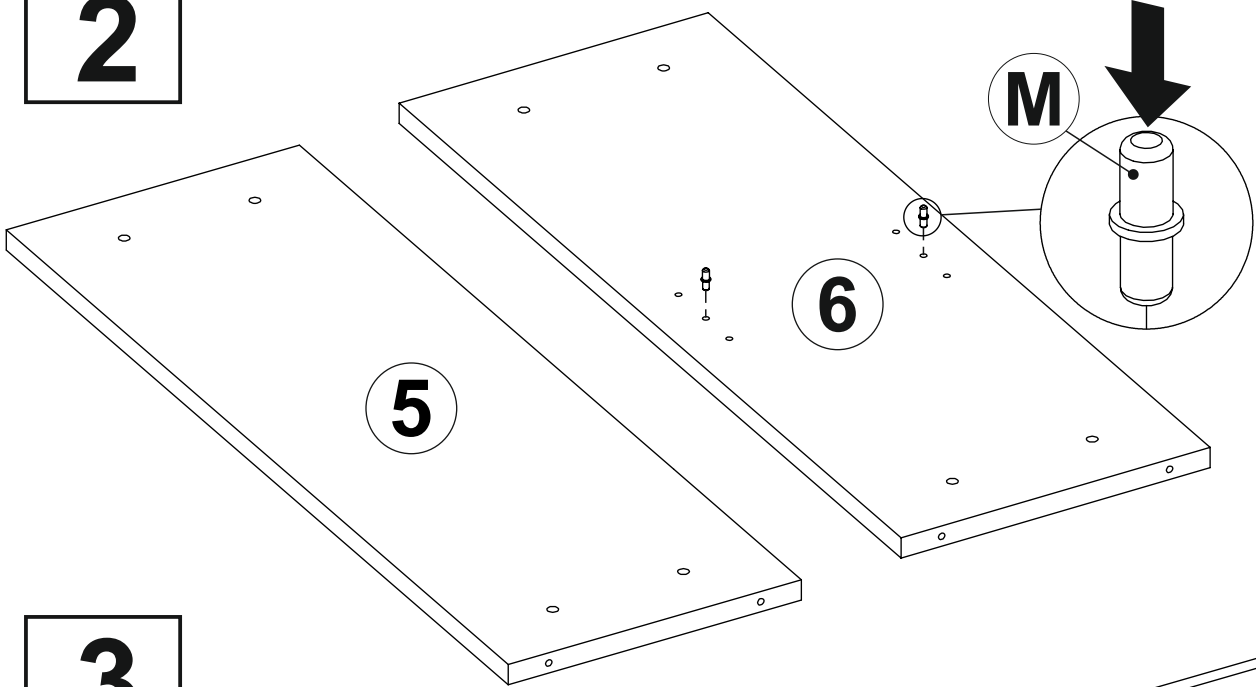
A  x1 x20	B  x2	B1  x2	C 4x16  x8
D  x3	E 8x80  x3	F  x4	G  x1
H 4x25  x2	I  x2	J  20g	K  x8
 684mm x3	M  x8	N 4x30  x12	O 3x13  Only for Craft series x2
P  x1			

No	a x b x c	x	Paket
1	717x280x16	1	1/1
2	717x280x16	1	1/1
3	568x280x16	1	1/1
4	568x280x16	1	1/1
5	684x230x16	1	1/1
6	684x246x16	1	1/1
7	717x280x16	1	1/1
8	280x304x16	1	1/1
9	280x304x16	1	1/1
10	713x301x16 733x301x16	1	1/2
11	713x301x16 733x301x16	1	1/2
12	566x260x16	1	1/1
13	240x286x16	1	1/1
14	714x198x2,5	3	3/1
15	714x148x2,5	1	1/1
16	714x168x2,5	1	1/1

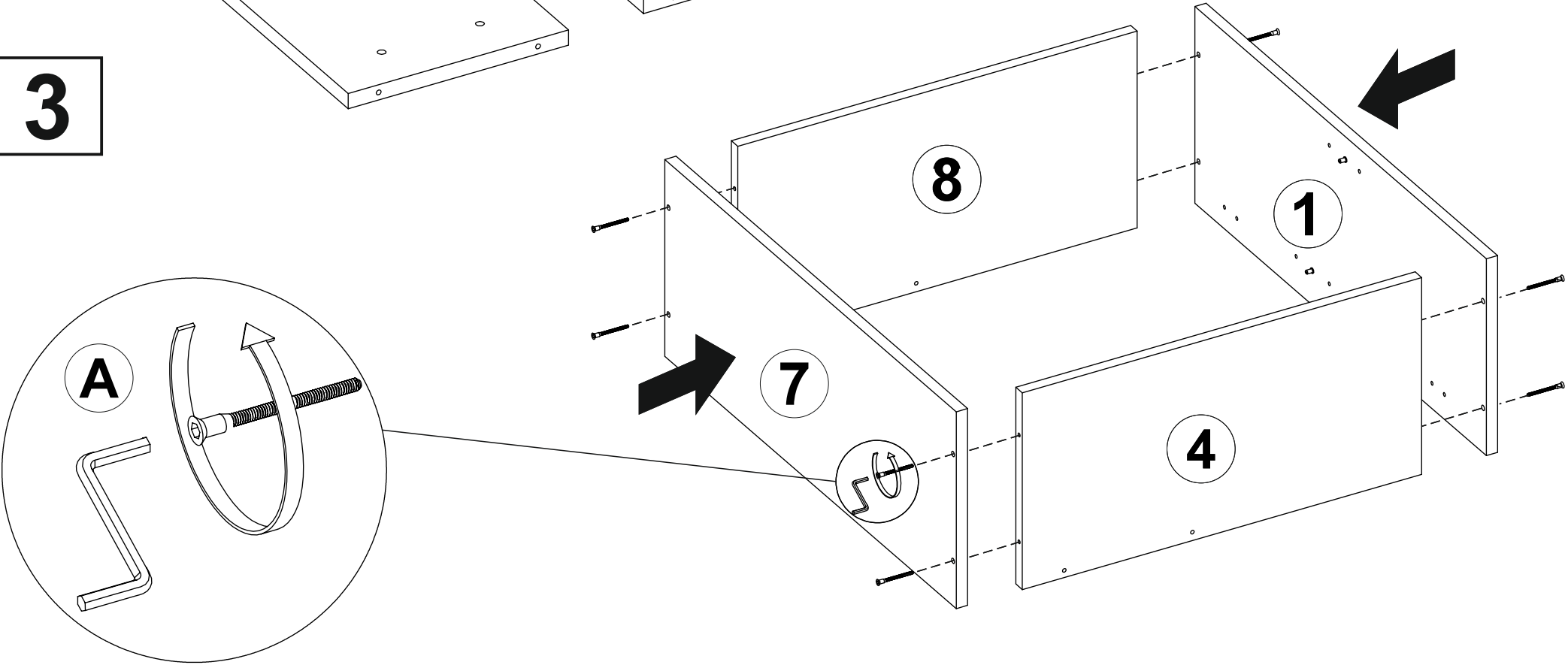
1



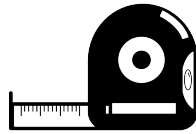
2



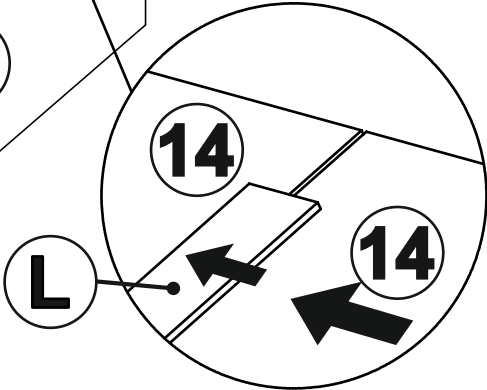
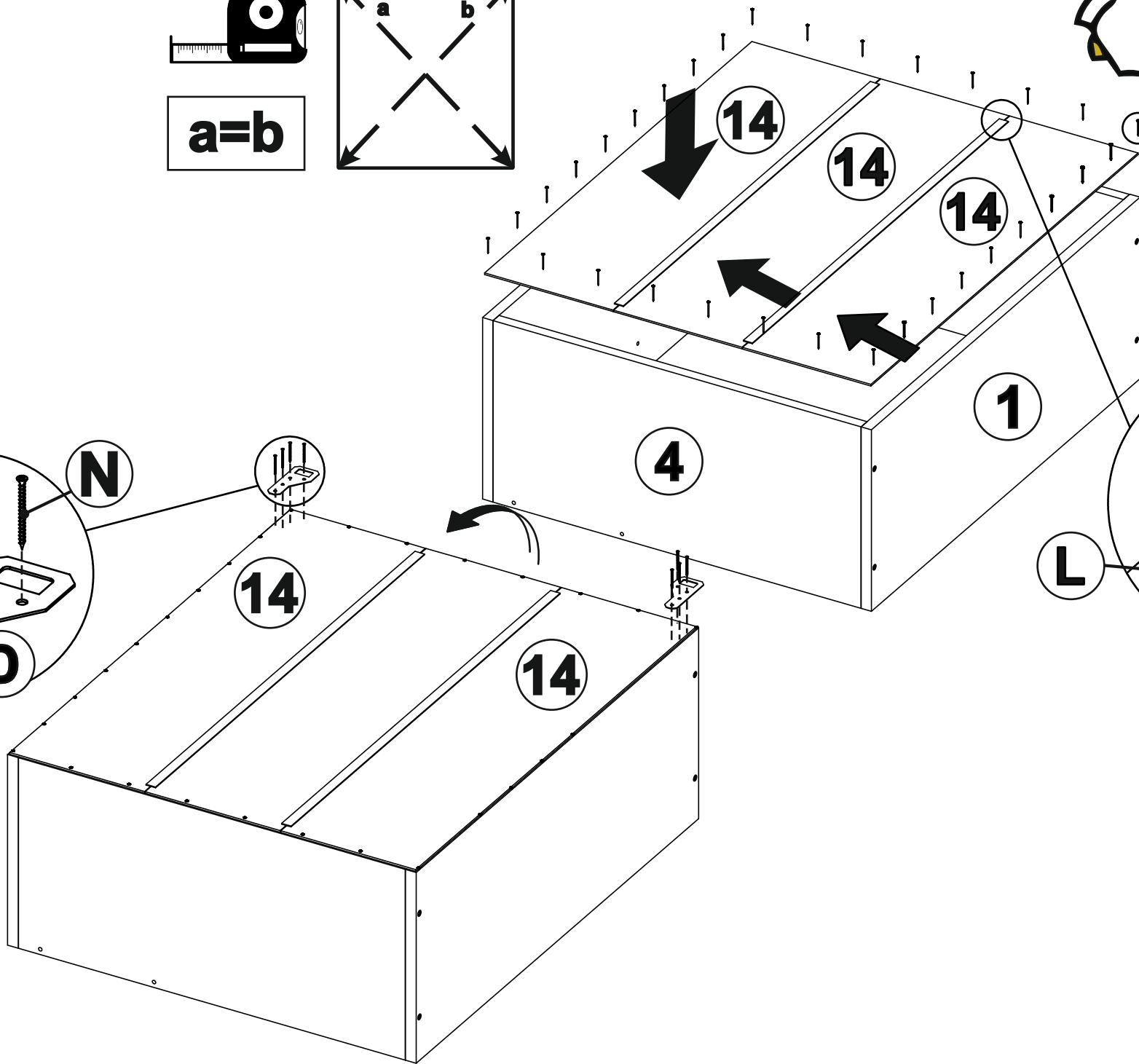
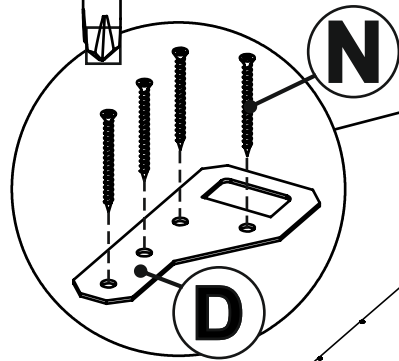
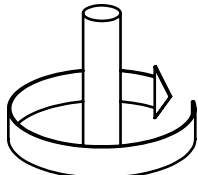
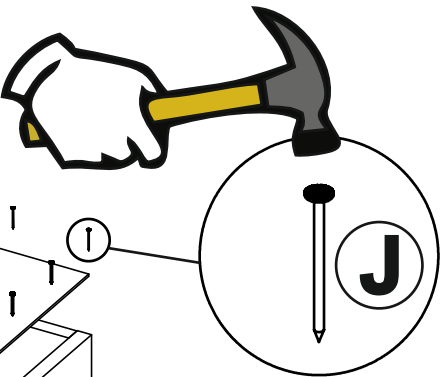
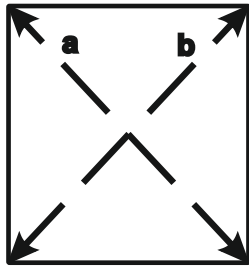
3



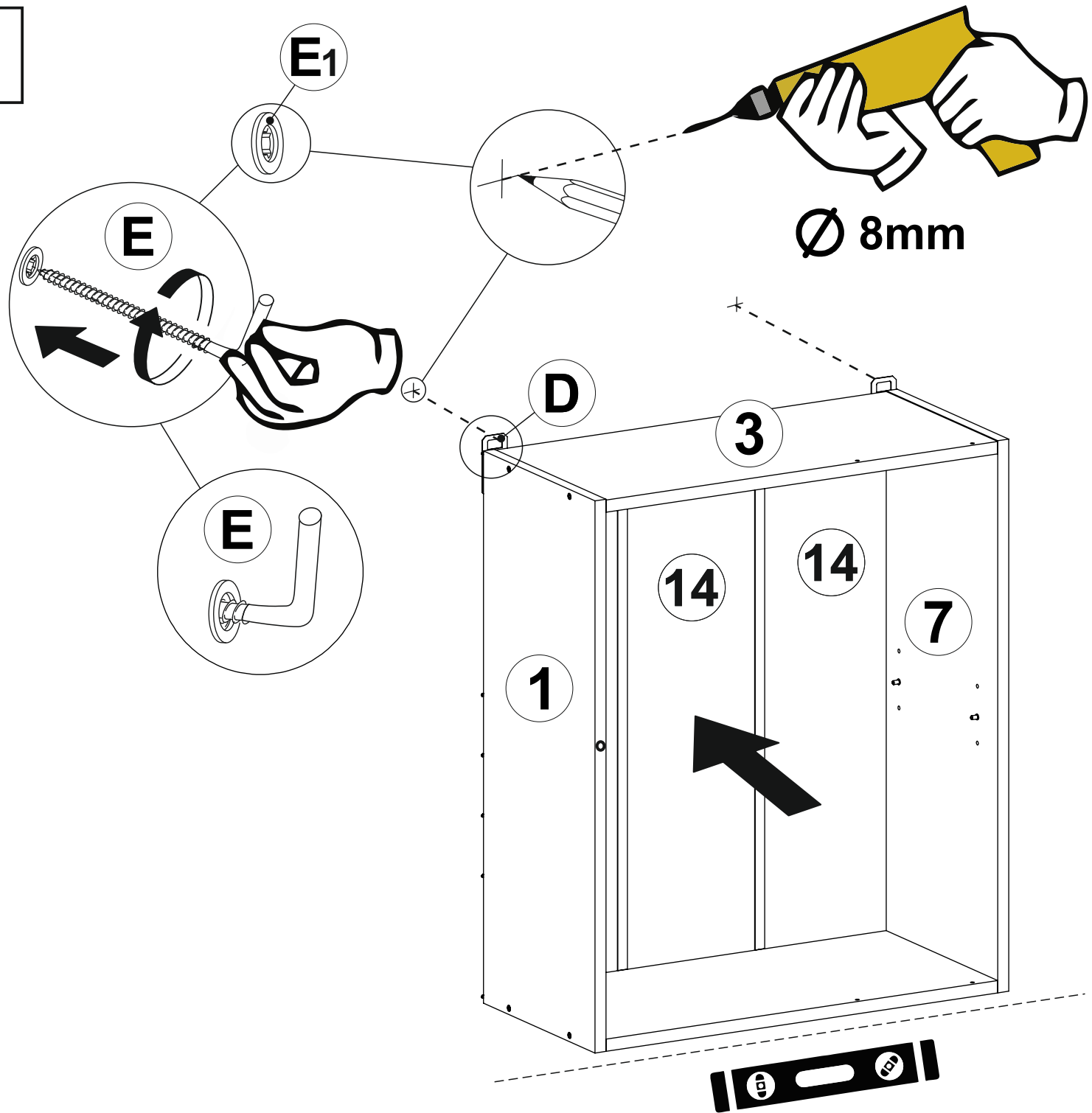
3



a=b



4



Ø 8mm

Ø 8 mm
Ø 8 mm

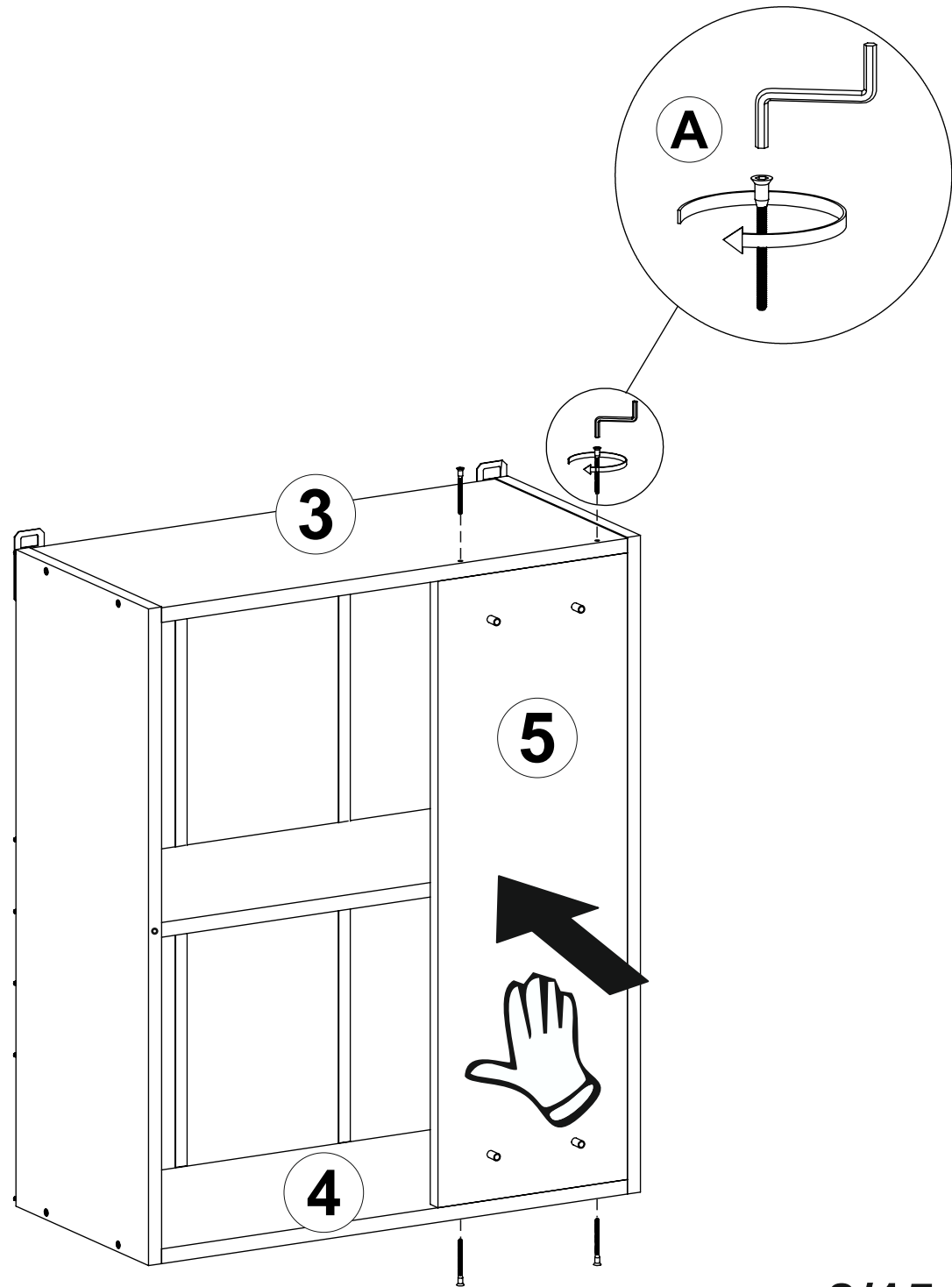
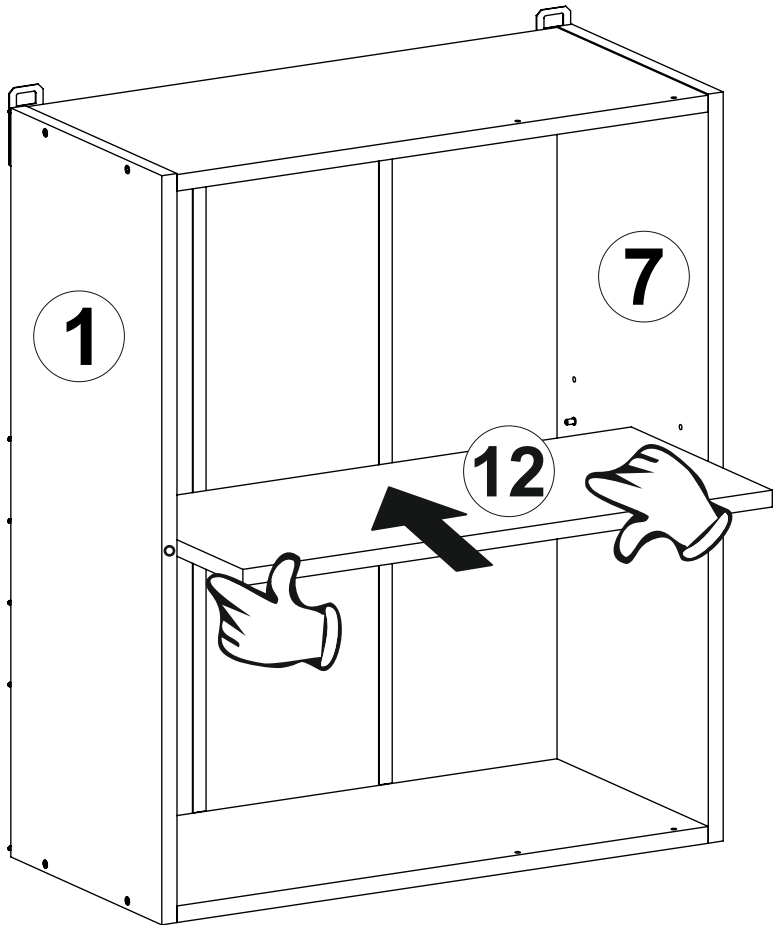
1 Pencil

2 8x80 Drill bit

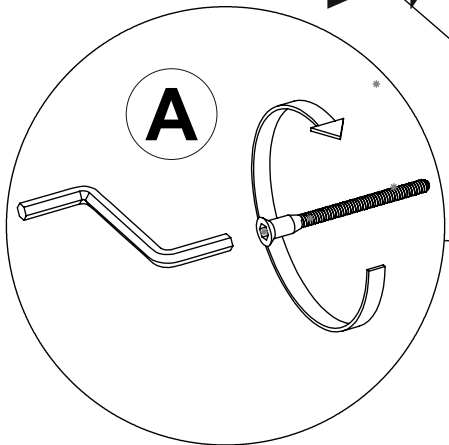
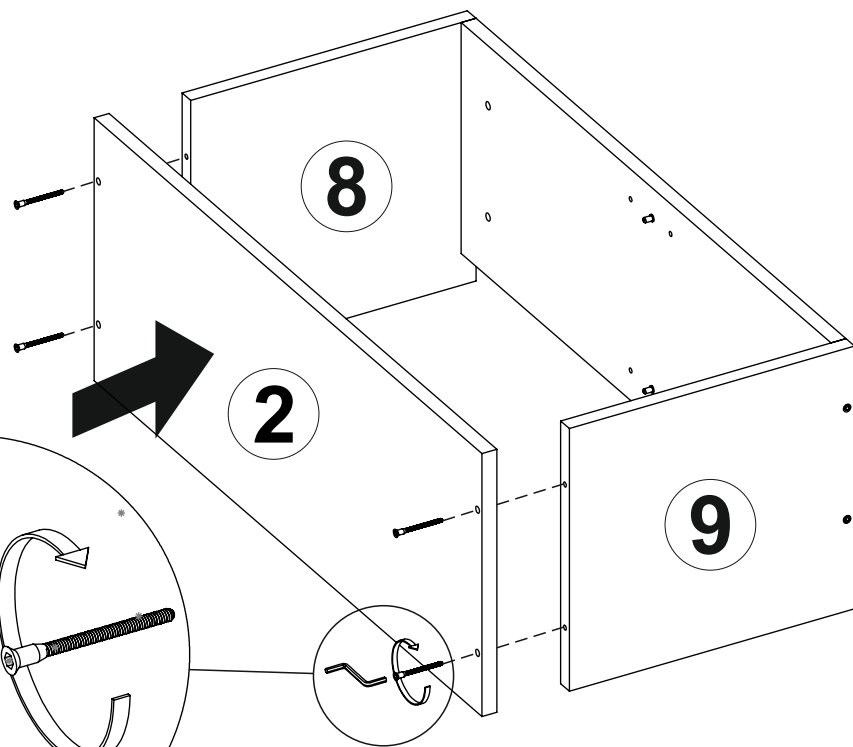
3 Drill

E Hinge pin

5



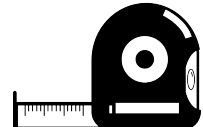
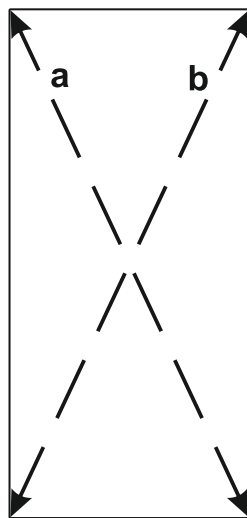
6



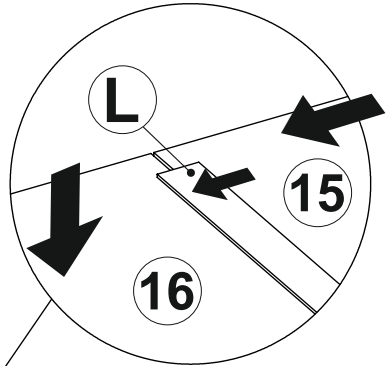
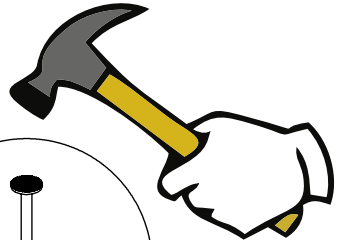
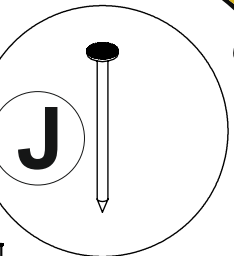
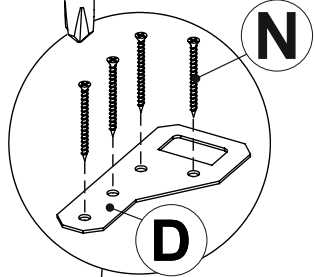
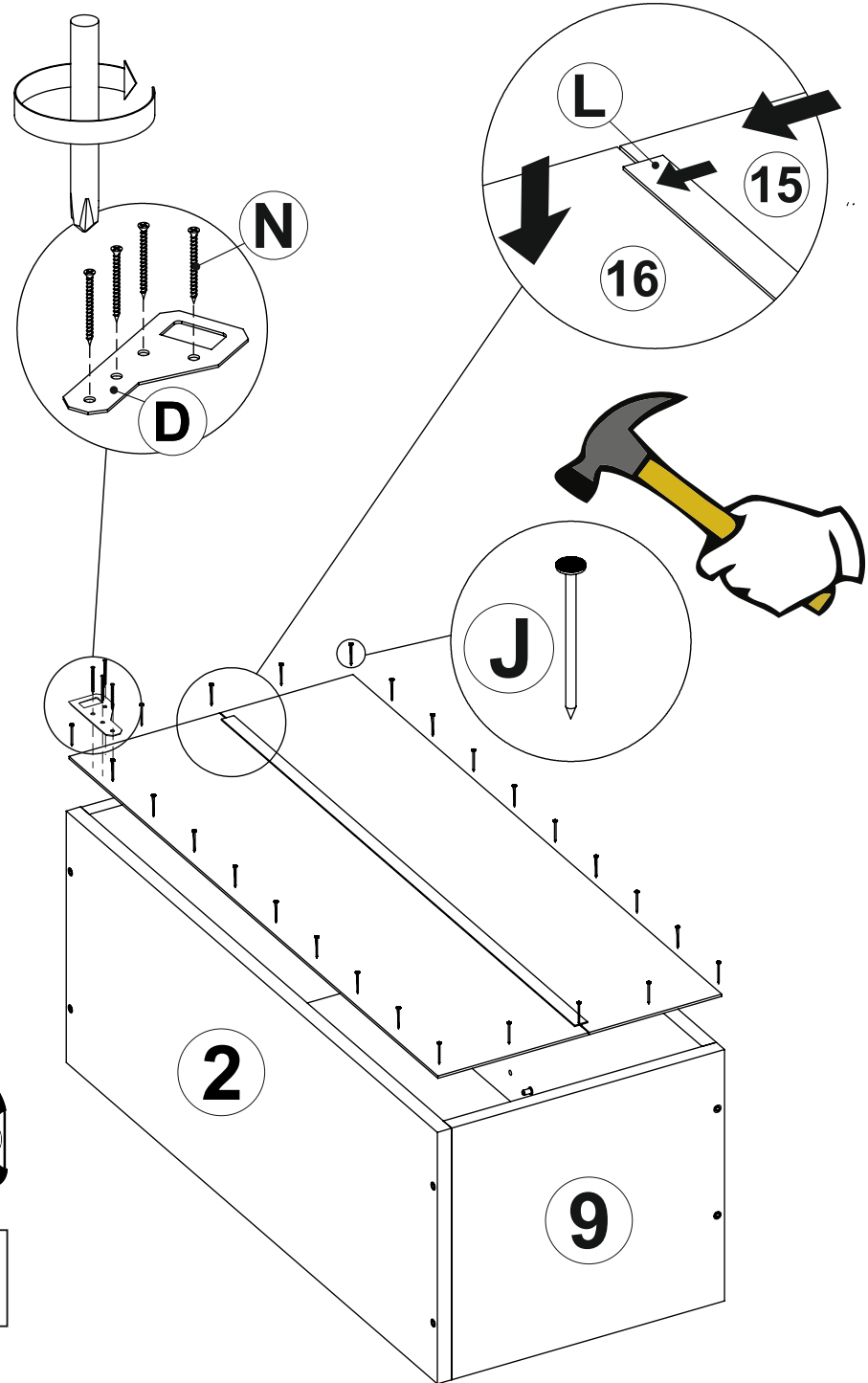
8

2

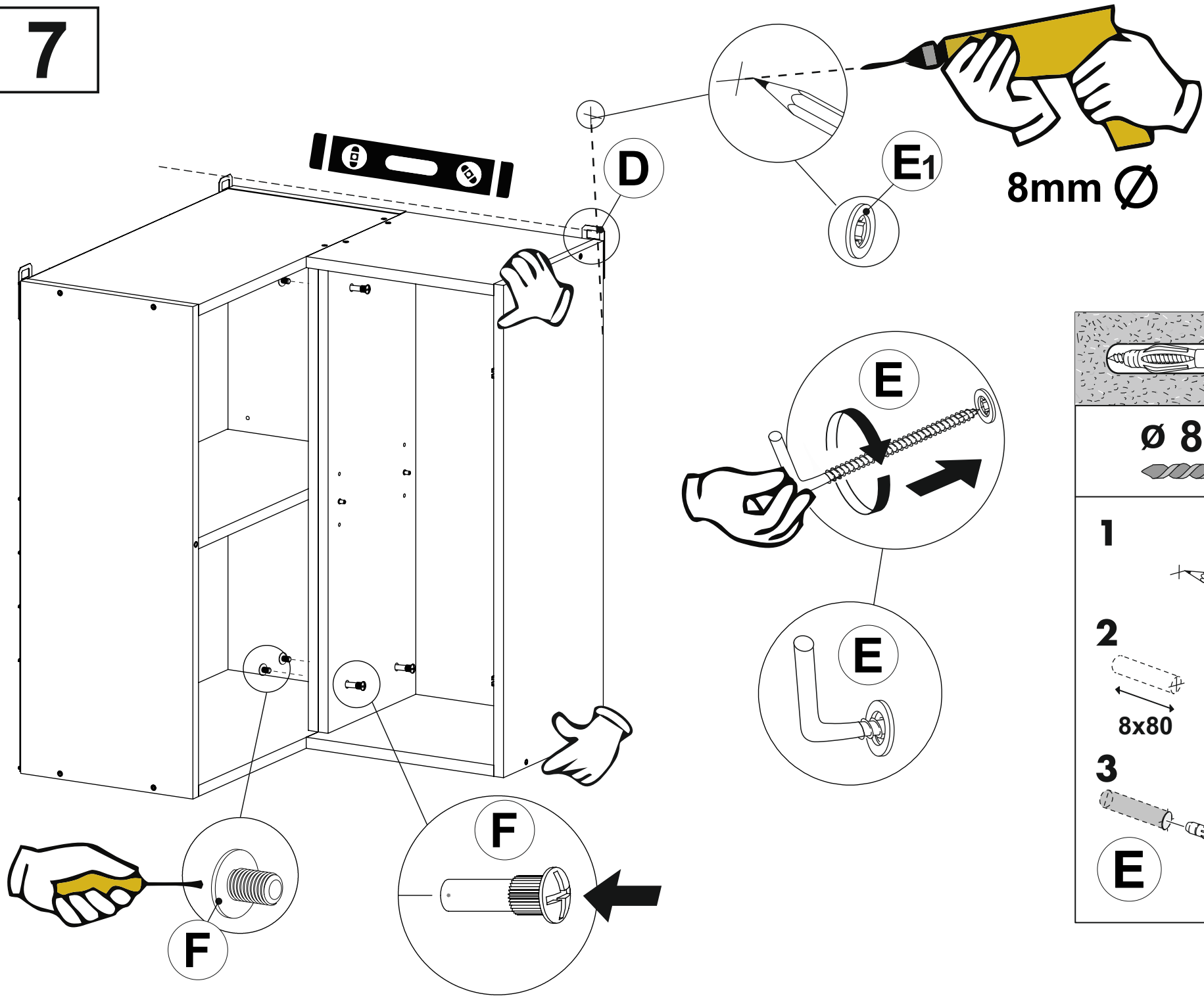
9



a=b



7

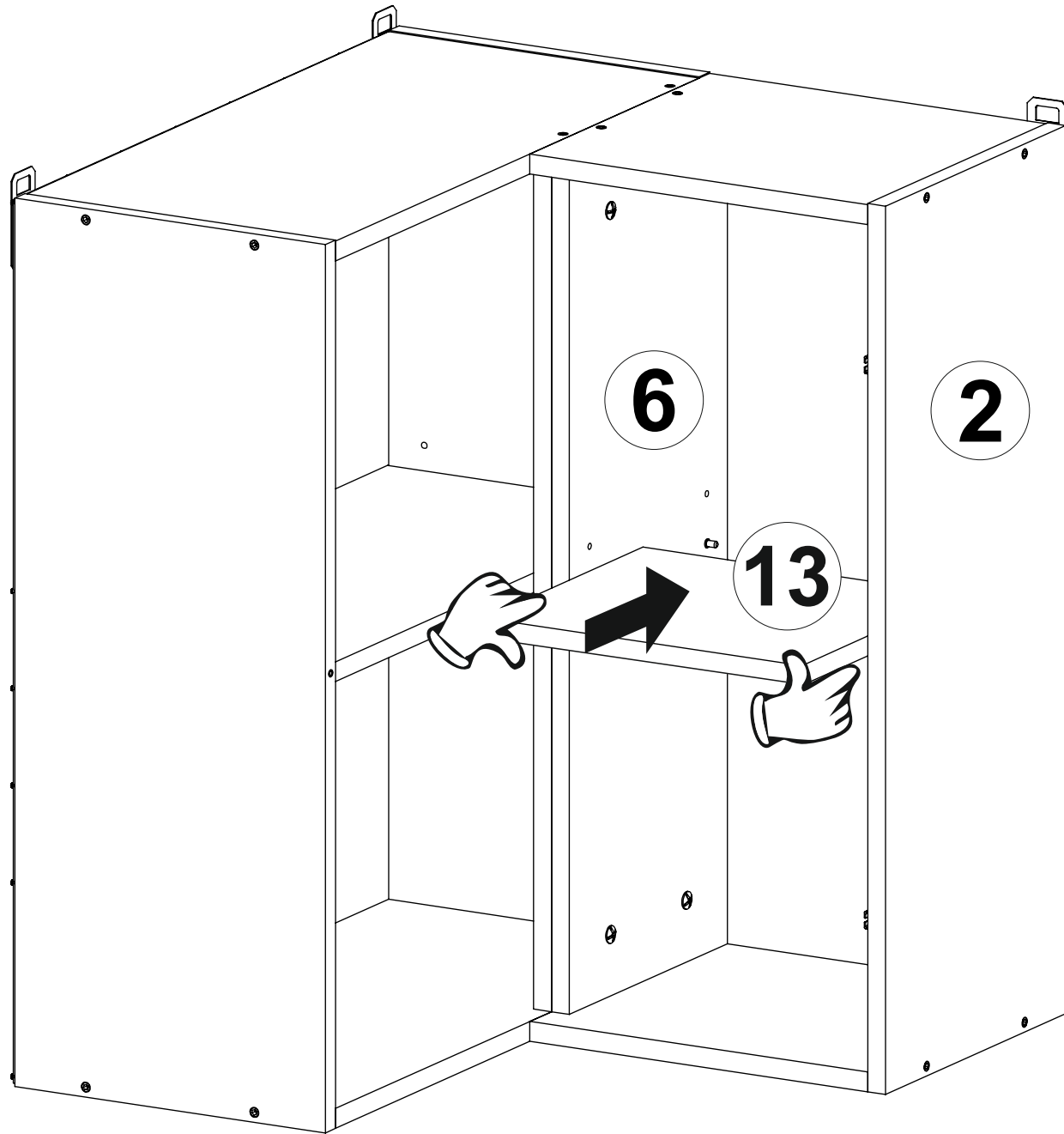


Ø 8 mm
8x80

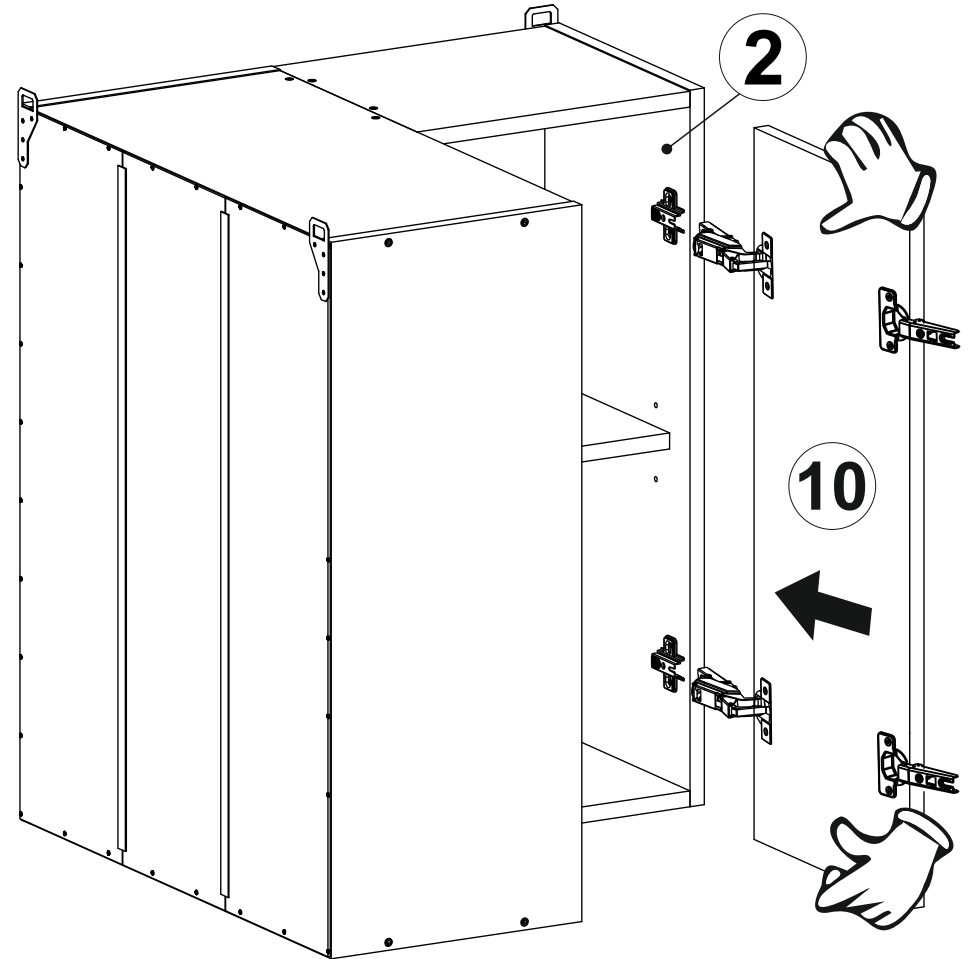
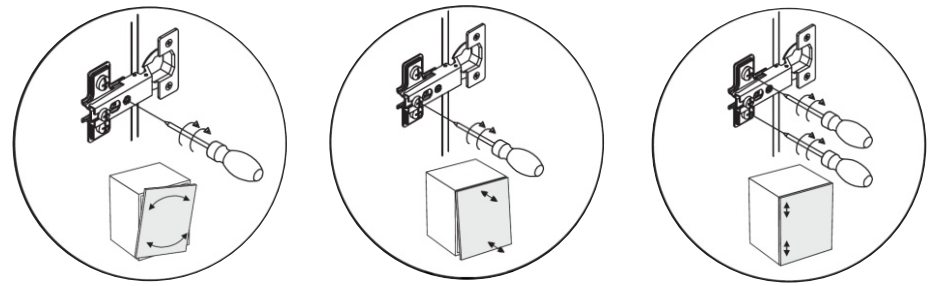
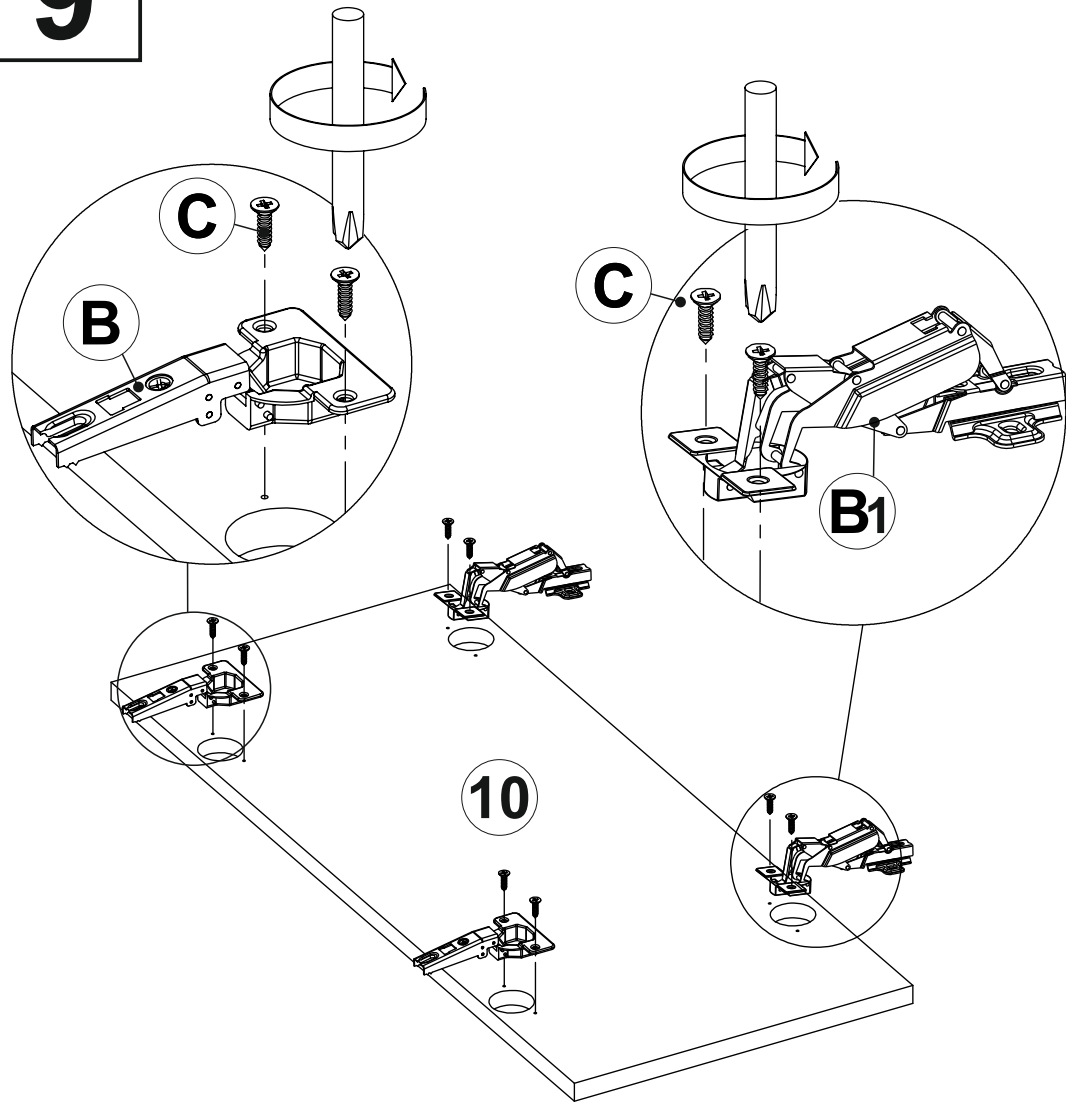
- 1
- 2
- 3

E

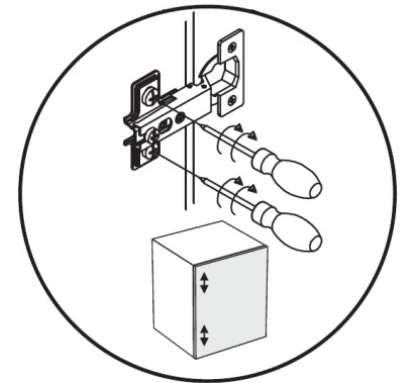
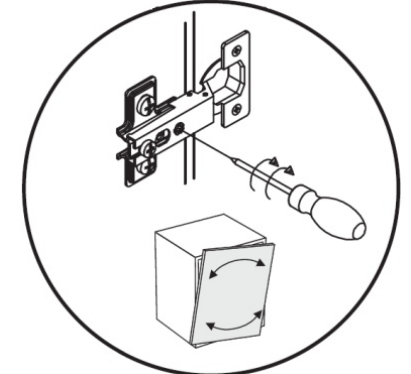
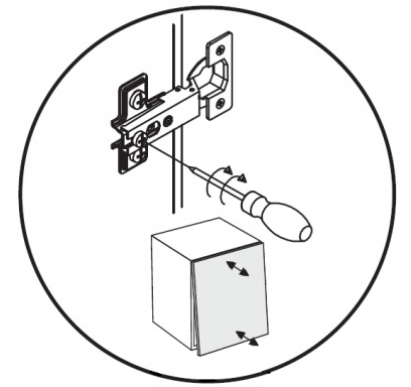
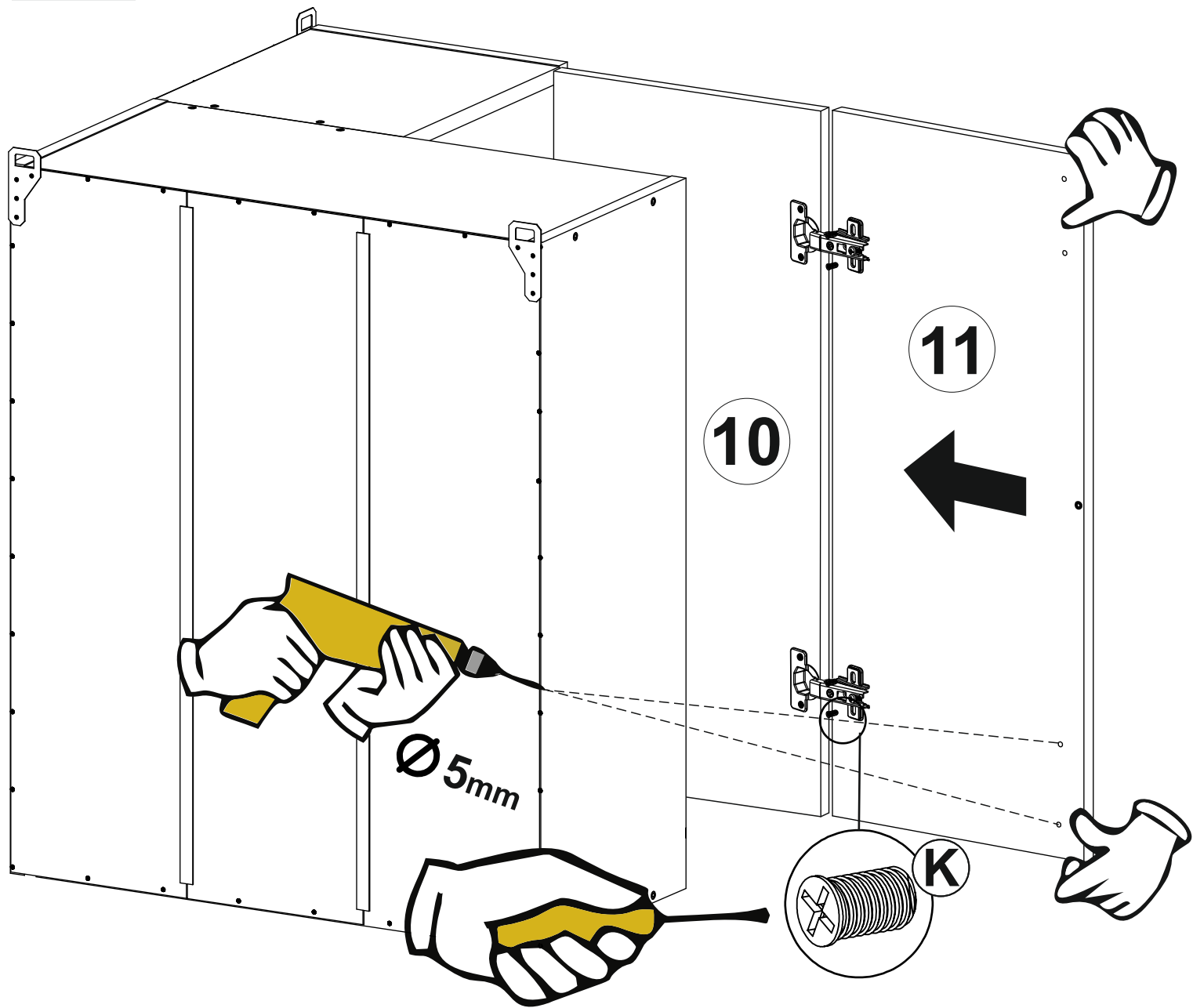
8



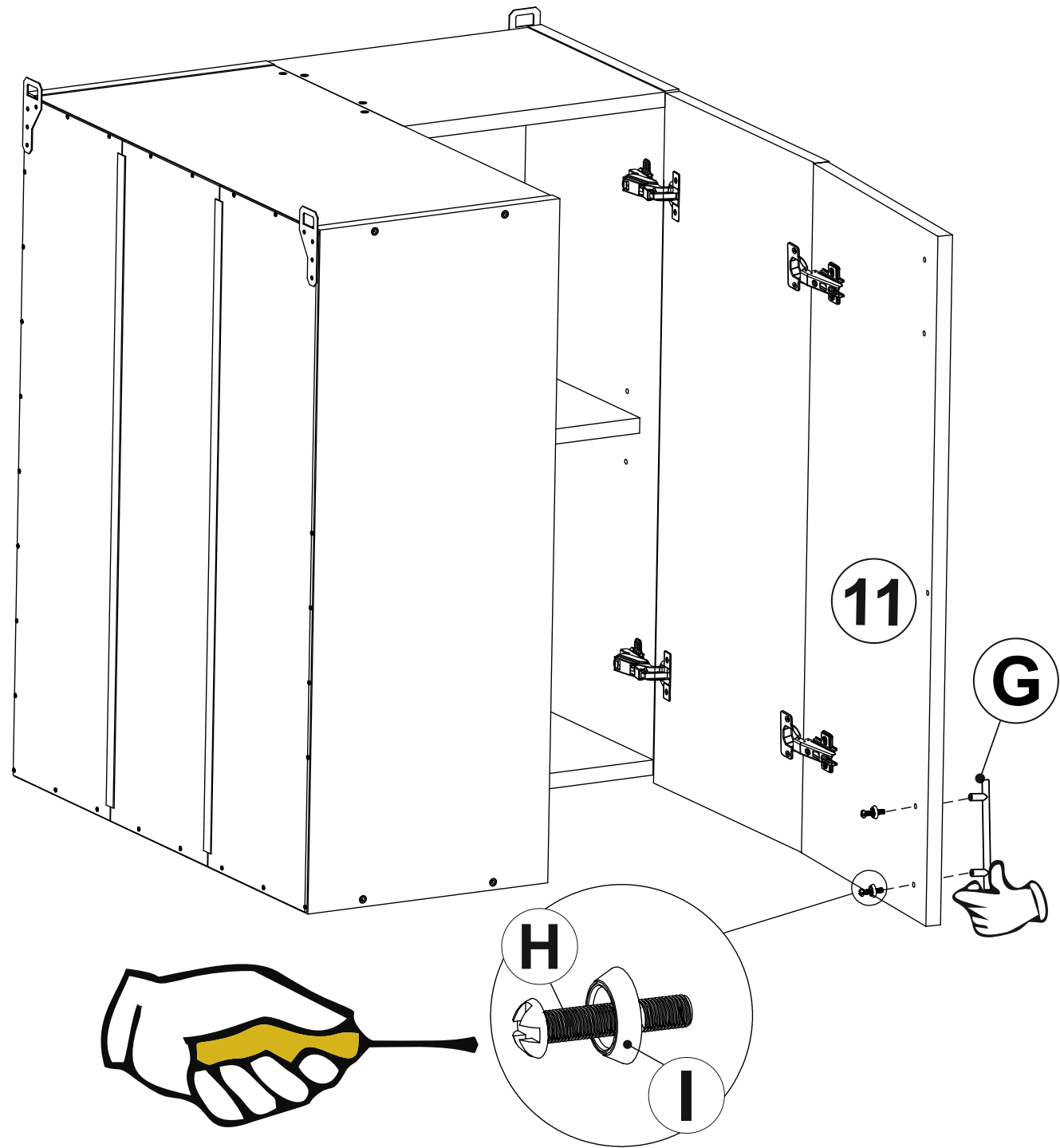
9



10



11



12

