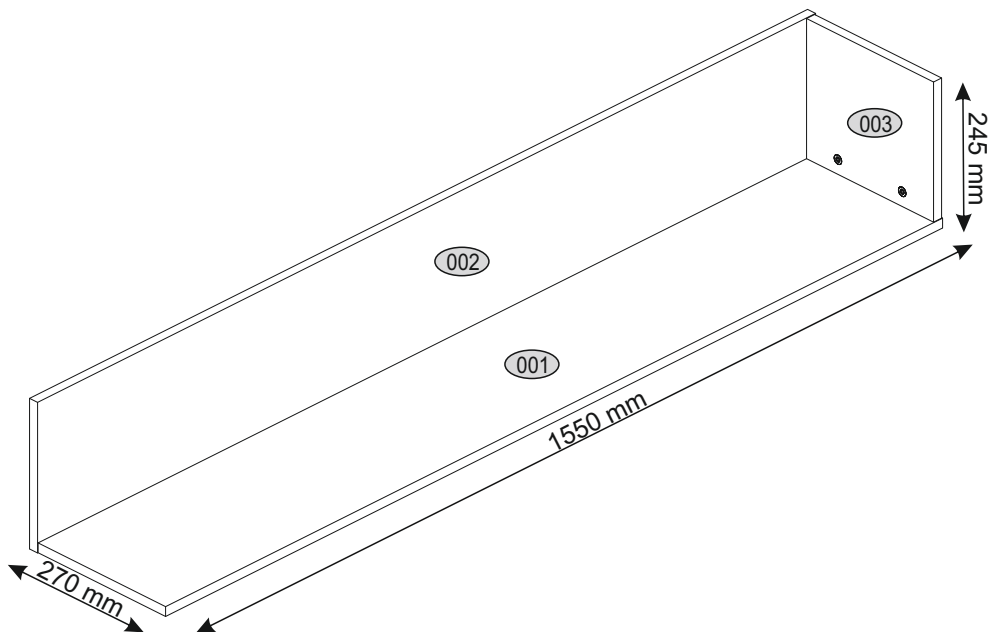
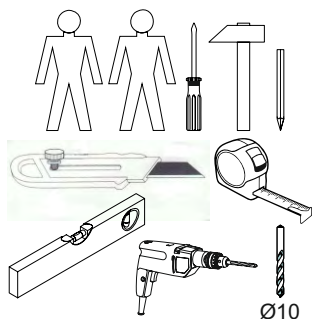
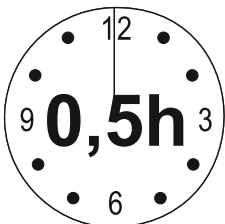


Installation manual

Shelf 155



| Code | Dimensions | | | | Package |
|-------------|------------|-----|----|---|---------|
| 001 | 1248 | 245 | 16 | 1 | 1/1 |
| 002 | 1550 | 245 | 16 | 1 | 1/1 |
| 003 | 228 | 253 | 16 | 1 | 1/1 |
| accessories | | | | 1 | 1/1 |

x8
e1

Ø 7x50mm



x8
f1

Ø 8x30mm



x2
s2



x3
g2



x2
r16



x6
e19

Ø6x9 mm



x2
r1



x3
e2

Ø6.3x13 mm



x1
z1



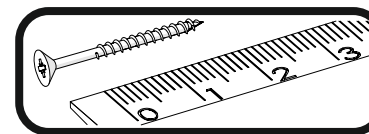
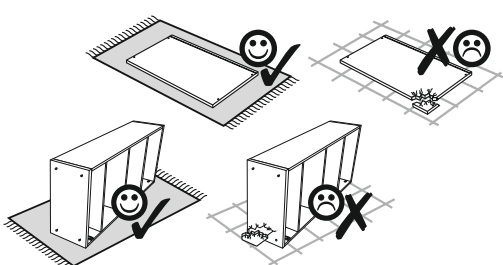
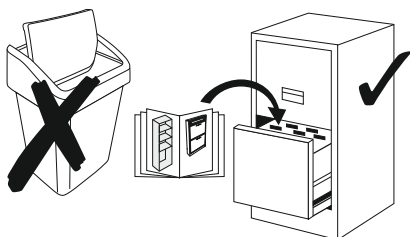
x3
f3

Ø10x50 mm

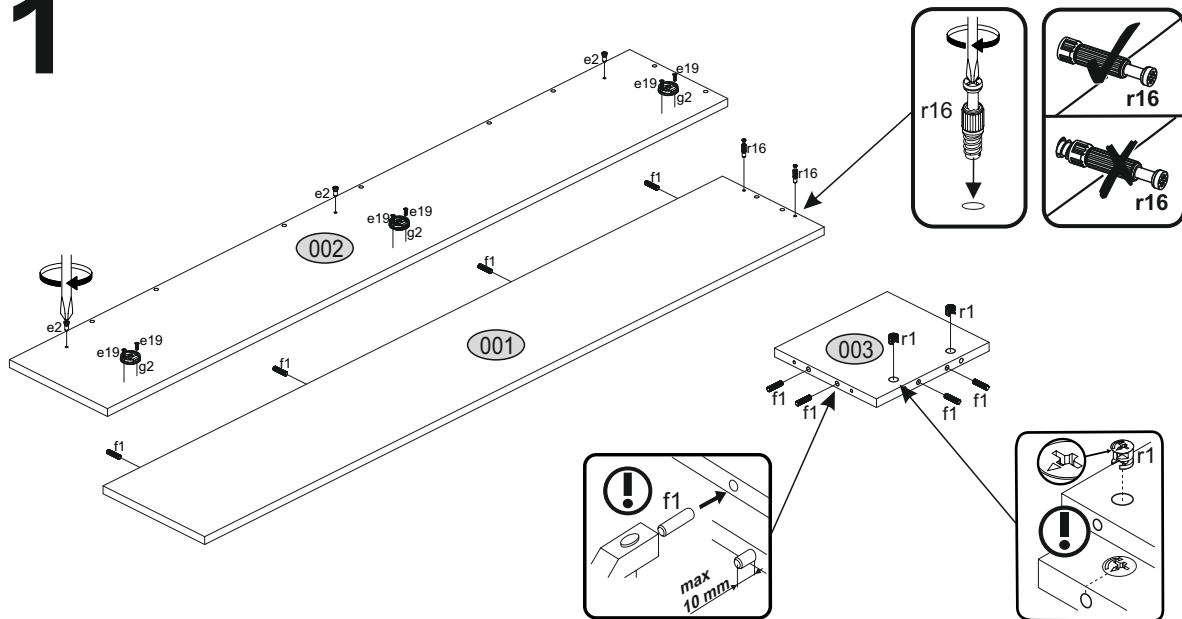


x3
p17

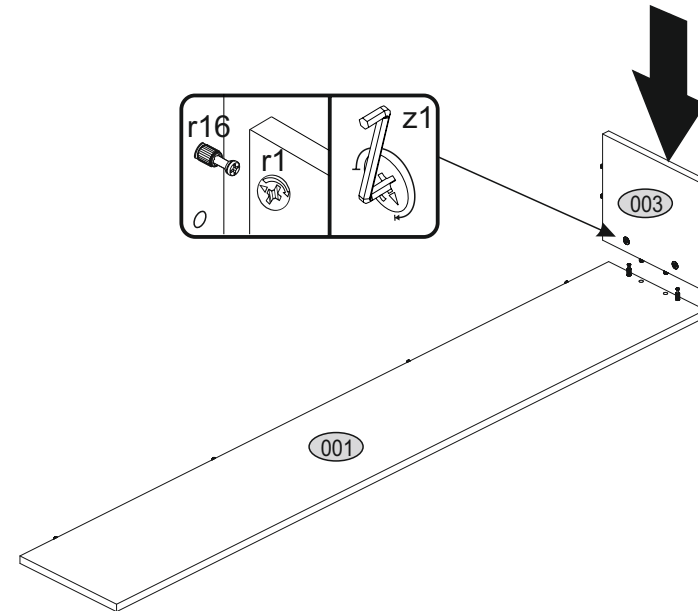
Ø 5x60 mm



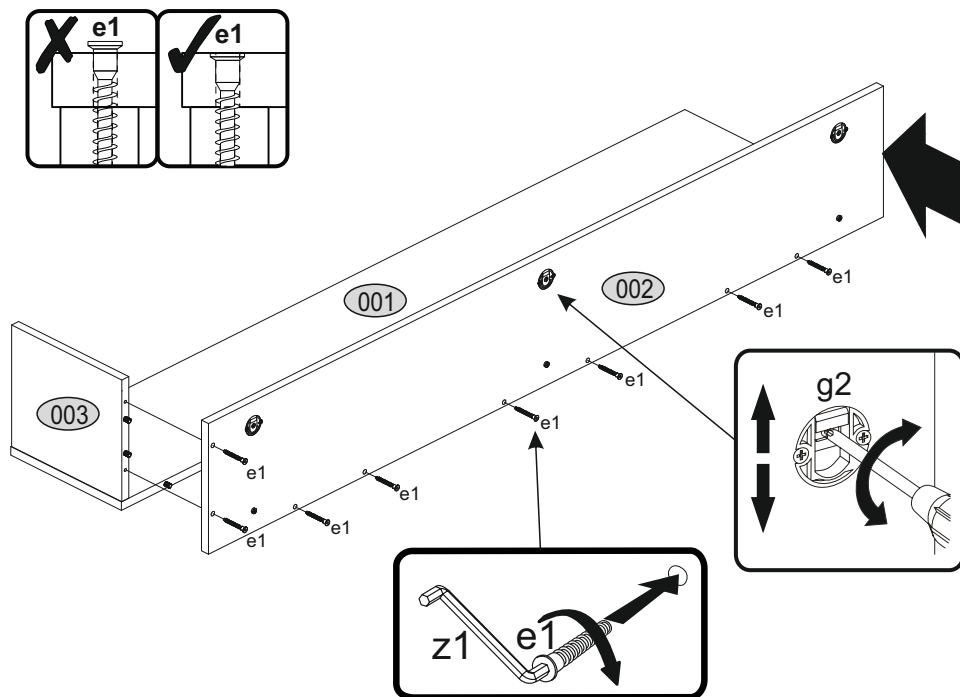
1



2



3



4

