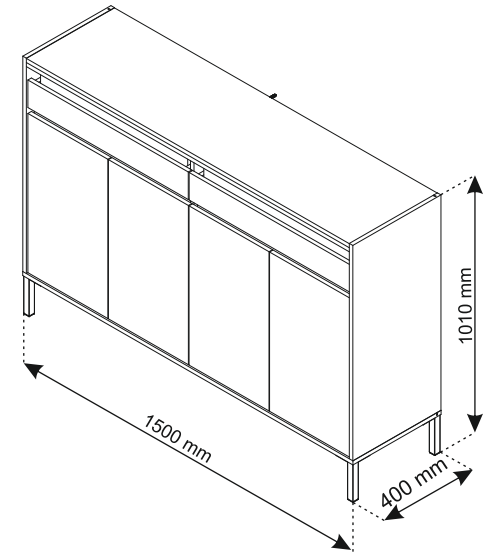
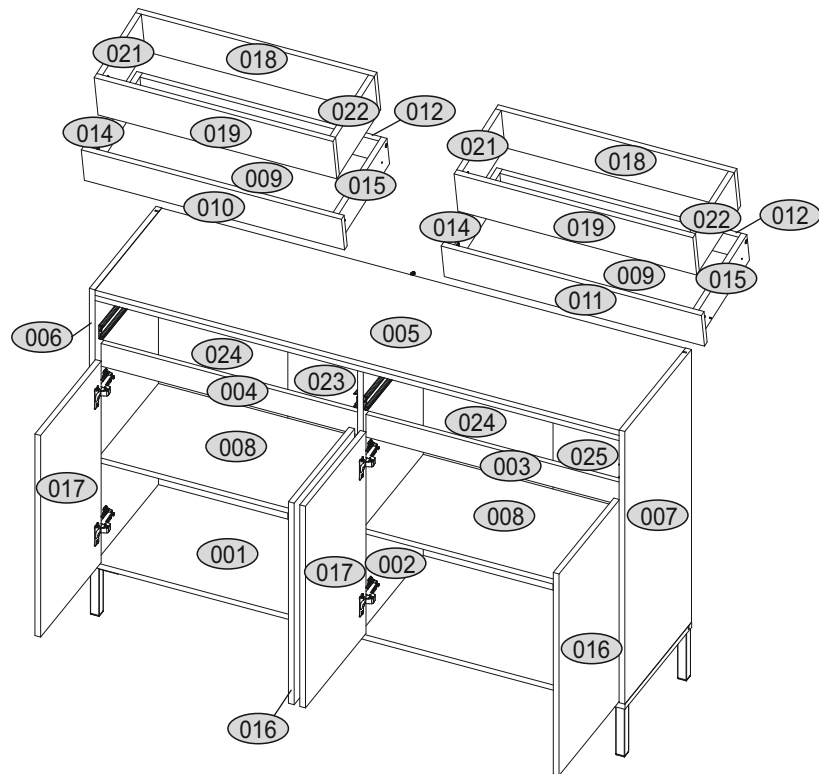
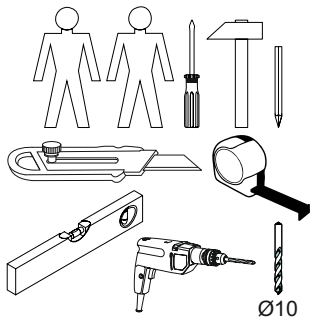
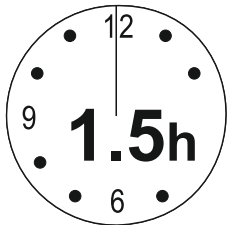
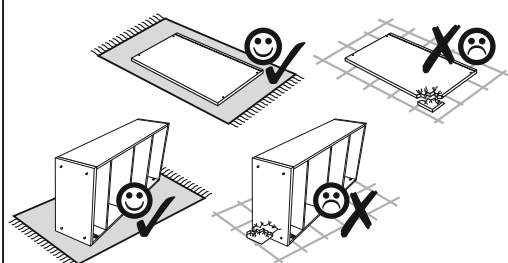
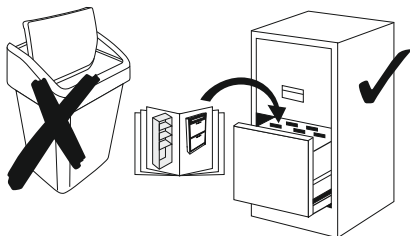


Installation manual





Palmor Chest 4D2S

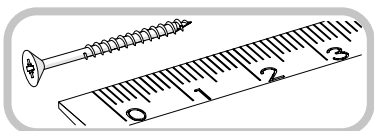


Code	Dimensions			Package	
001	1499	400	16	1	2/2
002	827	360	16	1	1/2
003	725	70	16	1	1/2
004	725	70	16	1	1/2
005	1466	400	16/32	1	2/2
006	844	400	16	1	1/2
007	844	400	16	1	1/2
008	725	360	16	2	2/2
009	284	668	16	2	1/2
010	728	108	16	1	1/2
011	728	108	16	1	1/2
012	668	90	16	2	1/2
014	300	90	16	2	1/2
015	300	90	16	2	1/2
016	624	363	16	2	2/2
017	624	363	16	2	2/2
018	668	132	16	2	1/2
019	668	132	16	2	1/2
021	236	132	16	2	1/2
022	236	132	16	2	1/2
023	845	371	3	1	2/2
024	845	371	3	2	2/2
025	845	371	3	1	2/2
accessories				1	1/2

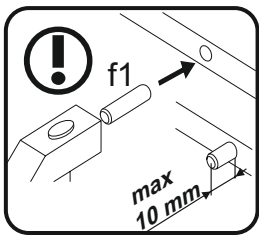
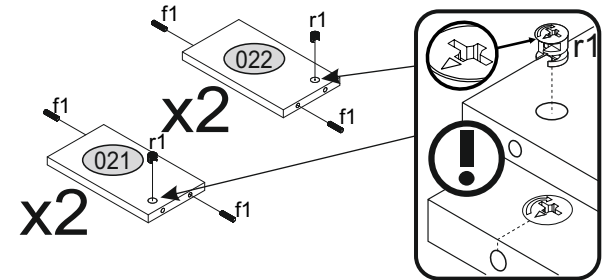
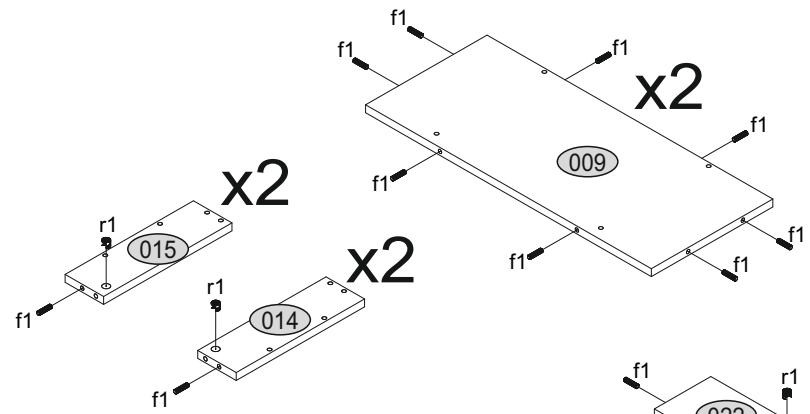
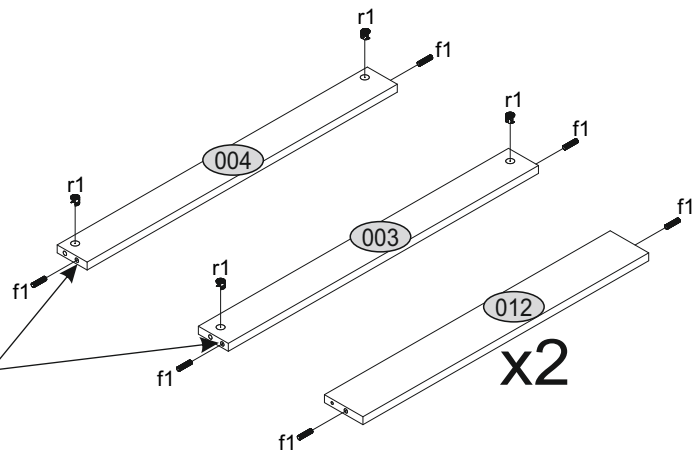
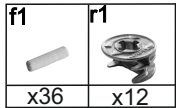


Accessories:

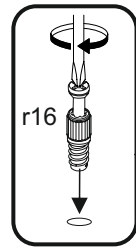
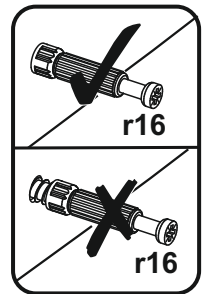
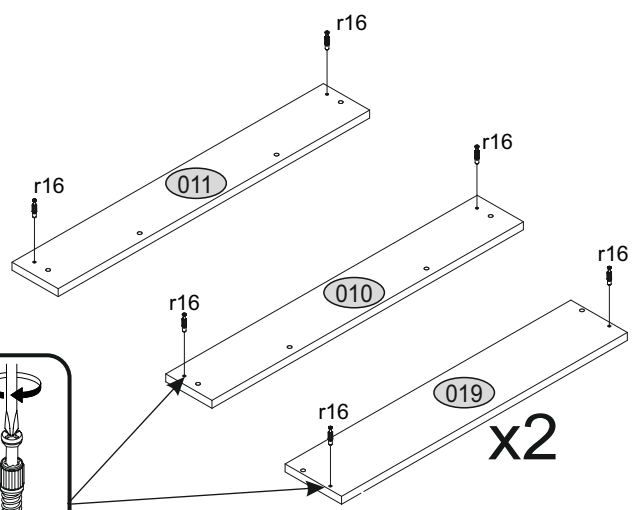
<p>2x lb L-300</p> 	<p>5x k311.054</p> 	<p>4x a143</p> 	<p>4x a145</p> 
<p>8x b119</p> 	<p>1x n14</p> 	<p>1x p17</p> <p>Ø6x50</p> 	<p>1x f3</p> <p>Ø10x50</p> 
<p>22x e1</p> <p>Ø7x50</p> 	<p>18x r1</p> <p>Ø15x12</p> 	<p>12x l2</p> 	<p>18x r16</p> <p>Ø5x24</p> 
<p>48x f1</p> <p>Ø8x30</p> 	<p>77x p25</p> <p>Ø3.5x16</p> 	<p>3x n260.01</p> 	<p>4x s2</p> 
<p>8x d1</p> <p>Ø5x16</p> 	<p>1x z1</p> 		



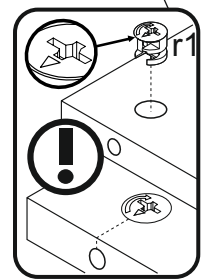
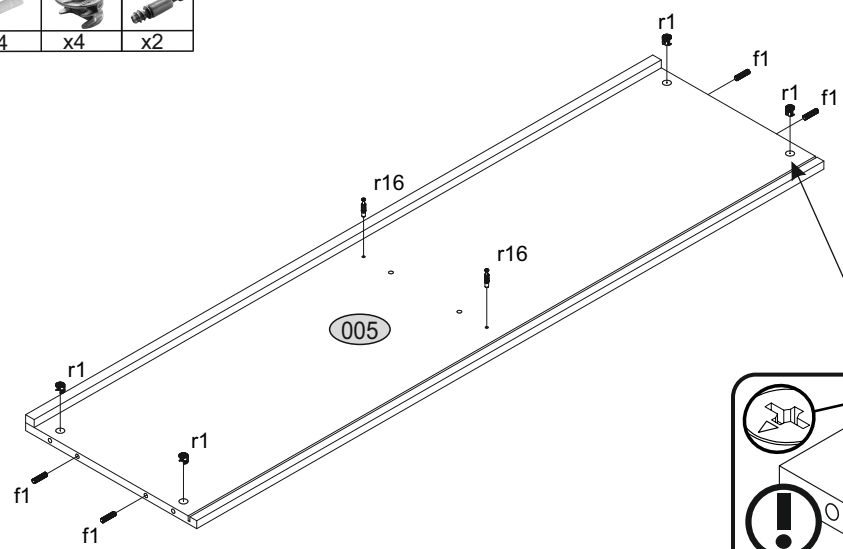
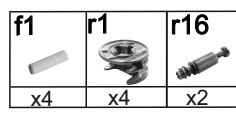
1



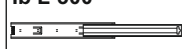


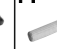



2

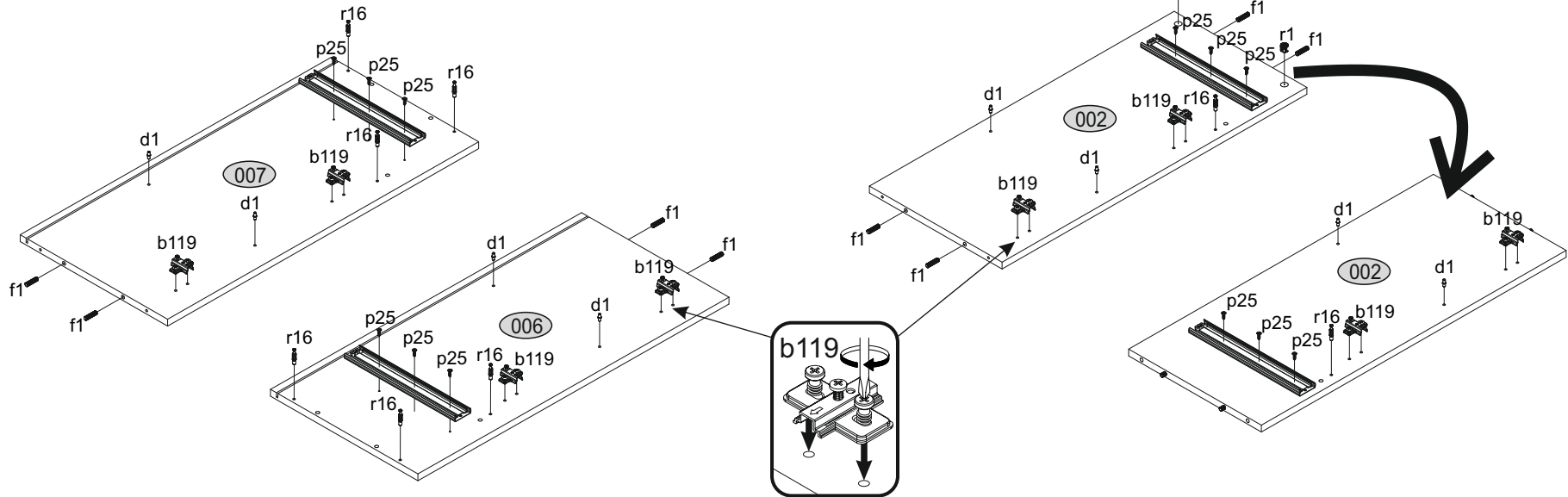


3






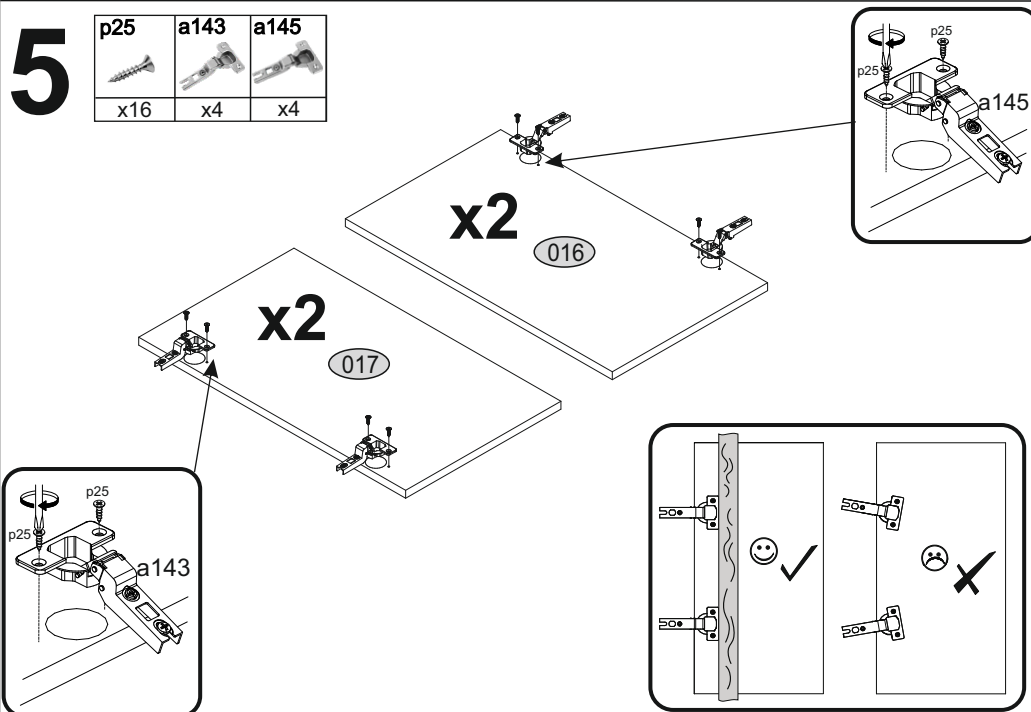
4

lb L-300	p25	r16	f1	r1	d1	b119
						
x2	x12	x8	x8	x2	x8	x8



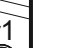


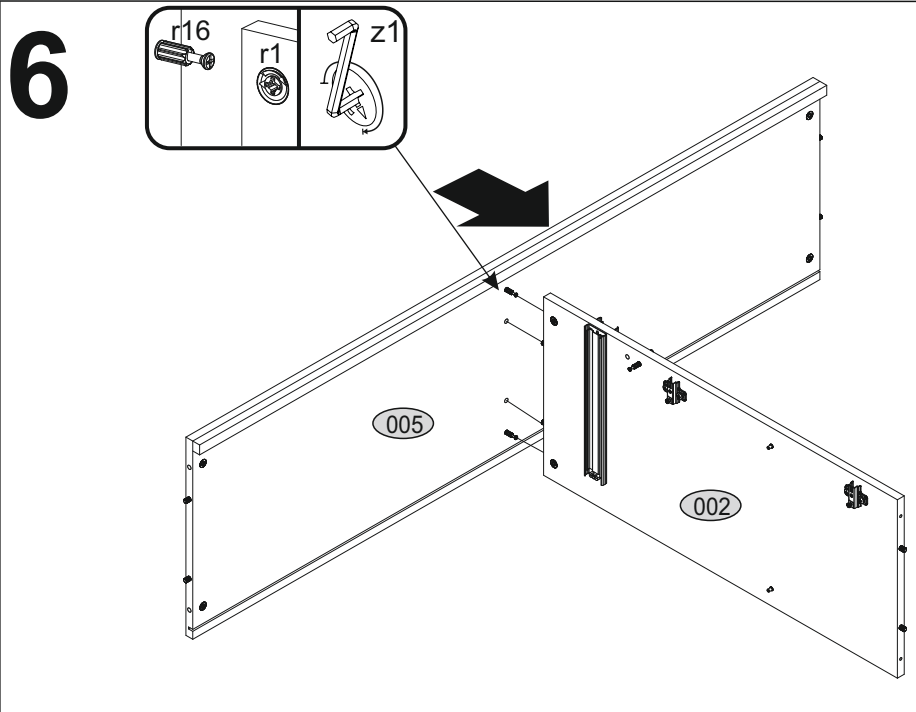
5

p25	a143	a145
		
x16	x4	x4

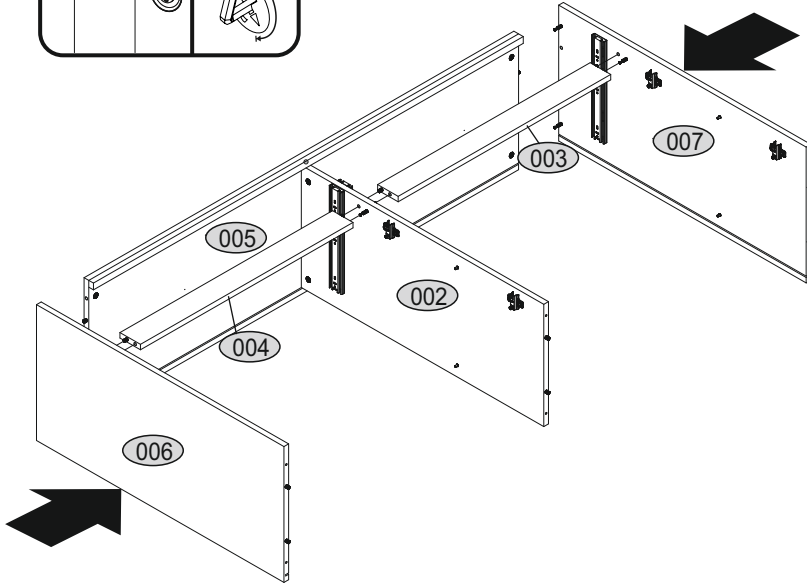
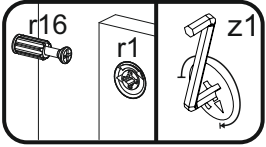


6

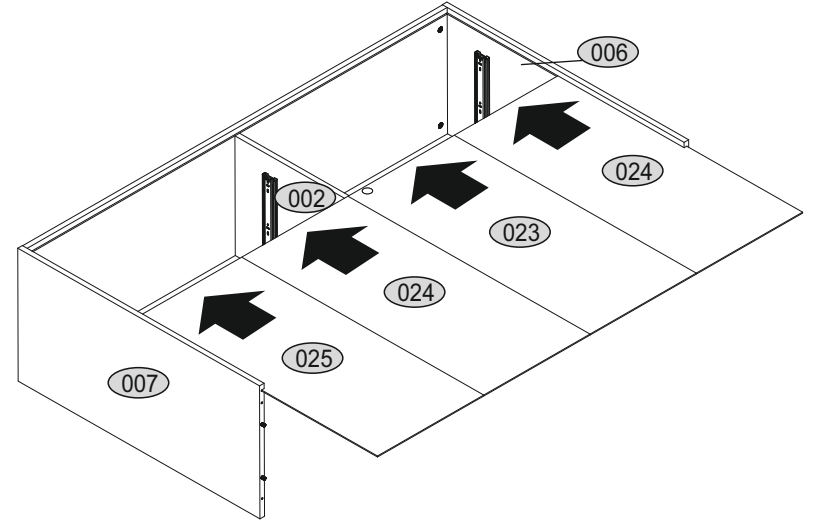
r16	r1	z1
		
x1	x1	x1



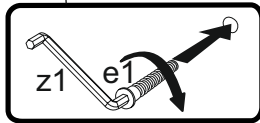
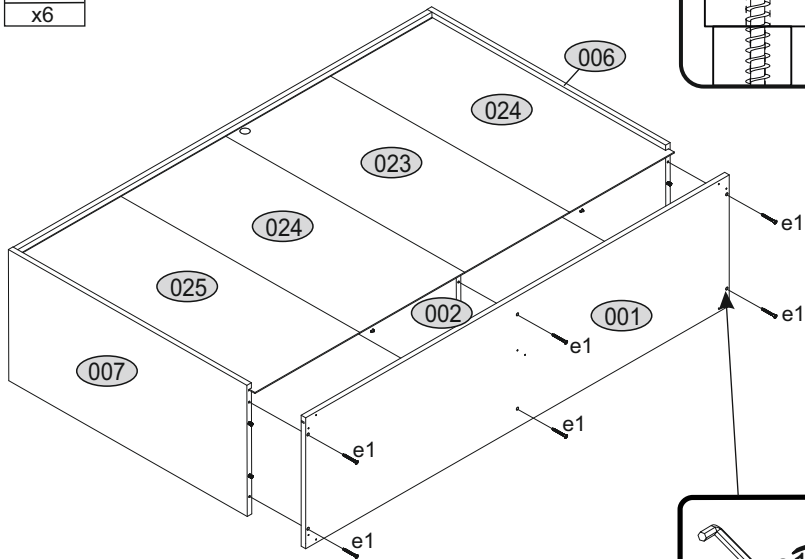
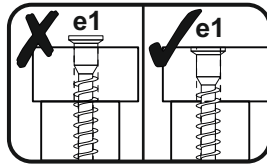
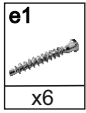
7



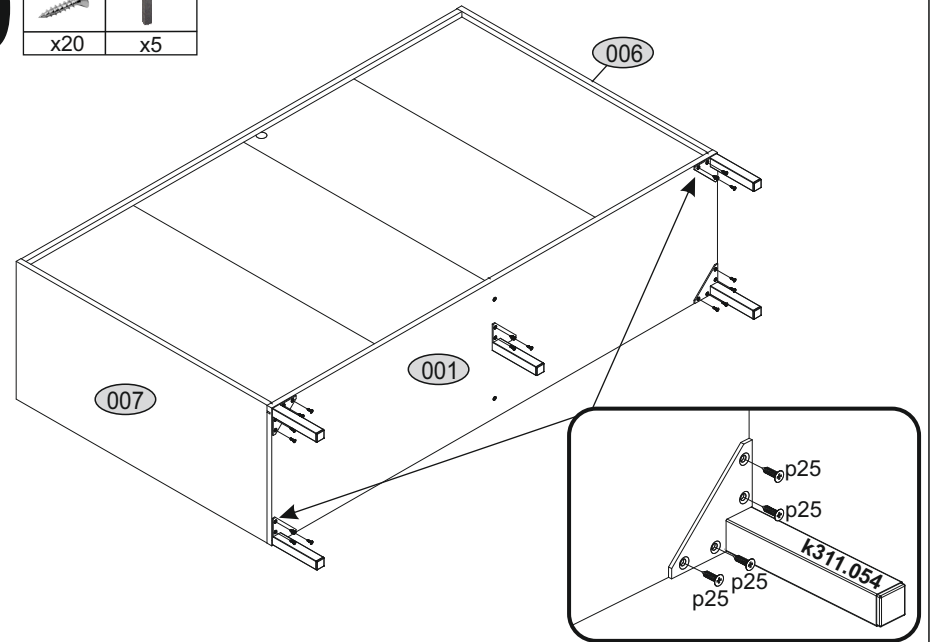
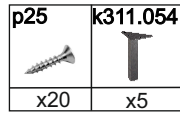
8



9

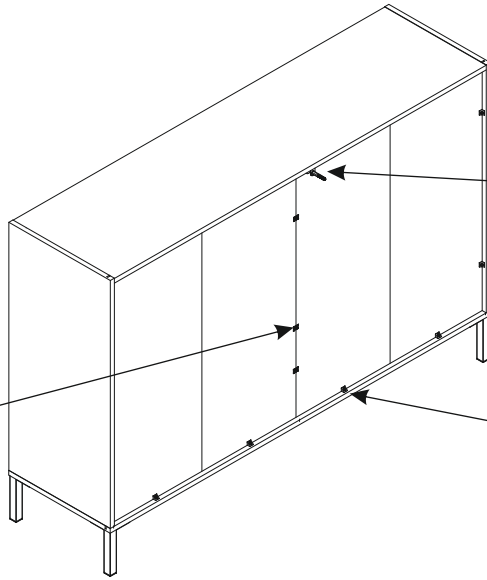
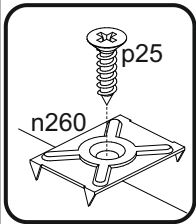
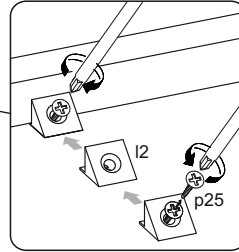
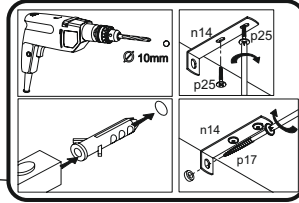
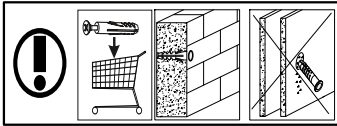


10



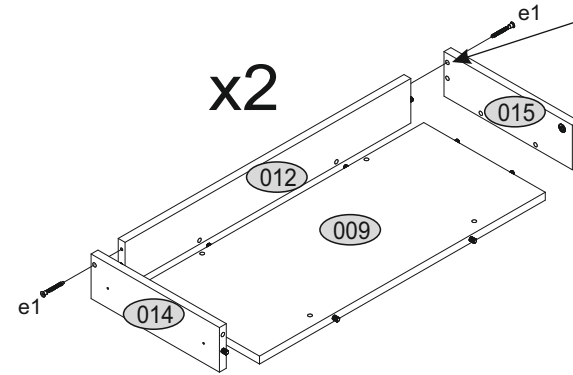
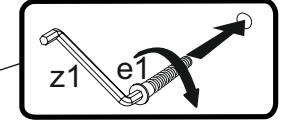
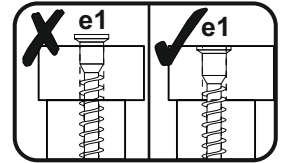
11

p25	n14	f3	p17	l2	n260.01
x17	x1	x1	x1	x12	x3



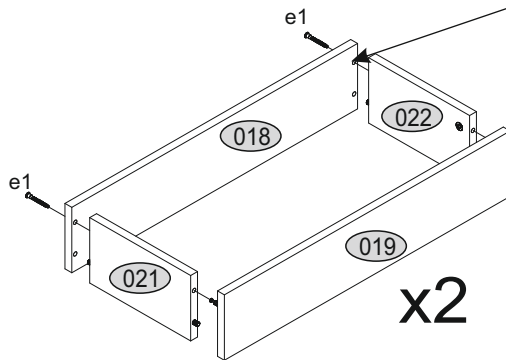
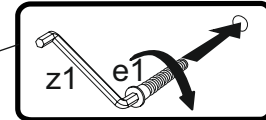
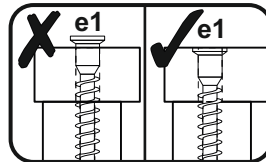
12

e1
x4



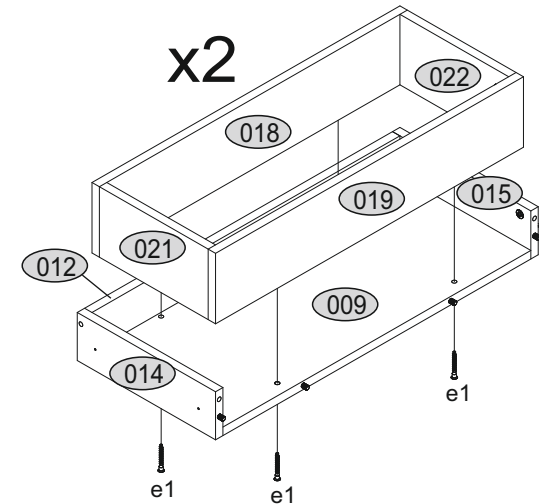
13

e1
x4

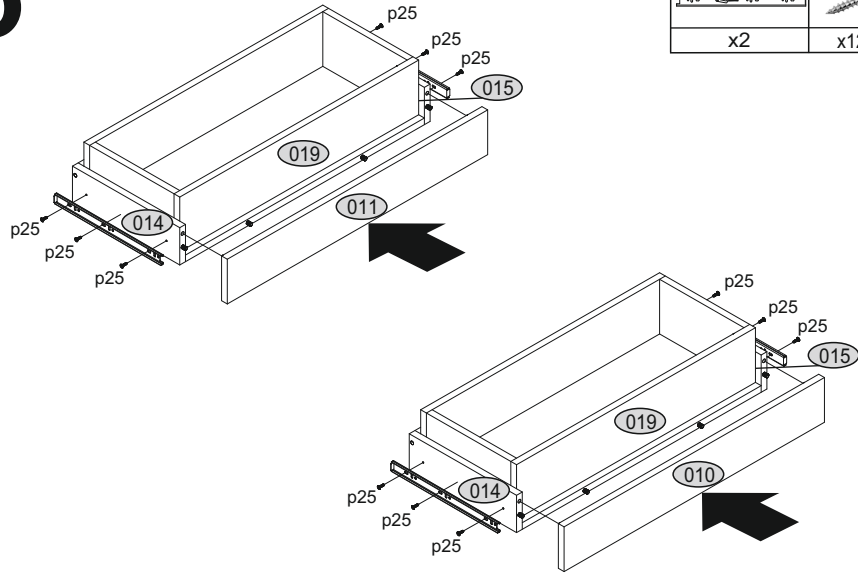


14

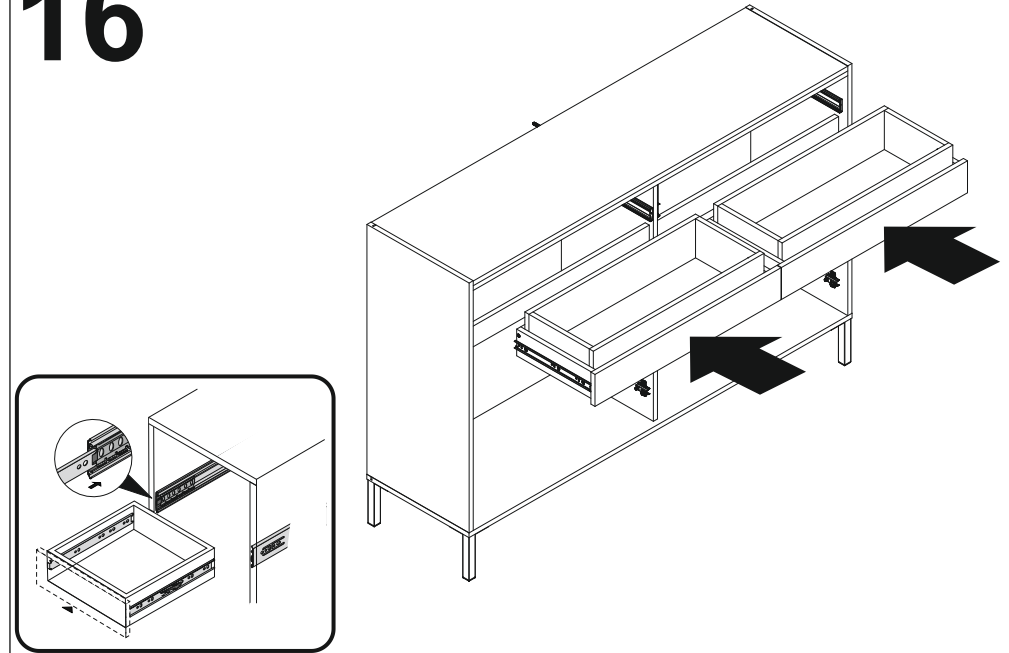
e1
x8



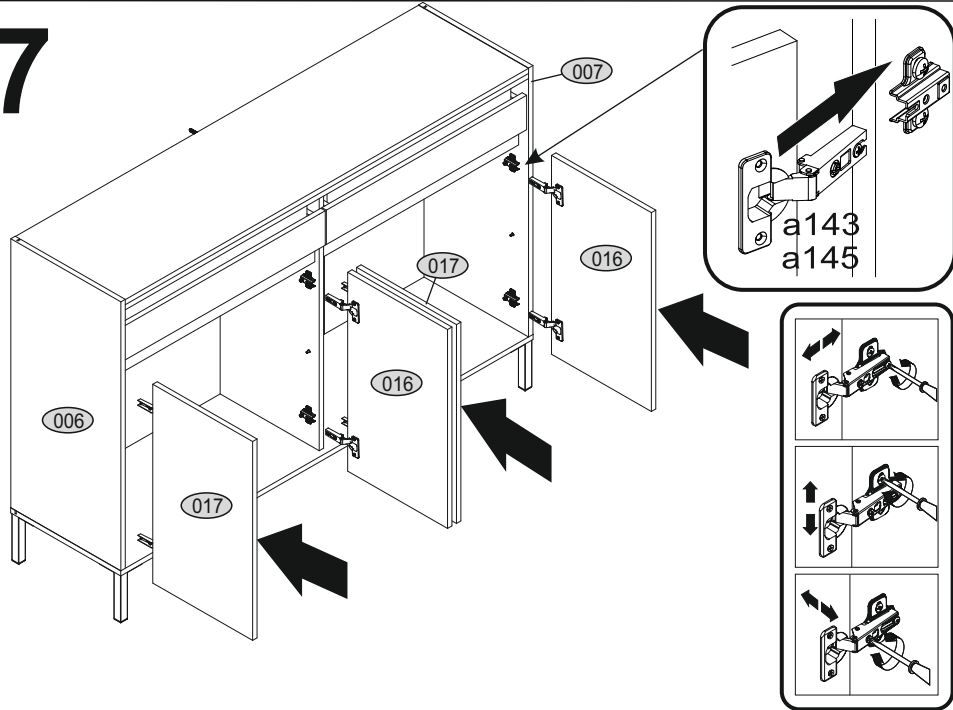
15



16



17



18

