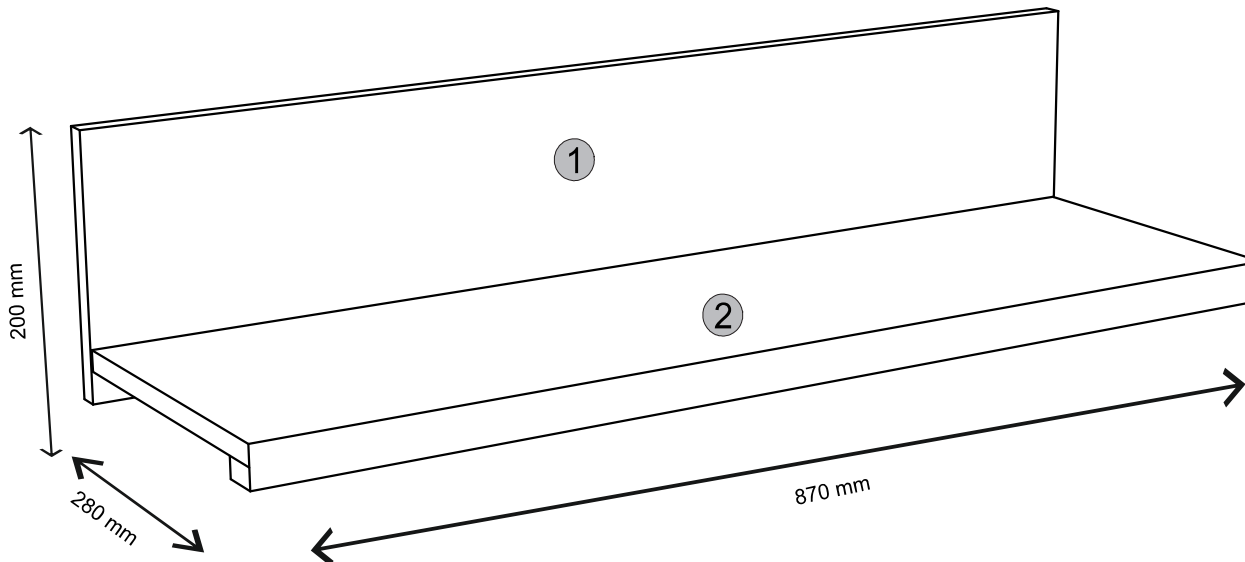
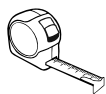
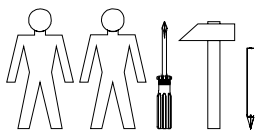


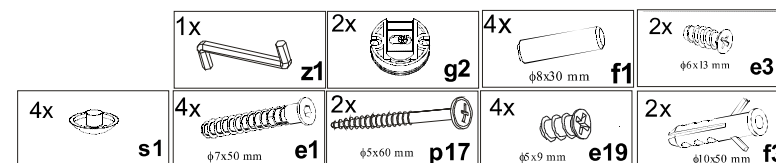
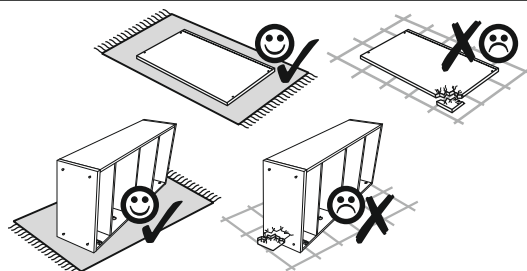
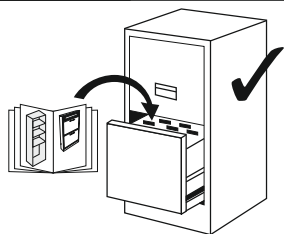


Instalation manual

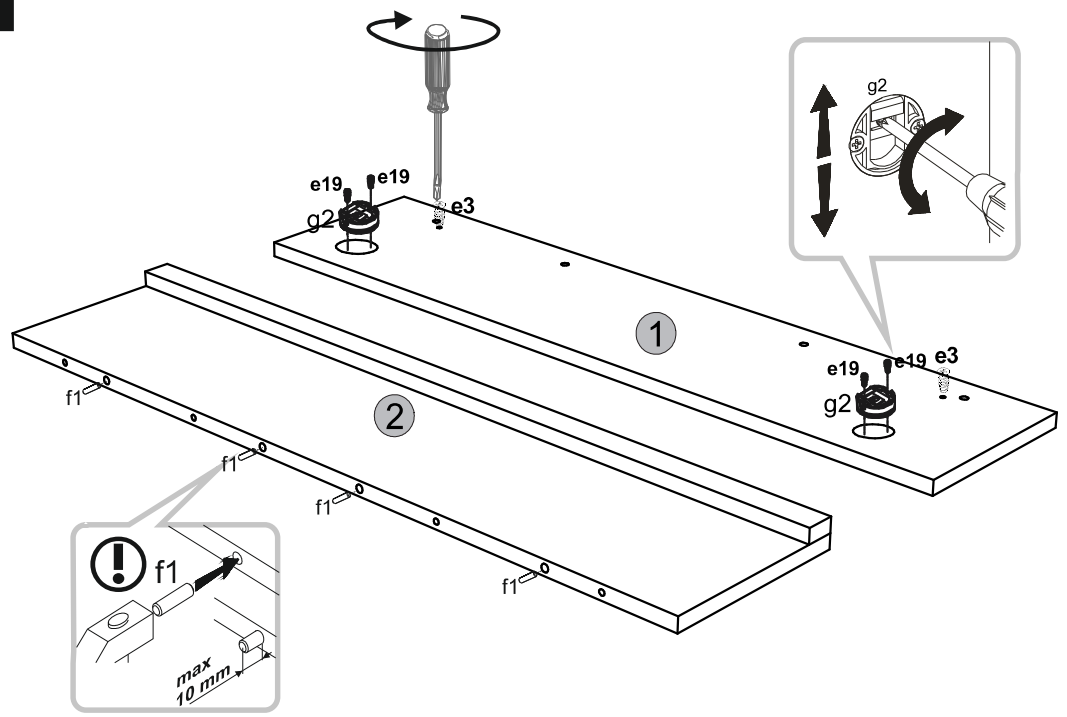
NORTON: POL_90



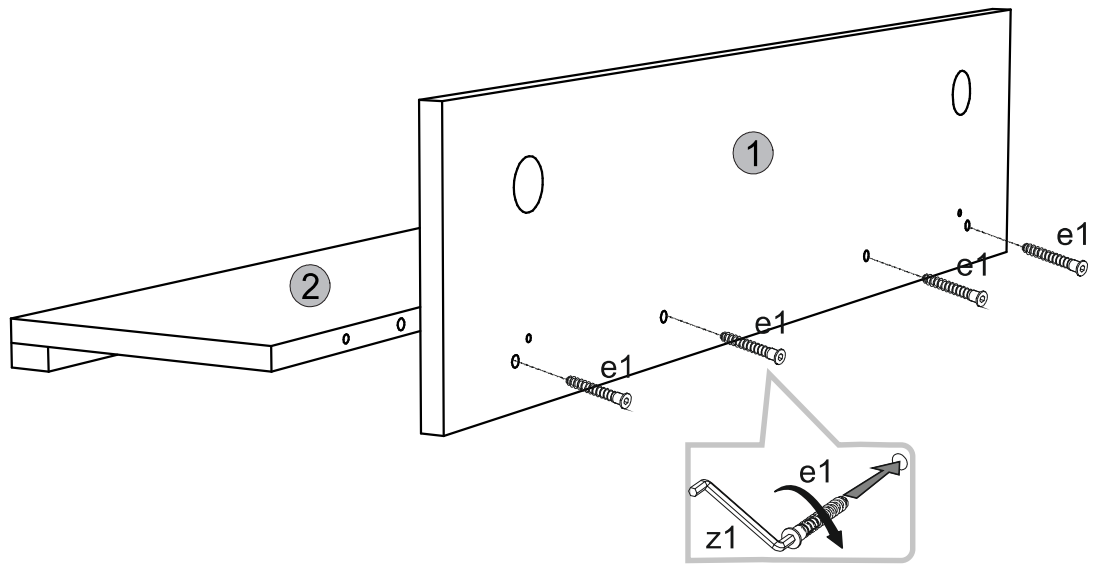
Element symbol	Dimensions				Code	Package
	870	200	16	1		
1	870	200	16	1	K-101	1/1
2	868	204	16\32	1	K-301	1/1



1



2



3

