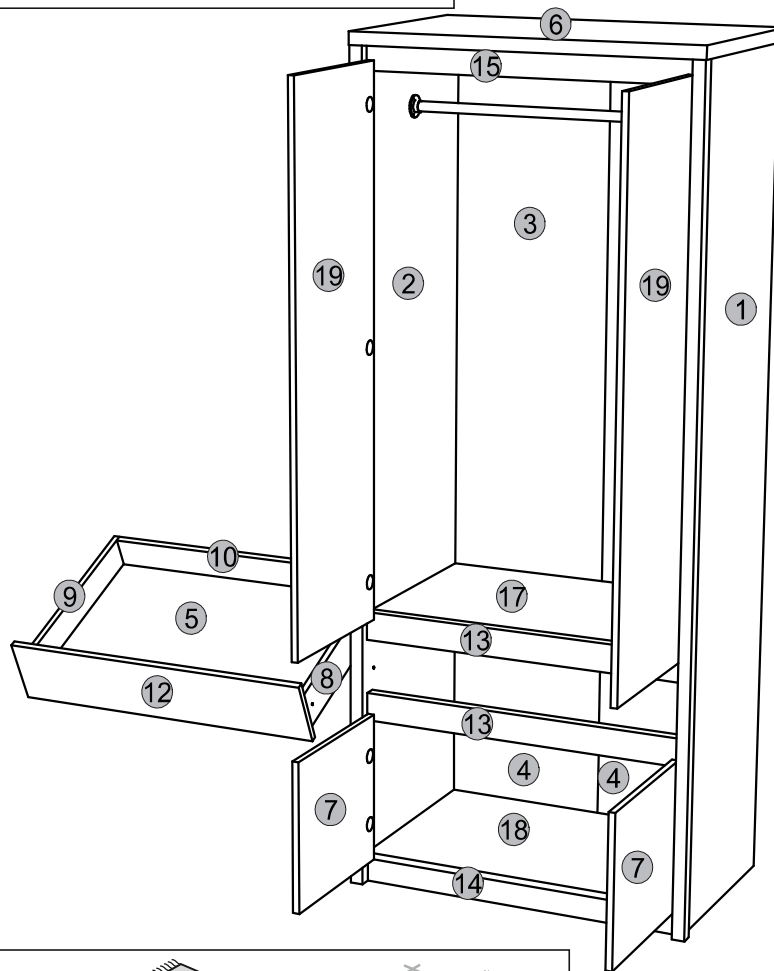
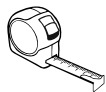
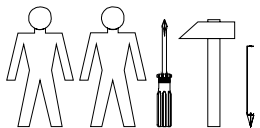


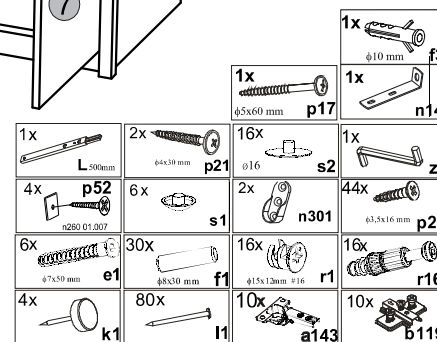
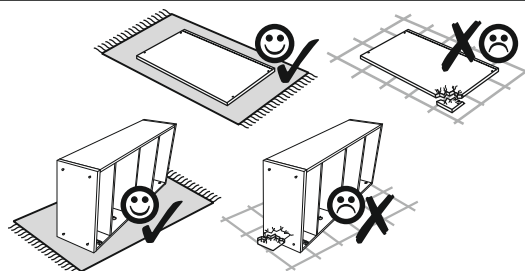
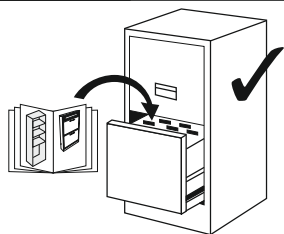
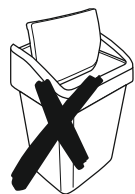


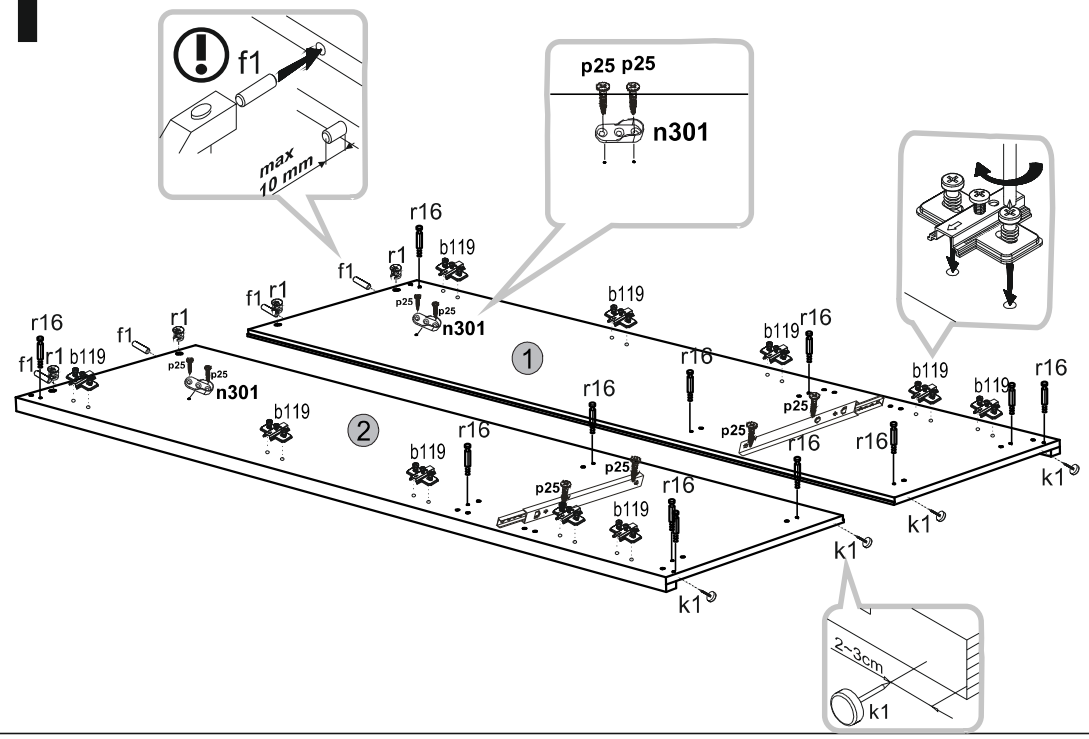
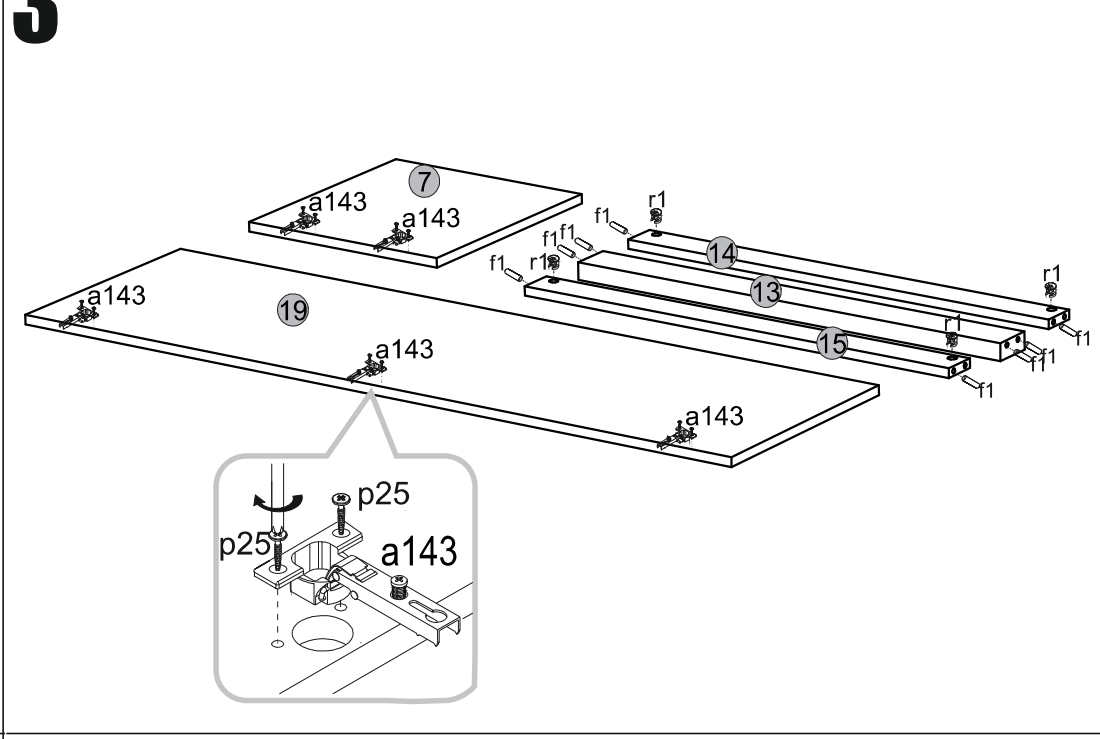
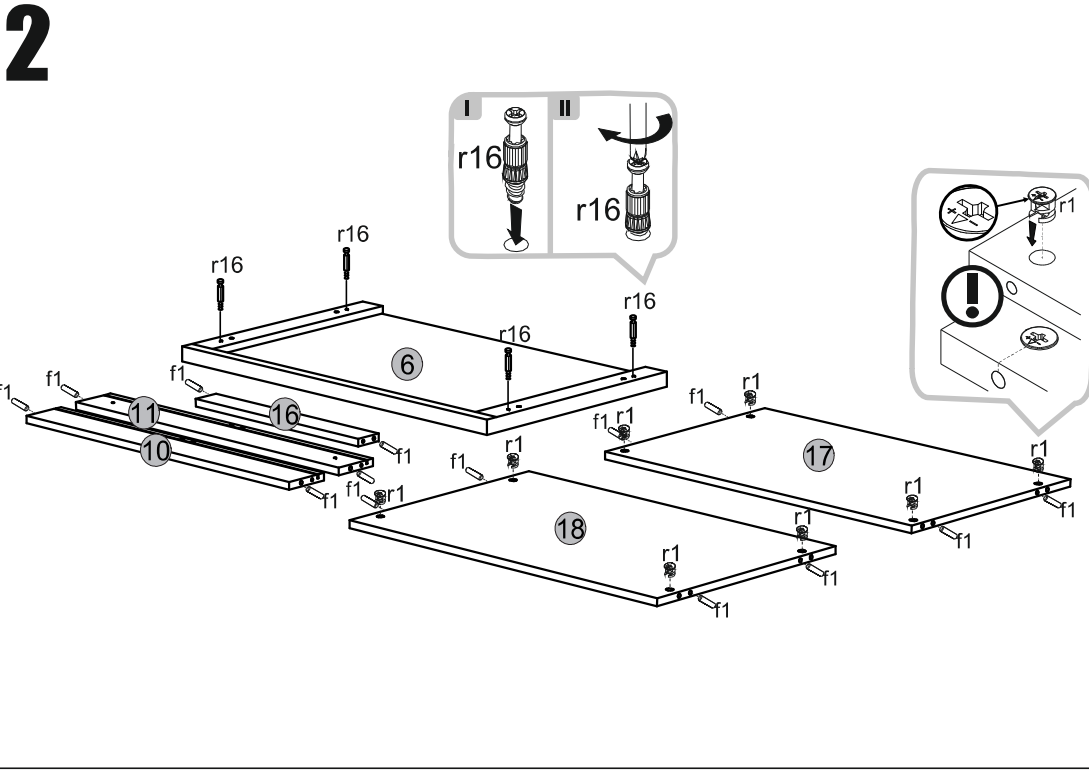
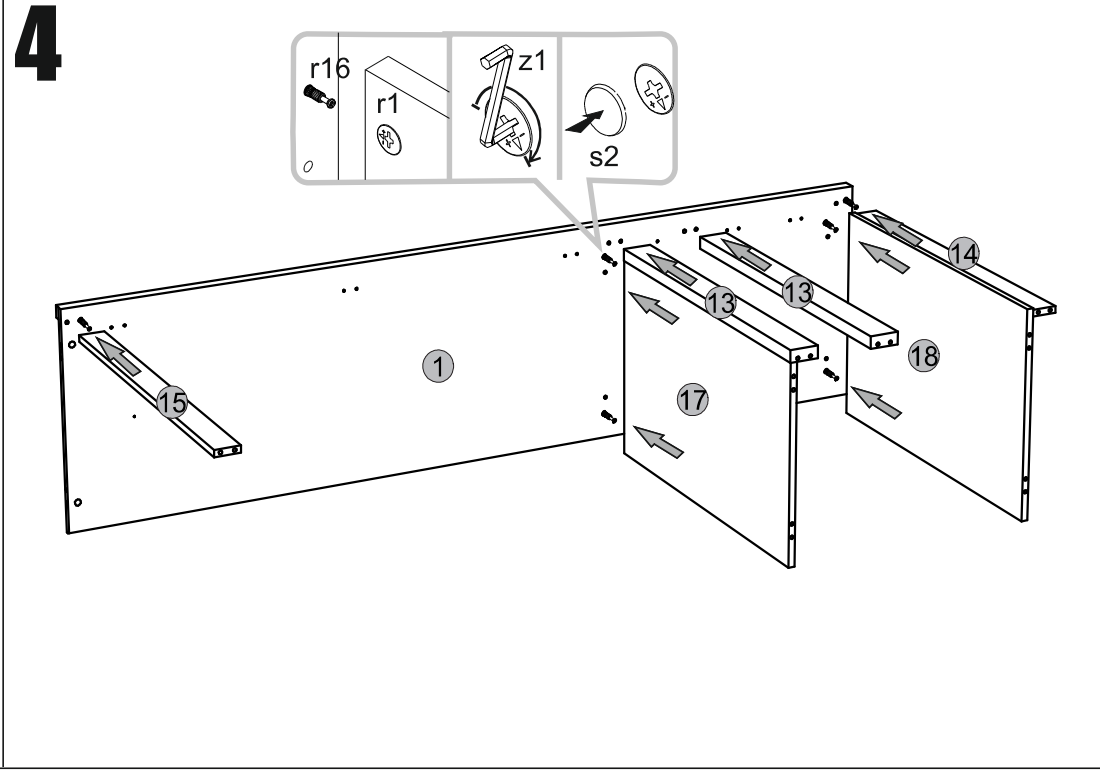
Instalation manual

NORTON: SZF_4D1S

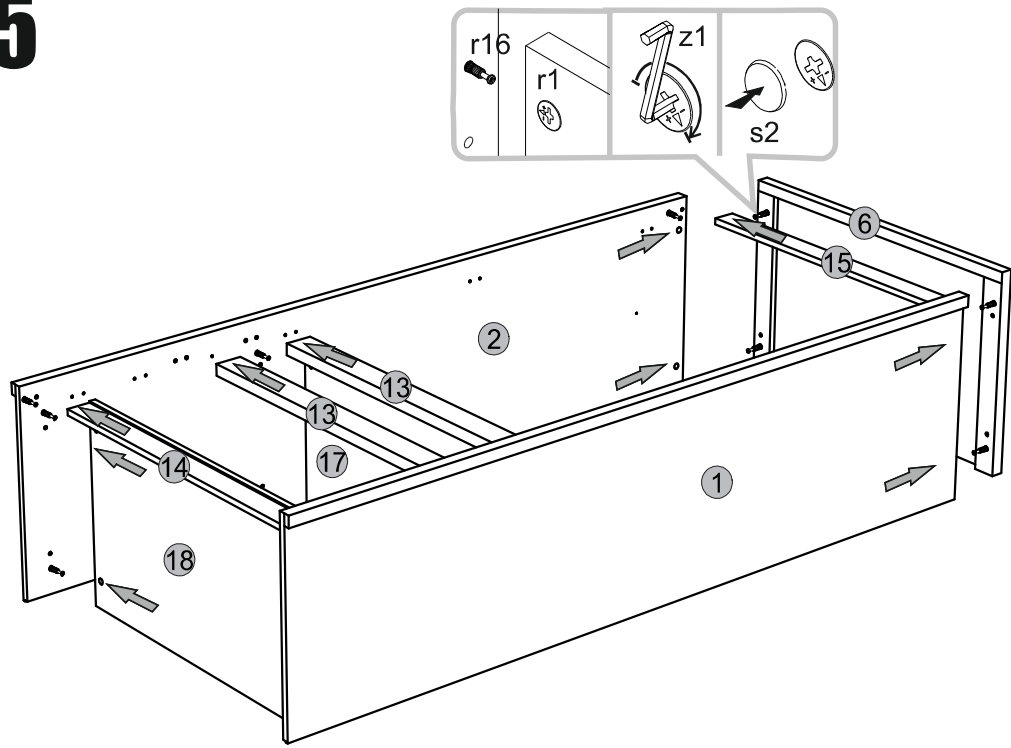


Element symbol	Dimensions				Code	Package
1	2068	548	16/32	1	K-126	1/1
2	2068	548	16/32	1	K-127	1/1
3	1407	415	3	2	K-615	1/1
4	626	415	3	2	K-616	1/1
5	771	482	3	1	K-617	1/1
6	880	550	16/32/32	1	K-208	2/2
7	376	403	16	2	K-008	4/4
8	500	100	16	1	K-521	2/2
9	500	100	16	1	K-522	2/2
10	757	100	16	1	K-523	2/2
11	757	100	16	1	K-524	2/2
12	170	808	16	1	K-013	4/4
13	70	814	30	2	K-417	2/2
14	60	814	16	1	K-418	2/2
15	60	814	16	1	K-419	2/2
16	60	468	16	1	K-420	2/2
17	814	489	16	1	K-318	2/2
18	814	519	16	1	K-319	2/2
19	1354	403	16	2	K-009	3/3

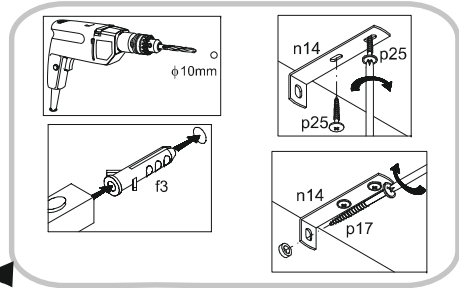


1**3****2****4**

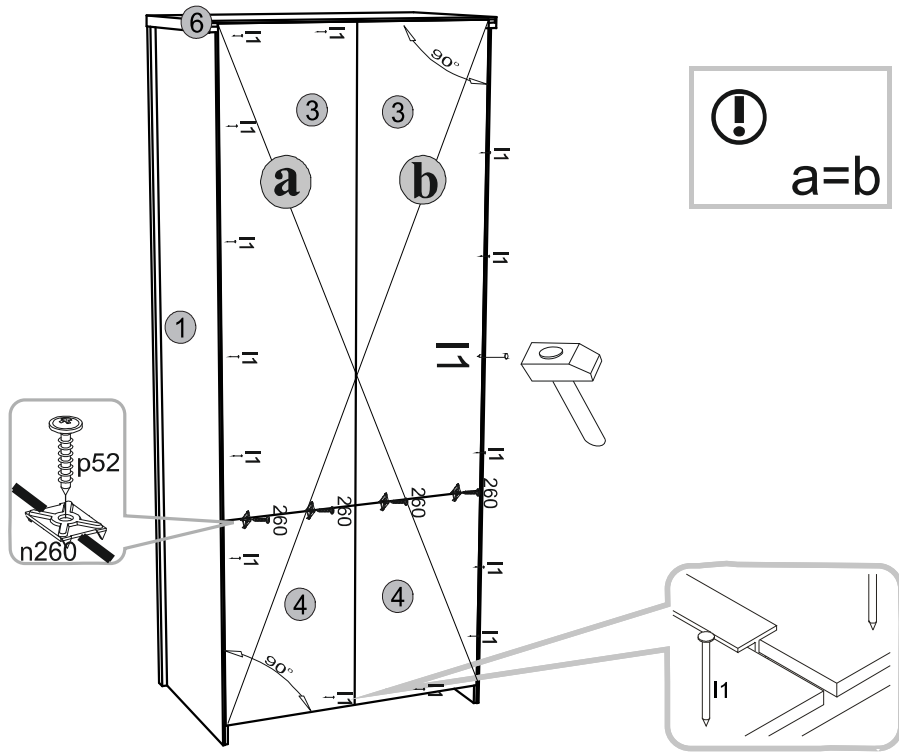
5



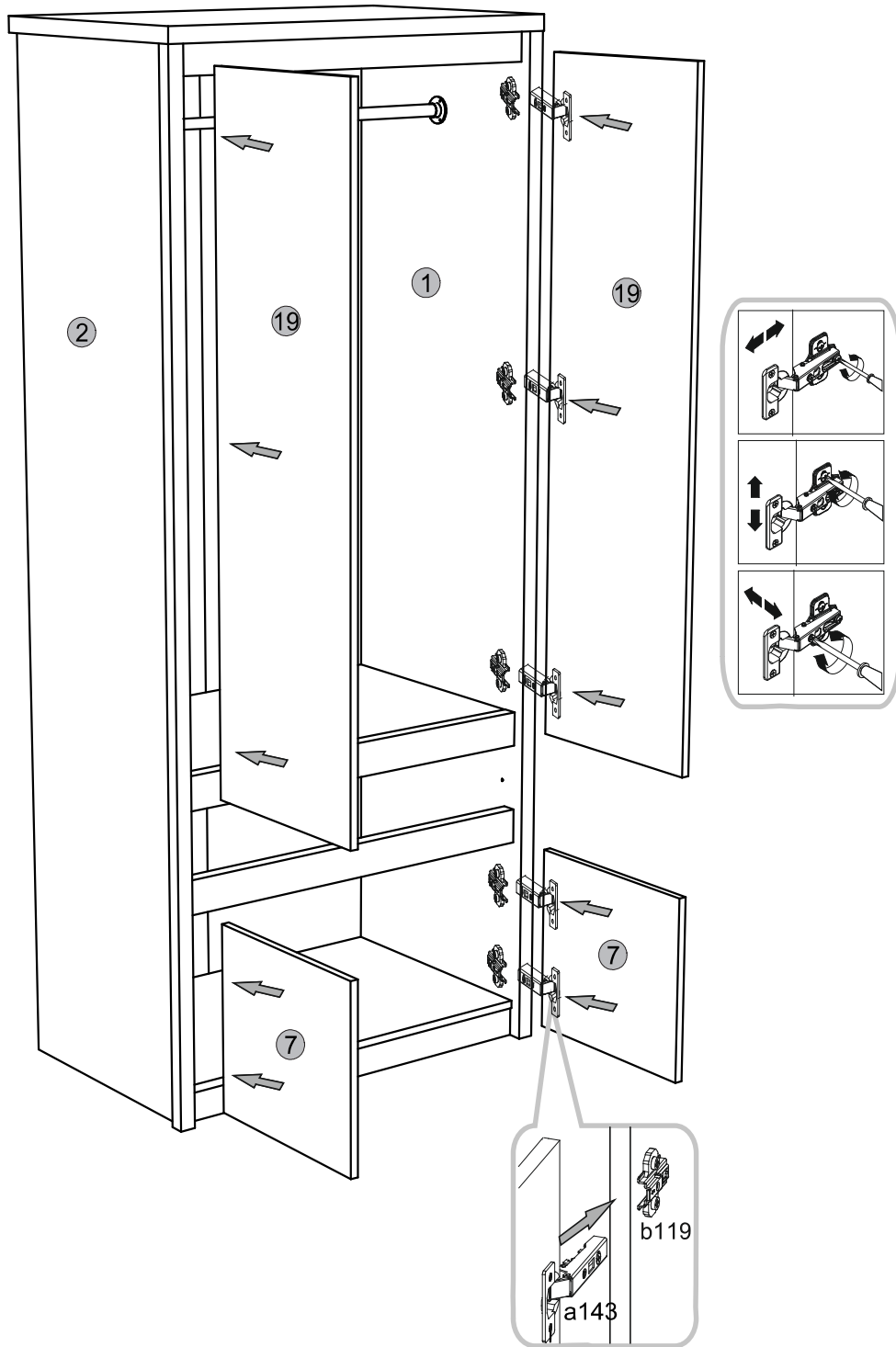
7



6



8



9

