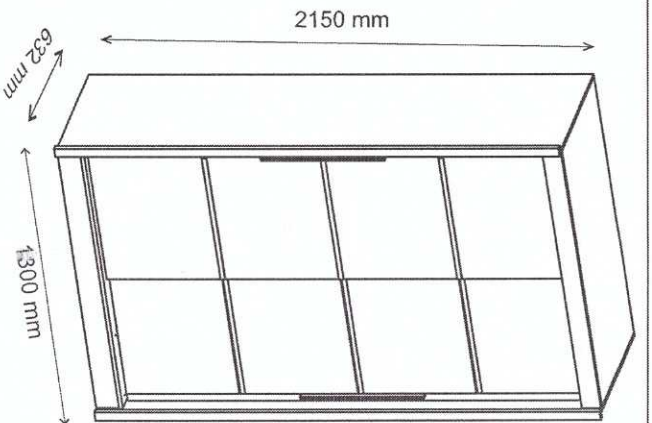
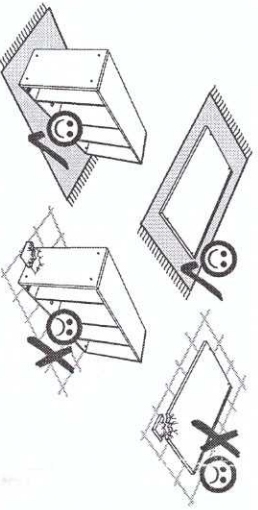
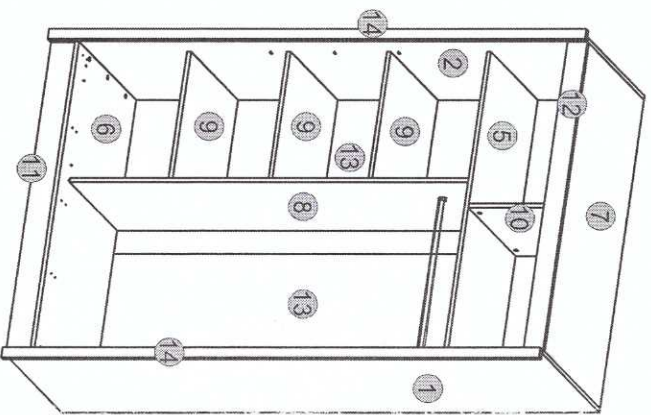
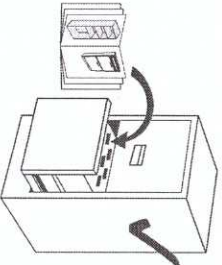
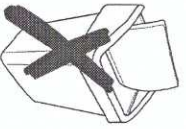
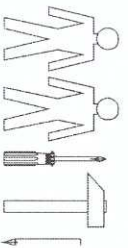
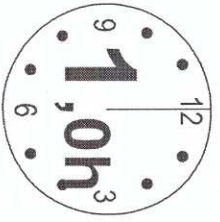
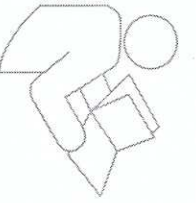


Installation manual

ILONA_2_130



Element symbol	Dimensions	Code	Package
1	2150 610 16 1	ILONA_2_130.012	
2	2150 610 16 1	ILONA_2_130.013	
3	615 2004 16 1	ILONA_2_130.002	
4	615 2004 16 1	ILONA_2_130.003	
5	1220 502 16 1	ILONA_2_130.006	
6	1220 605 16 1	ILONA_2_130.004	
7	1220 589 16 1	ILONA_2_130.005	
8	1592 502 16 1	ILONA_2_130.007	
9	502 502 16 3	ILONA_2_130.008	
10	410 502 16 1	ILONA_2_130.009	
11	1220 100 16 2	ILONA_2_130.010	
12	1220 80 16 1	ILONA_2_130.011	
13	2044 623 3 2	ILONA_2_130.001	
14	2150 40 22 2	ILONA_2_130.015	



52x p25
 4x y1

80x i1
 1x z1

2x f3
 2x p17

2x c245
 6x p9

6x k1

50x f1

16x f11

38x r16

2x n260

38x s2

2x p52

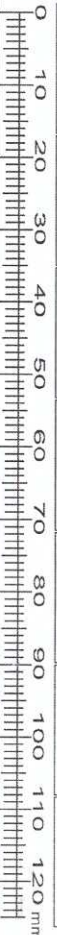
2x n301

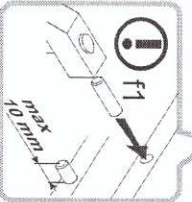
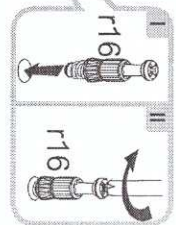
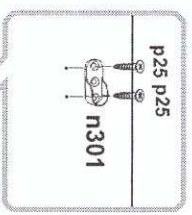
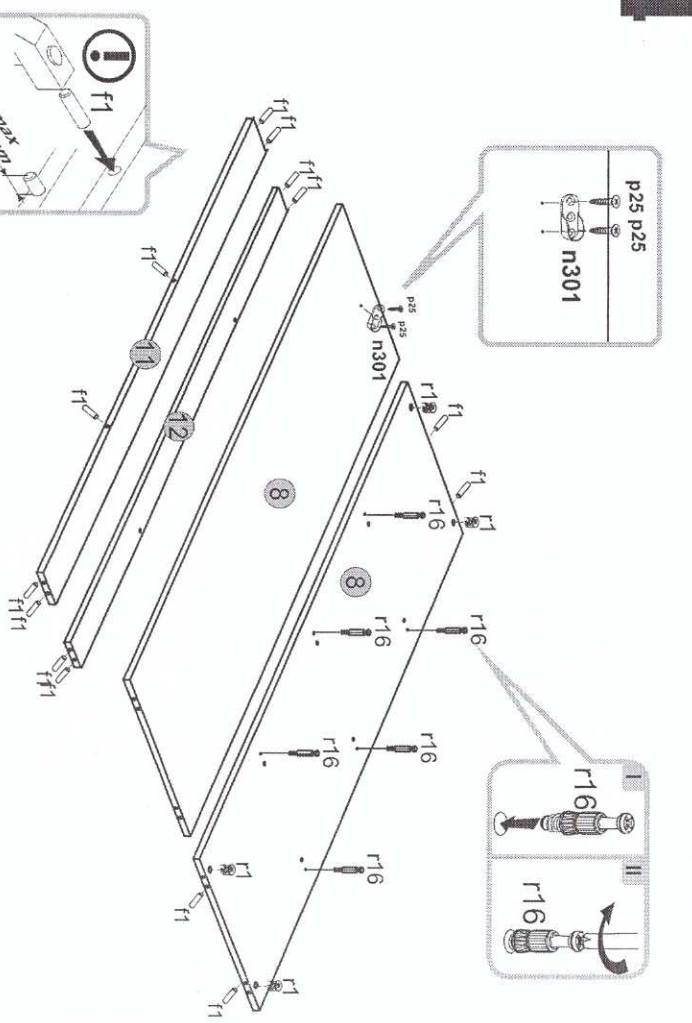
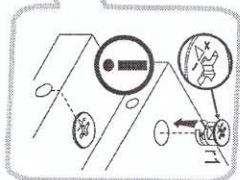
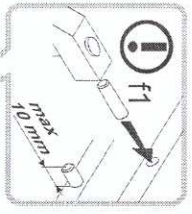
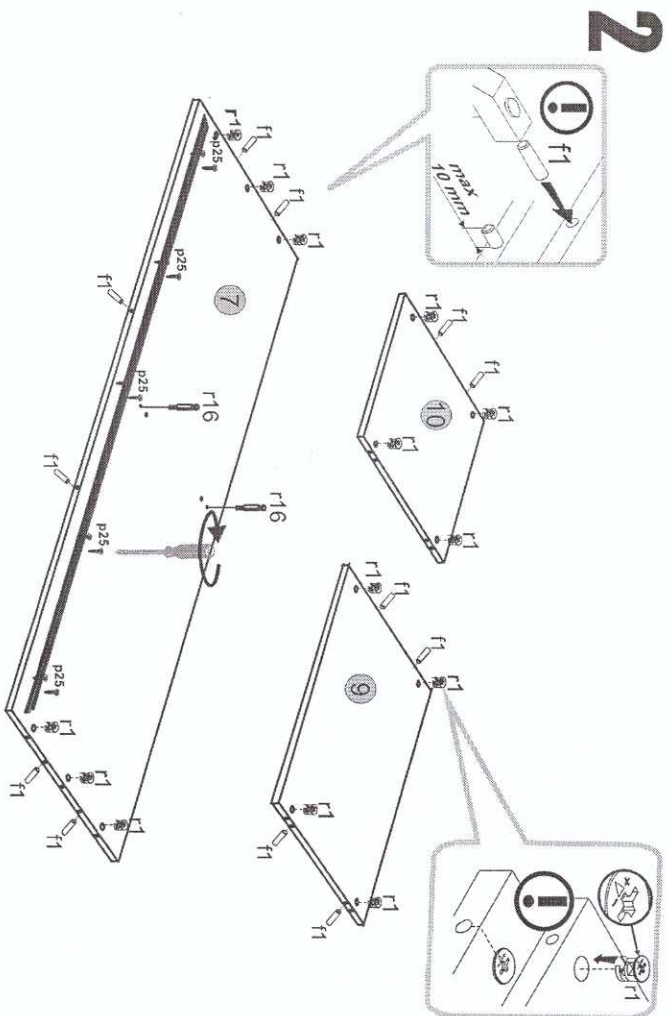
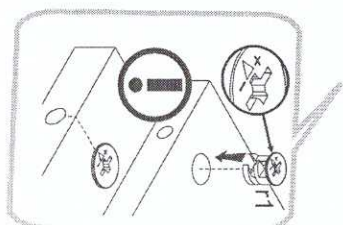
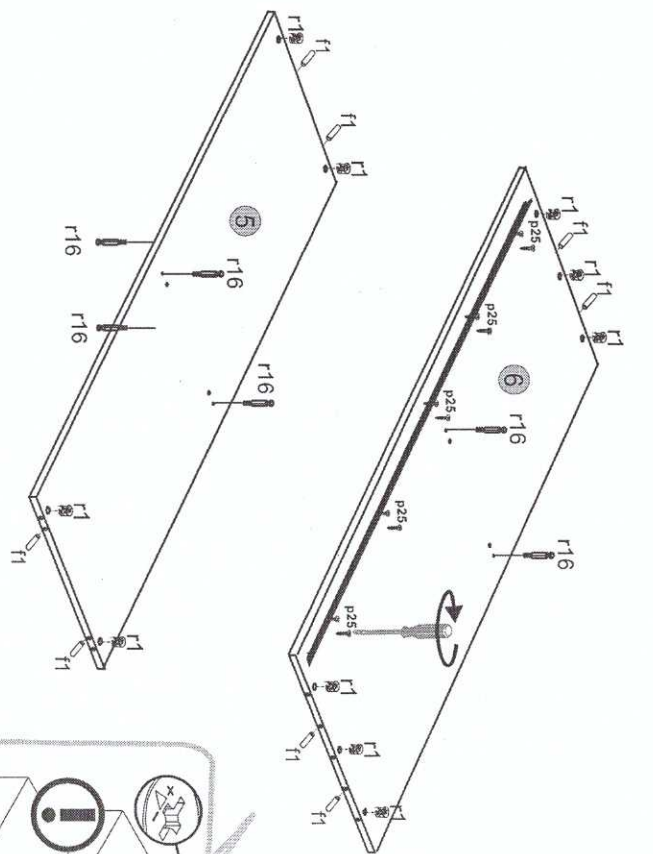
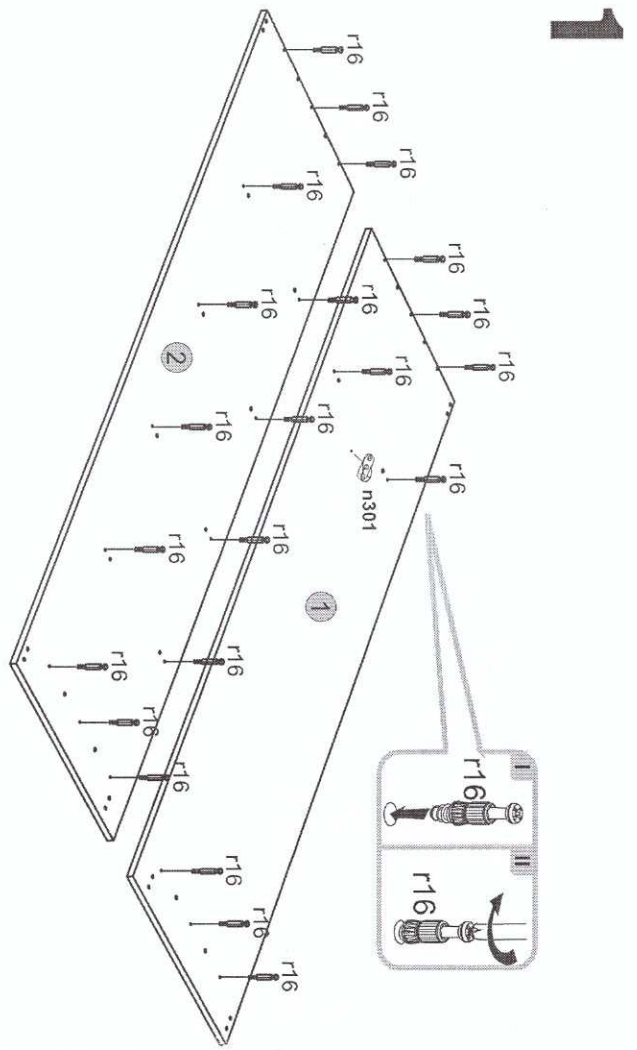
2x p52

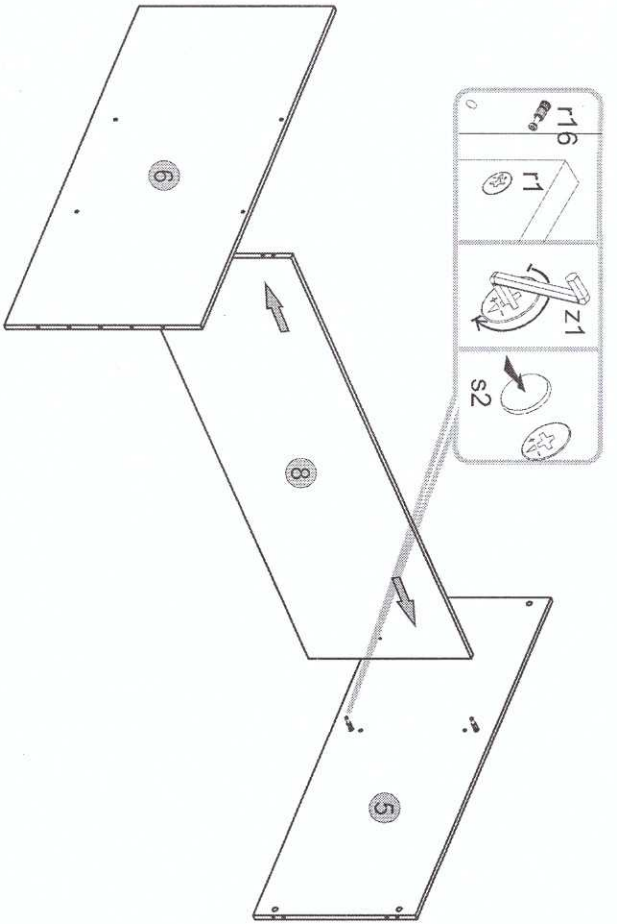
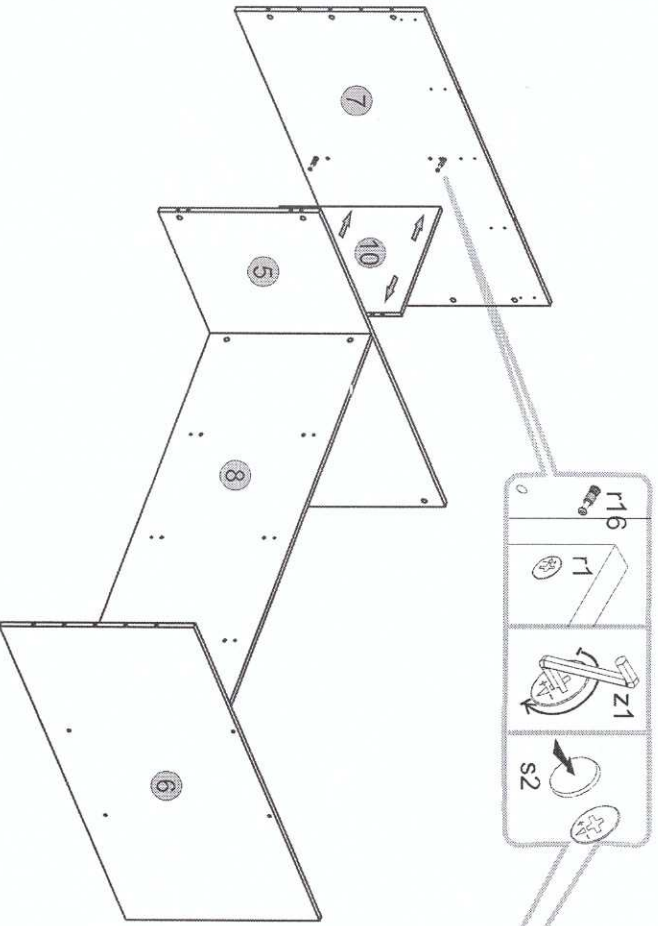
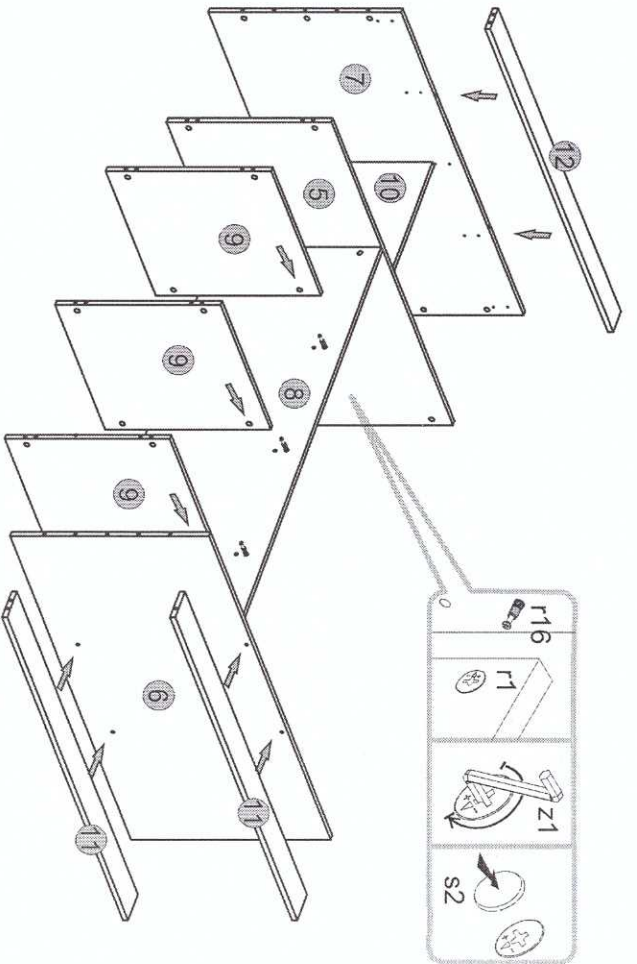
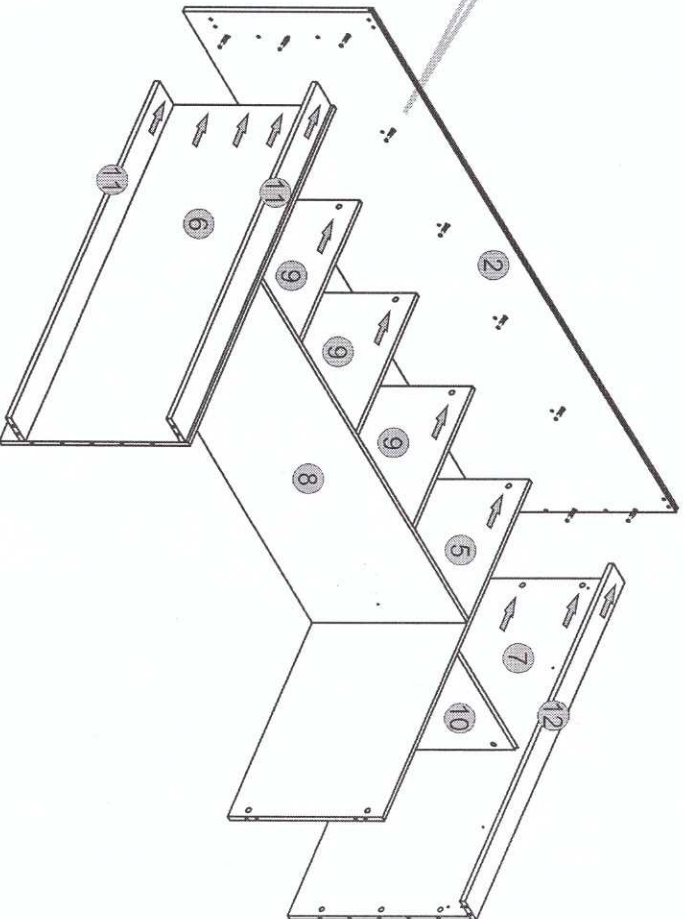
38x f1

2x n14

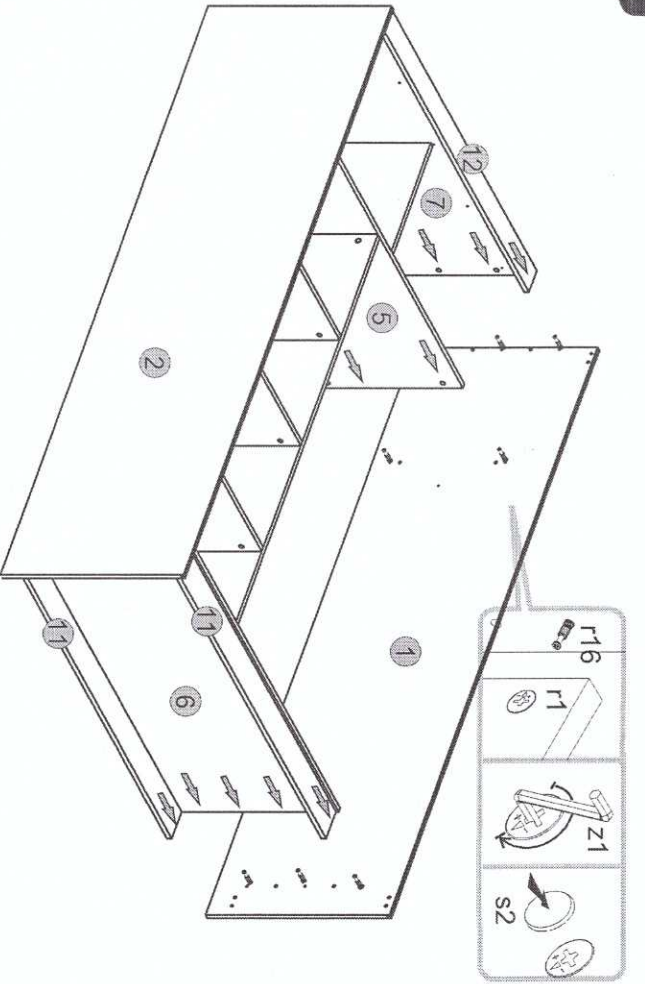
2x n301



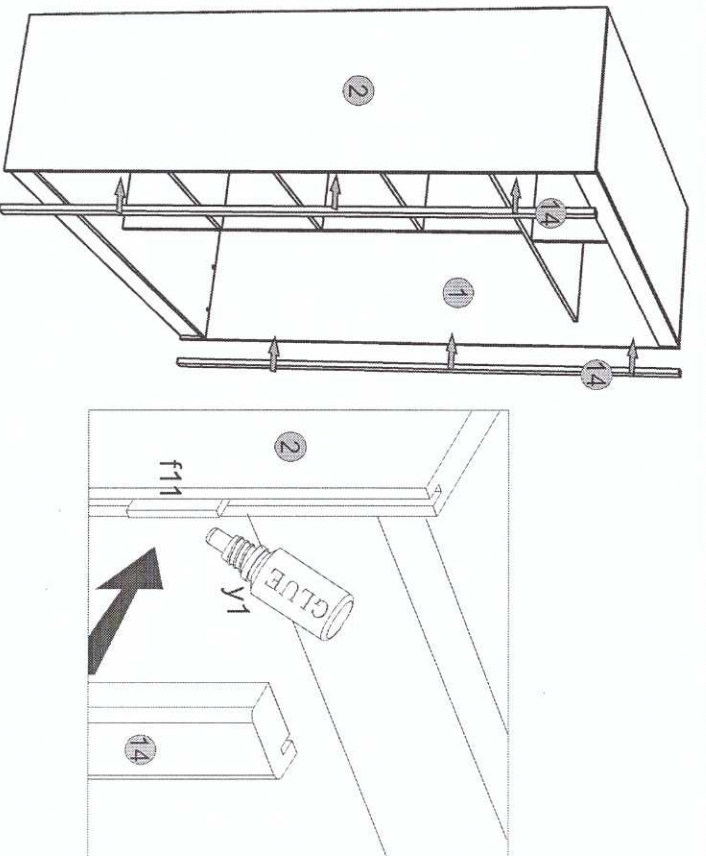


5**6****7****8**

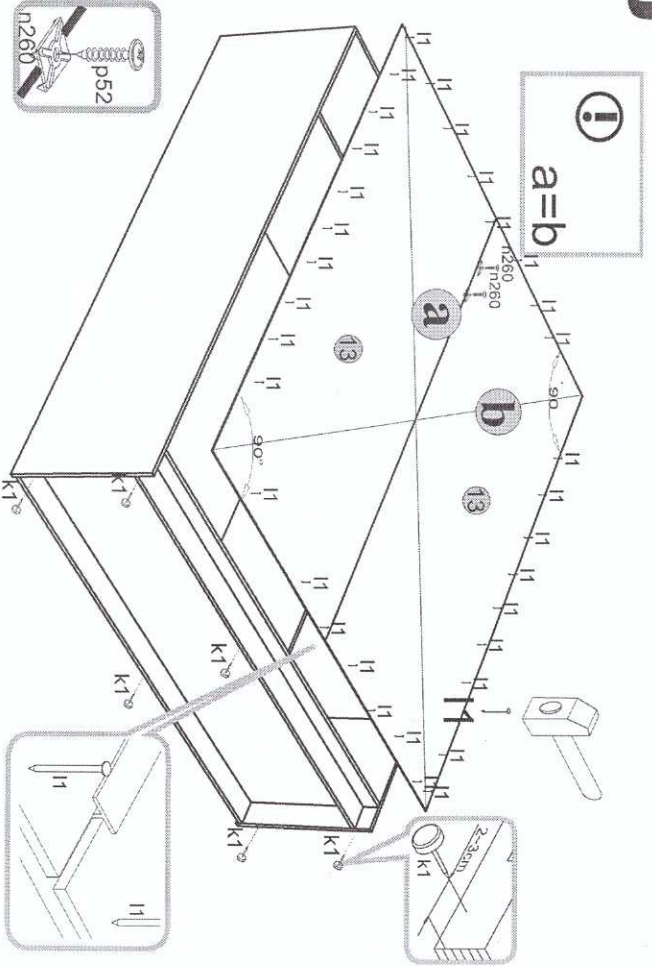
9



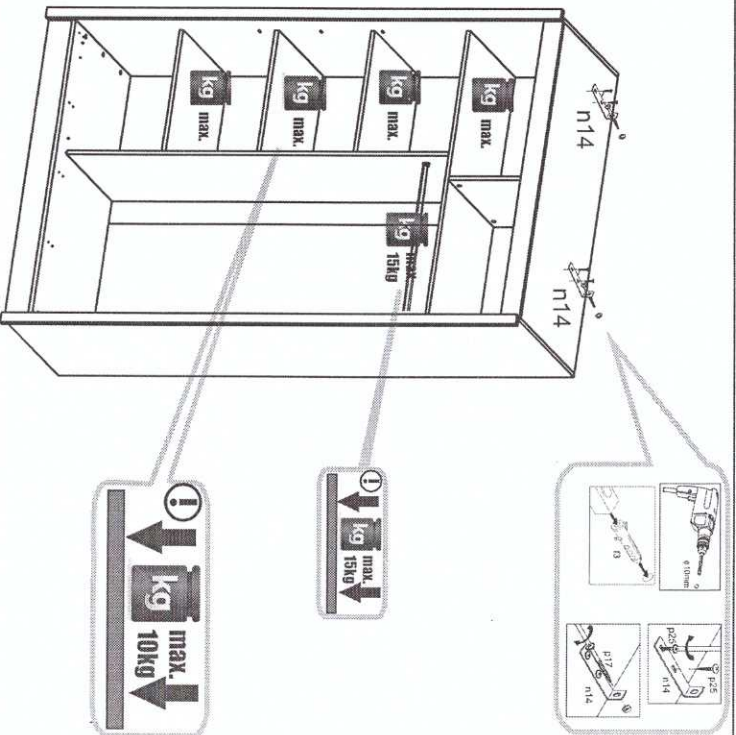
11



10



12



i
 max. 10kg
 kg

i
 max. 15kg
 kg

