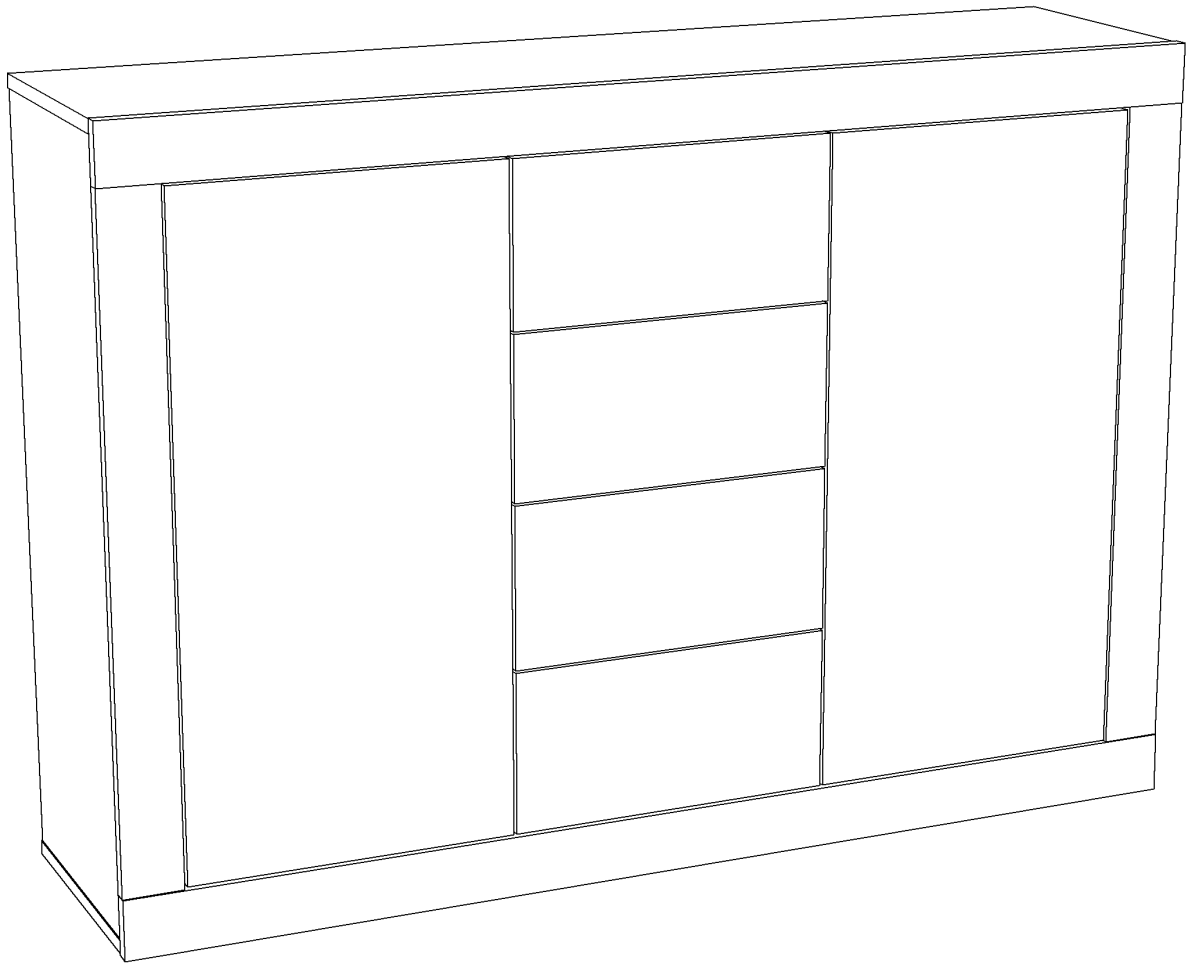








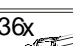
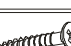







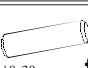



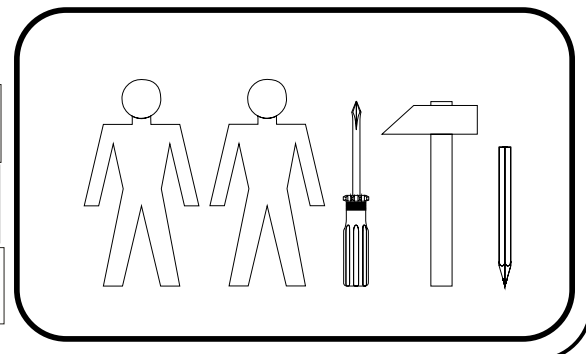
Juliet

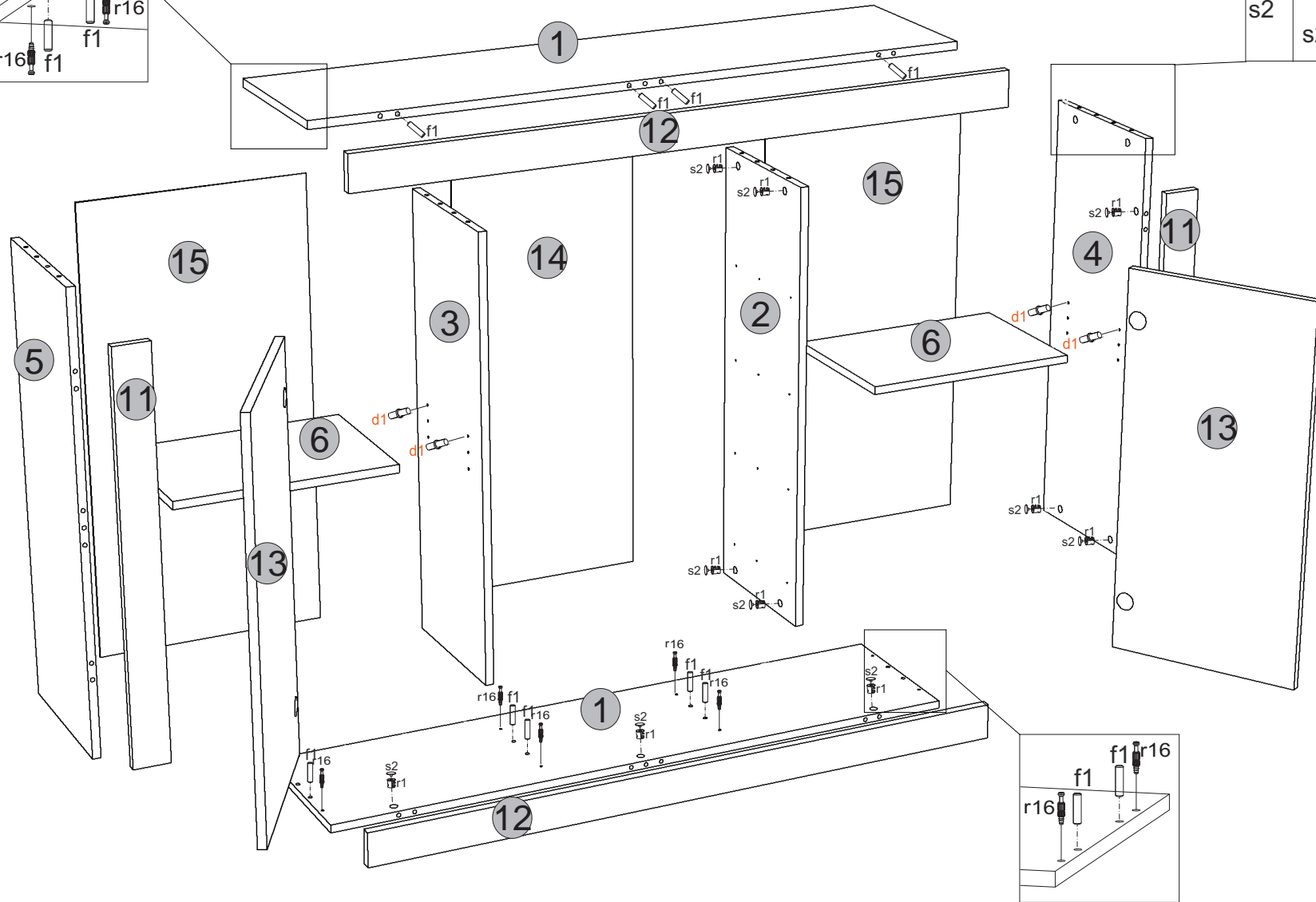
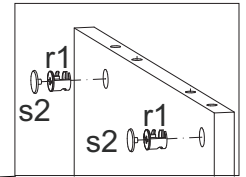
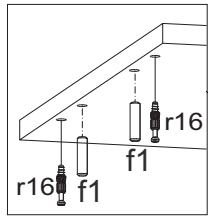
Chest 2d4s

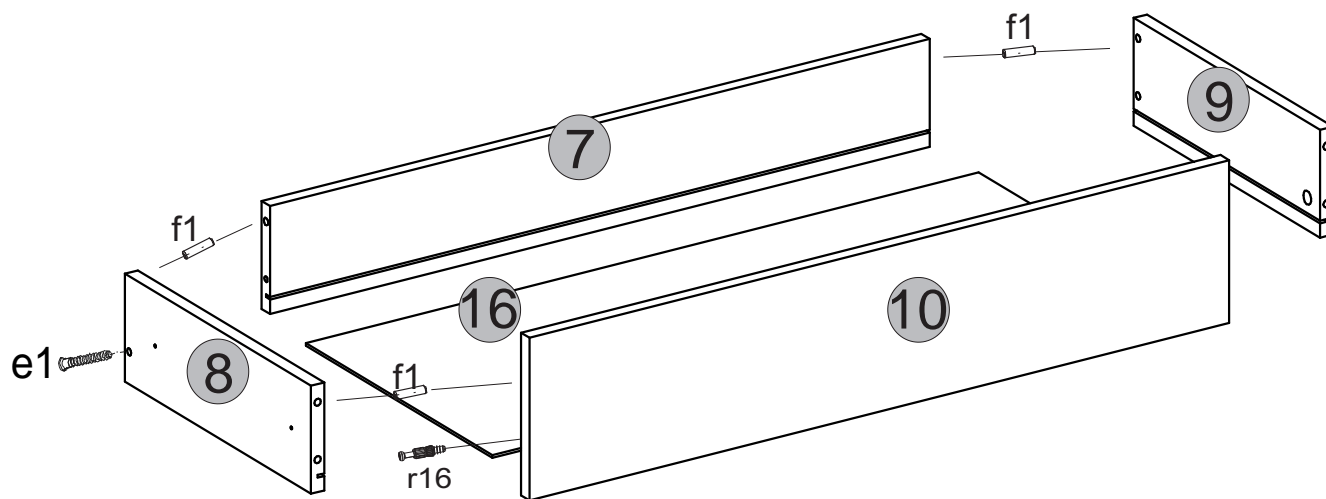
92/130/34



36x ø16  s2	48x ø3,5x13 mm  p1	12x ø4x30 mm  p9	1x  z1	1x GLUE 50g 	6x  c235	8x  s1
36x ø15x12mm #16  r1	36x  r16	6x ø3,5x25 mm  p16	8x ø6.3x13 mm  e2	8x ø5x17 mm  d1	8x ø3,5x16 mm  p25	
4x L.:300mm 	6x  k311.017	4x  a1 11	4x  b104	48x ø8x30 mm  f1	8x  ø7x50 mm e1	







Nº					
1	J-201	1295	322	16	2
2	j-101	880	308	16	1
3	j-102	880	308	16	1
4	j-103	880	322	16	1
5	j-104	880	322	16	1
6	j-301	430	300	16	2
7	j-501	310	120	16	4
8	j-502	300	120	16	4
9	j-503	300	120	16	4
10	j-001	190	381	16	4
11	j-401	774	70	16	2
12	j-402	70	1296	16	2
13	j-002	768	381	16	2
14	j-601	898	382	3	1
15	j-602	898	447	3	2
16	j-603	324	298	3	4