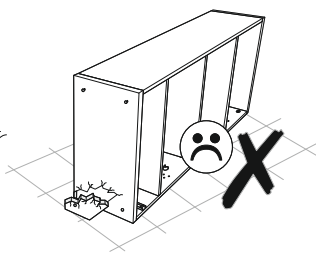
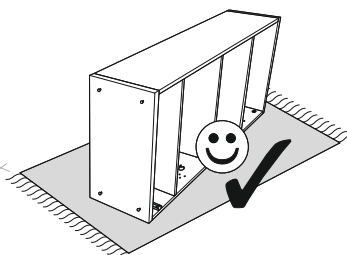
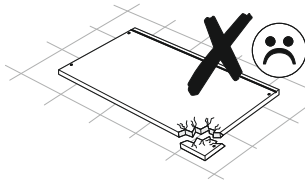
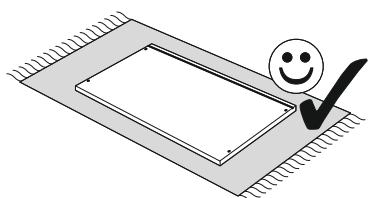
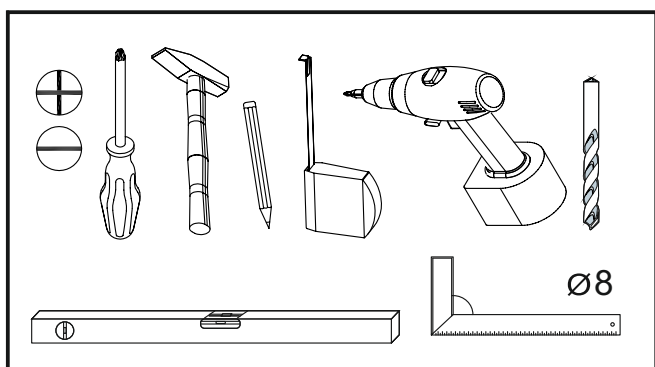
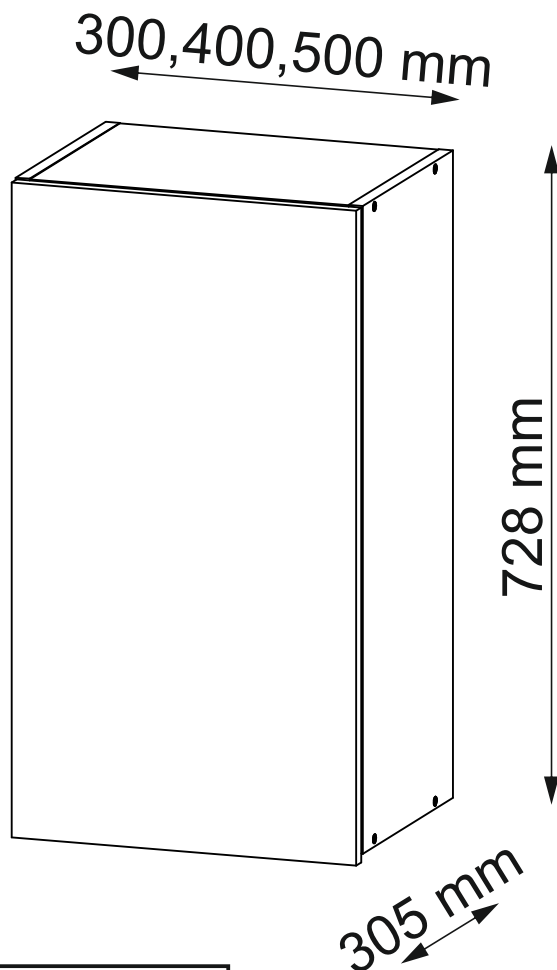
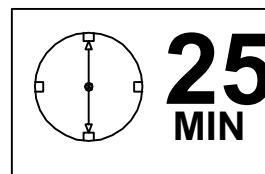
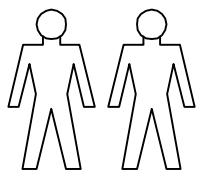





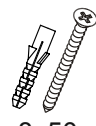
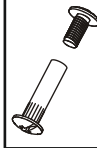




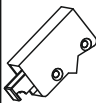
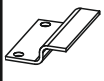





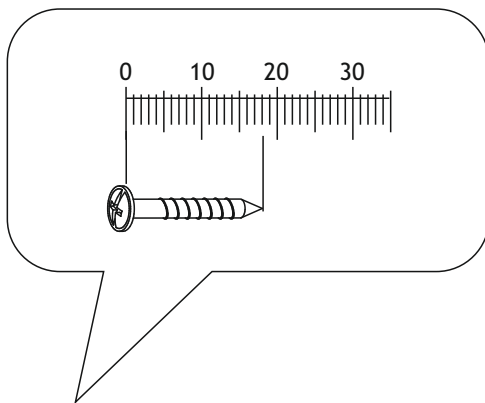
KITCHEN SOFT 30,40,50 UC



KITCHEN SOFT 30,40,50 UC


A0	B1	B0	D5	D13	E0	H0	J0	J6	J8	K
										
∅8x30	∅7x50		3,5x16	4x30	8x50					4mm
x4	x8	x4	x4	x4	x4	x2	x2	x2	x2	x1

P4	P5	Q0	T8	U0
				
x2	x2	x4	x30	x2




KITCHEN SOFT 30,40,50 UC


30 UC

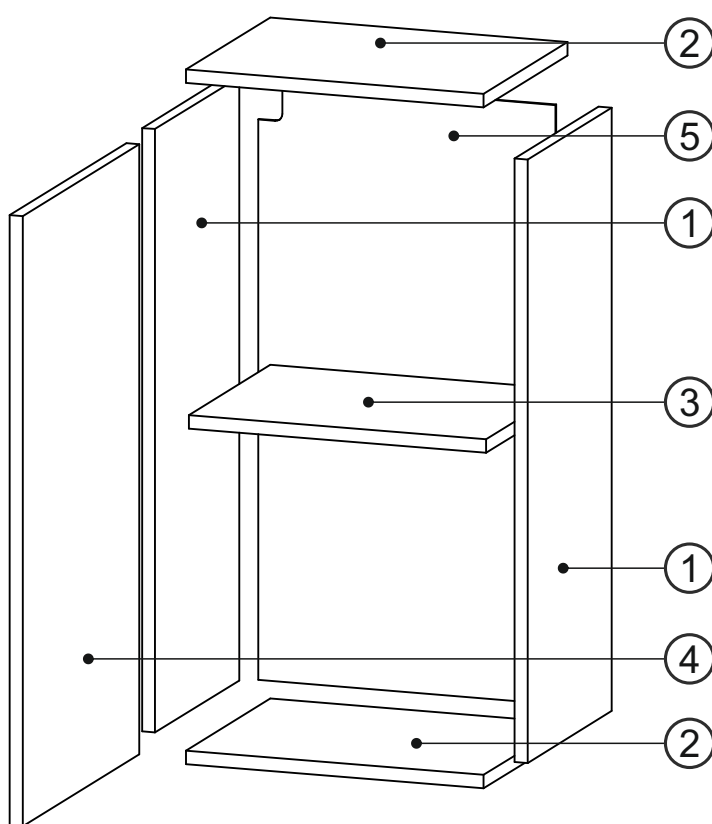
①	718	285	16	x2	1/1
②	267	285	16	x2	1/1
③	266,5	275	16	x1	1/1
④	726	296	16	x1	1/1
⑤	713	296	3	x1	1/1
					1/1

40 UC

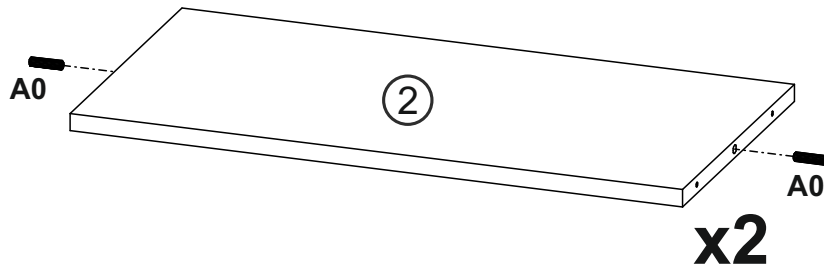
①	718	285	16	x2	1/1
②	367	285	16	x2	1/1
③	366,5	275	16	x1	1/1
④	726	396	16	x1	1/1
⑤	713	396	3	x1	1/1
					1/1


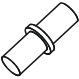
50 UC

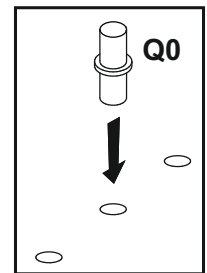
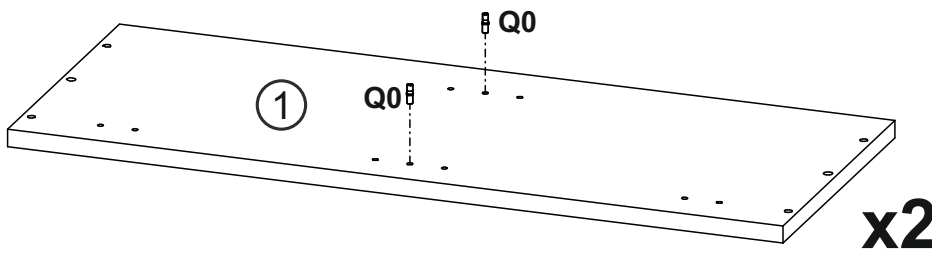
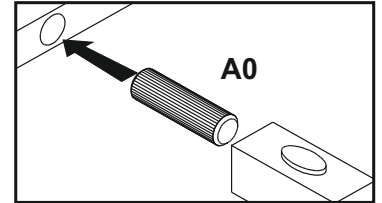
①	718	285	16	x2	1/1
②	467	285	16	x2	1/1
③	466,5	275	16	x1	1/1
④	726	496	16	x1	1/1
⑤	713	496	3	x1	1/1
					1/1



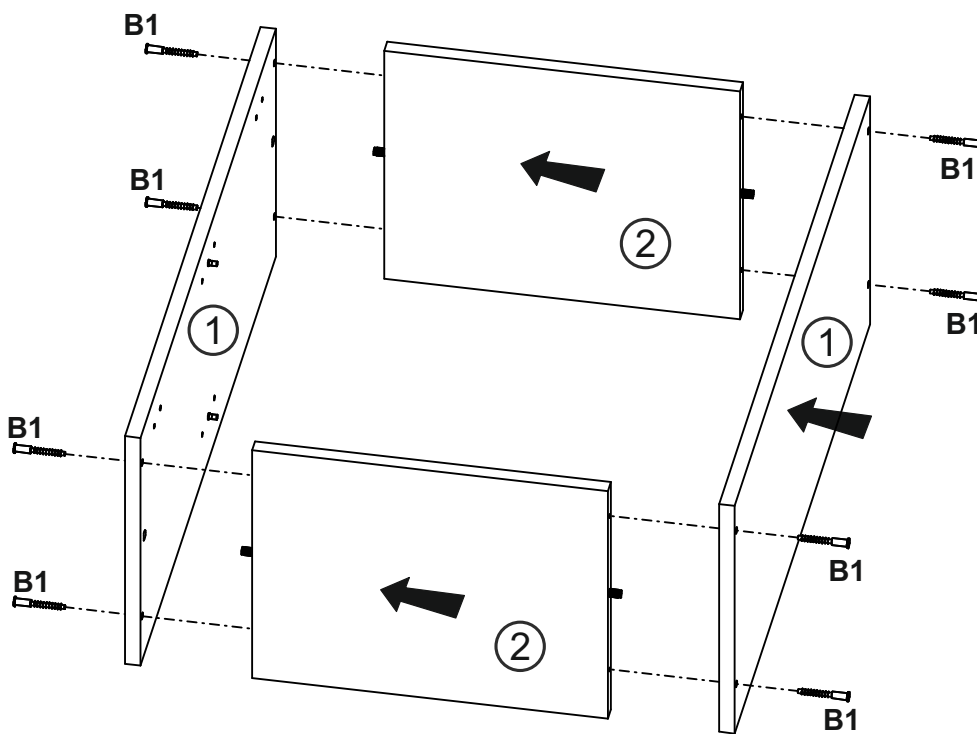
1


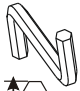


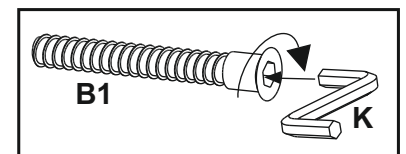
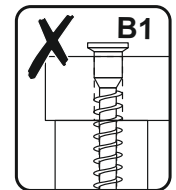
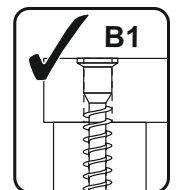
A0	Q0
	
∅8x30	
x4	x4



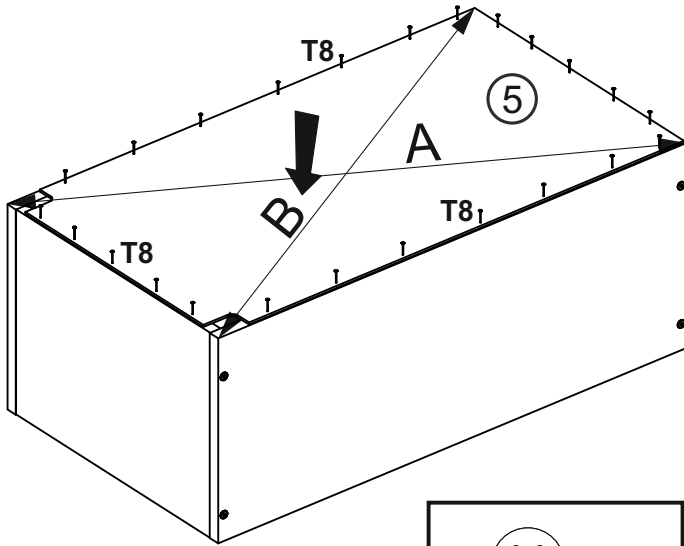
2



B1	K
	
∅7x50	4mm
x8	x1

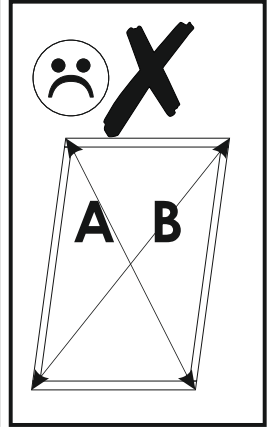
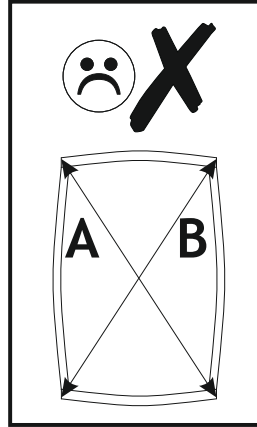
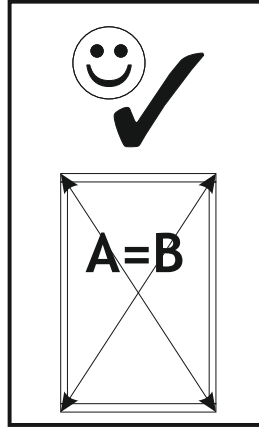
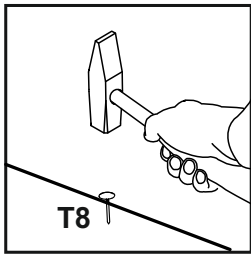


3

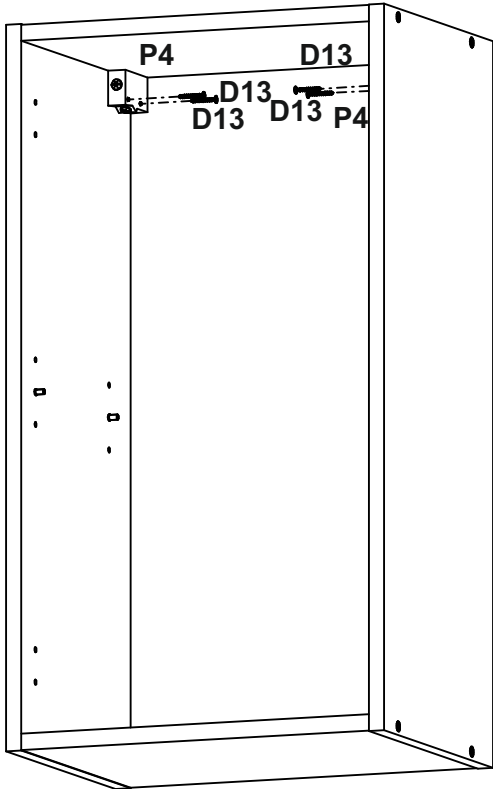


T8

x30

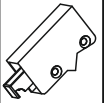


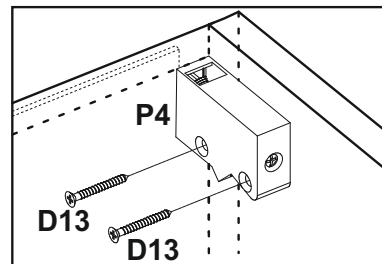
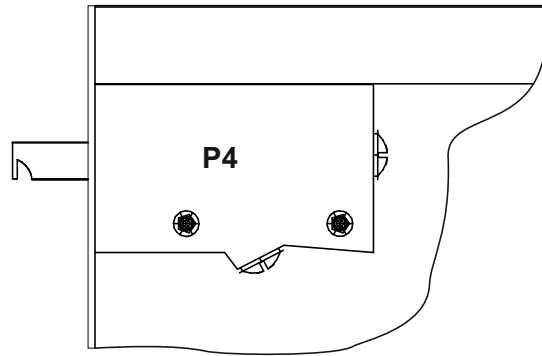
4



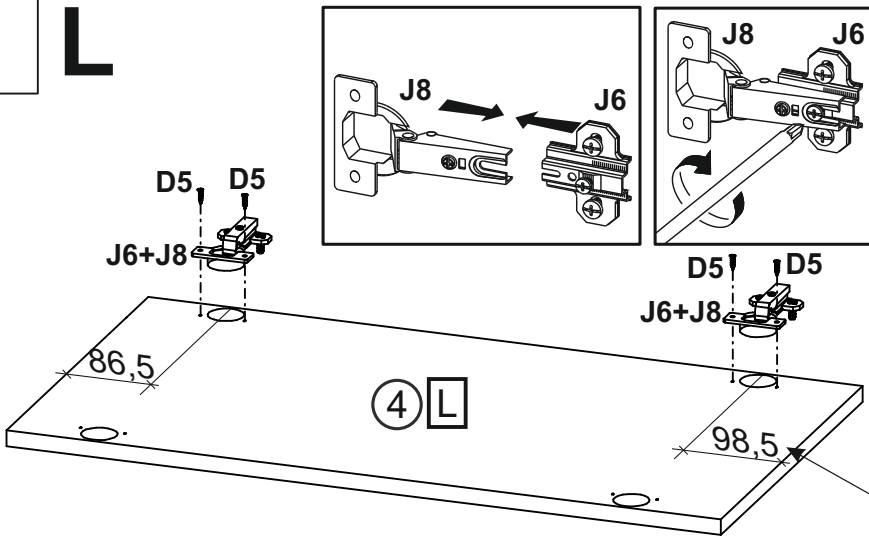
D13

4x30
x4

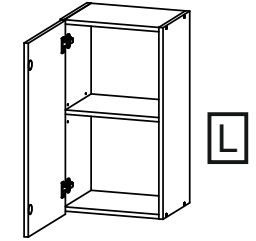
P4

x2



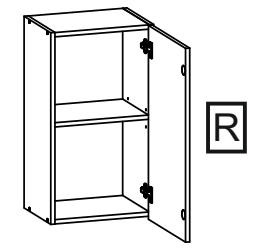
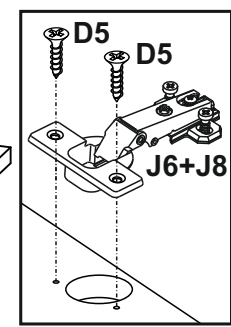
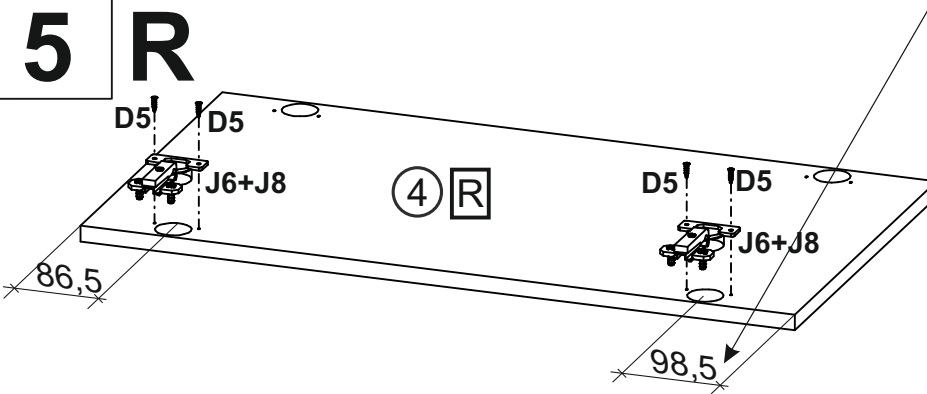
5 L



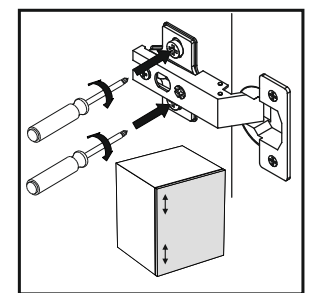
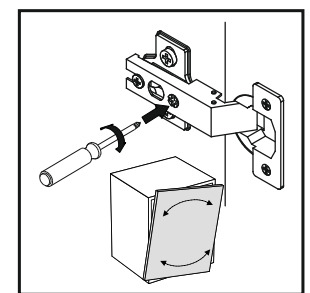
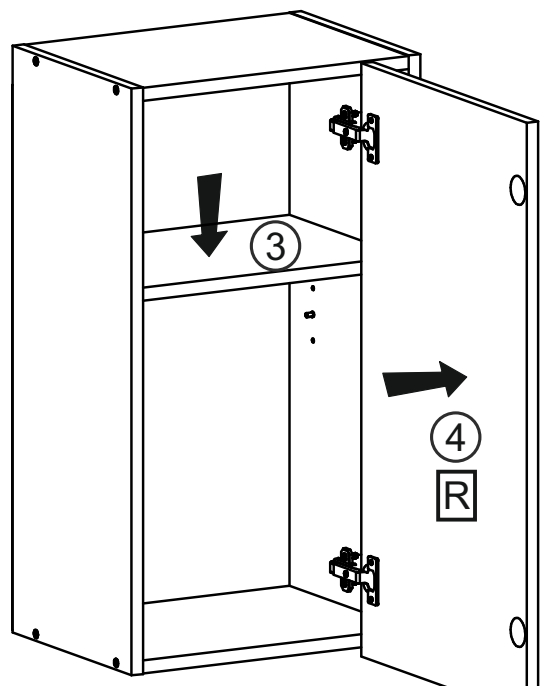
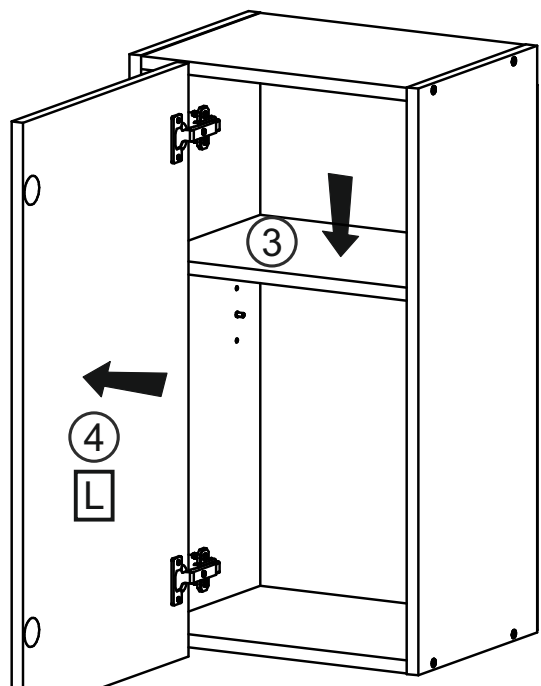
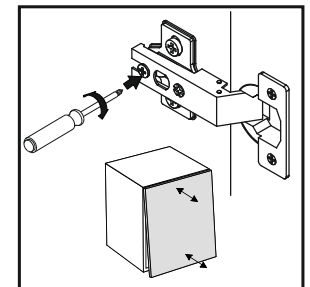
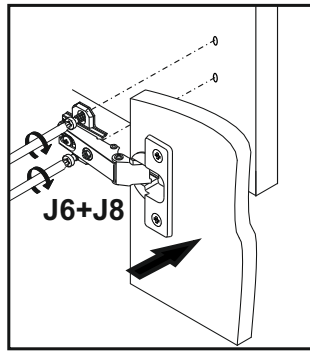
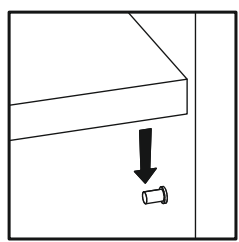
D5	J6	J8
3,5x16	x2	x2
x4		



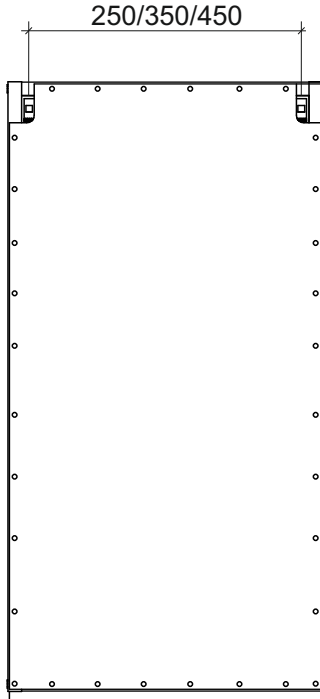
5 R

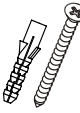




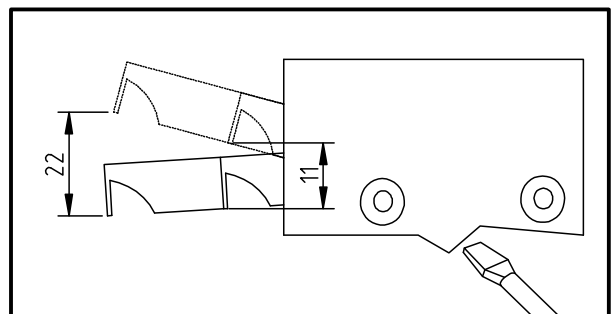
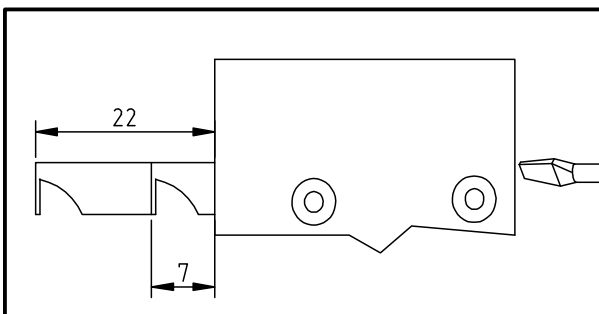
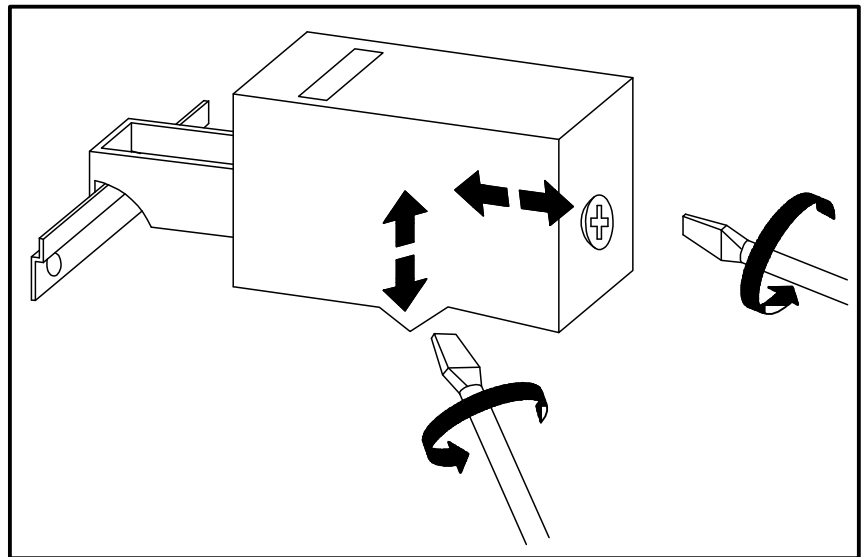
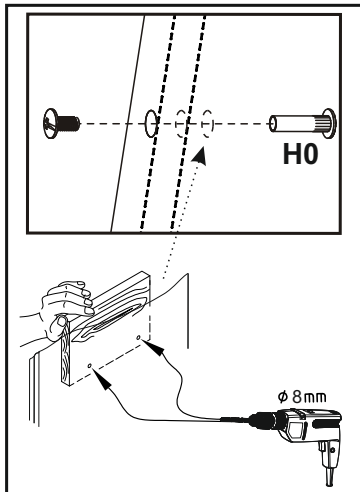
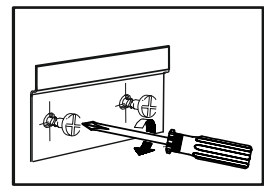
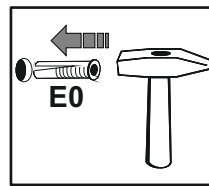
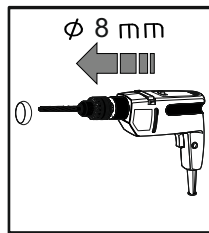
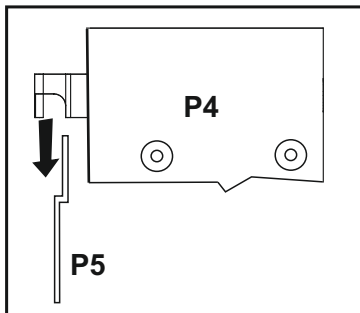
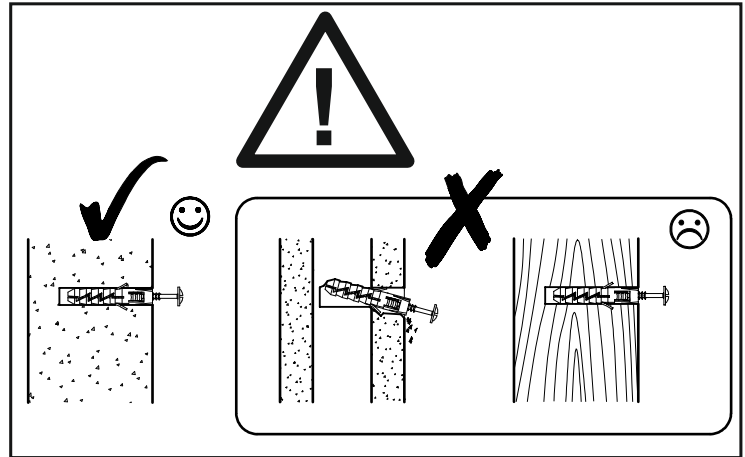
6



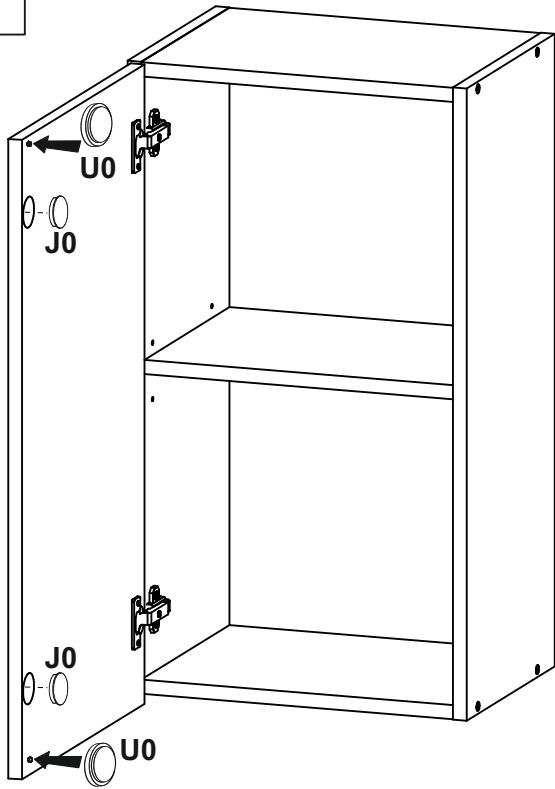
7






E0	H0	P5
		
8x50		
x4	x2	x2



8



B0	J0	U0
		
x4	x2	x2

