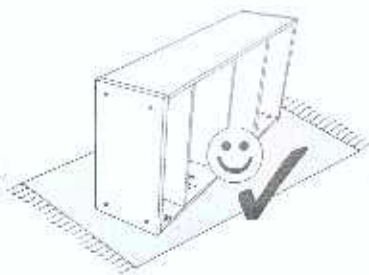
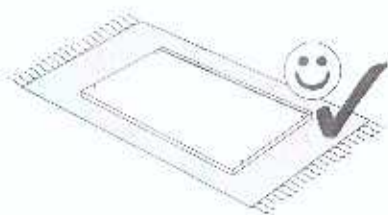
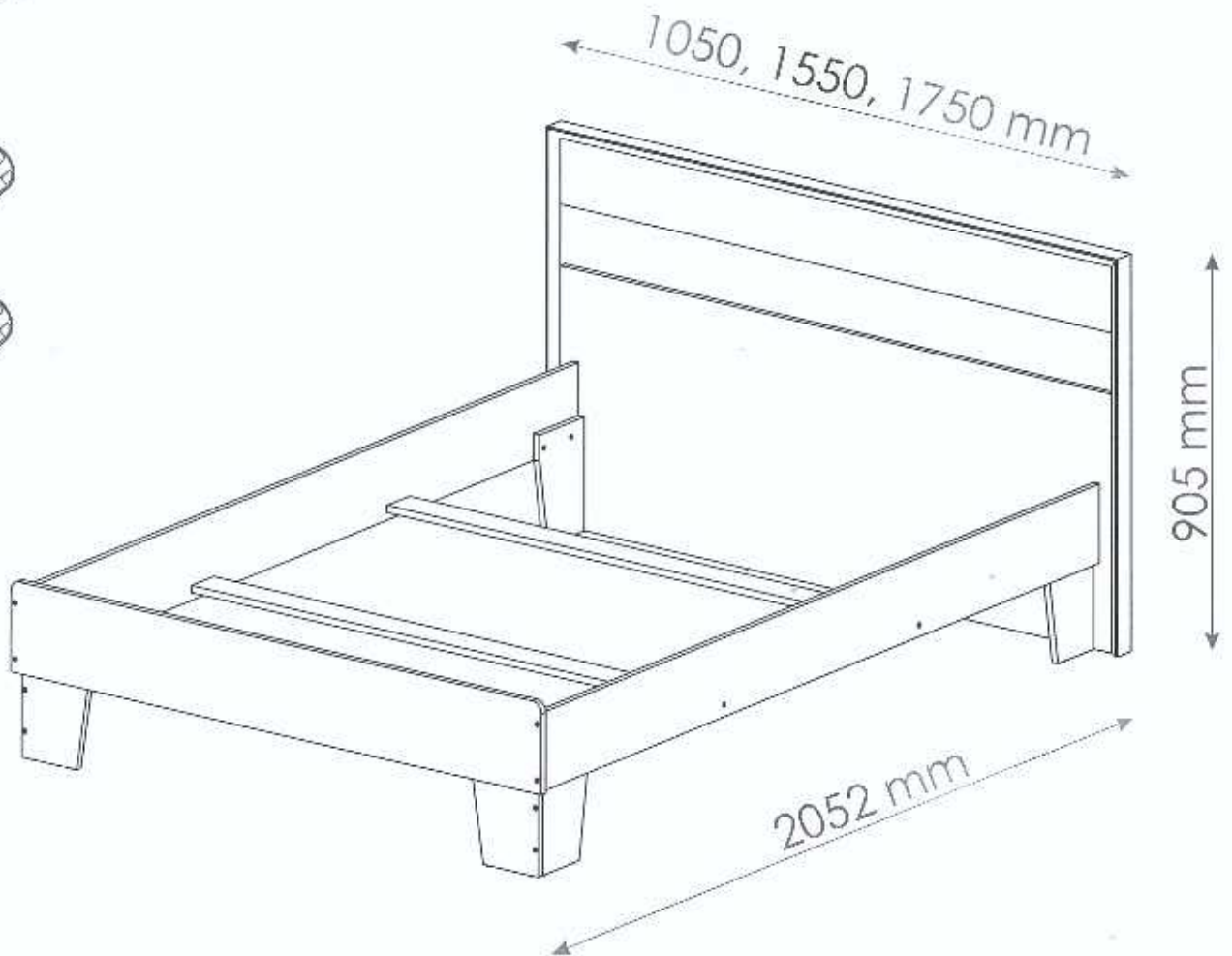
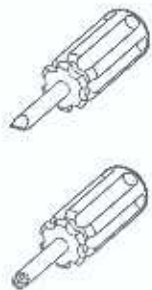
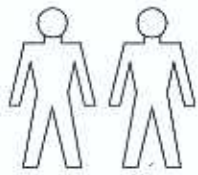




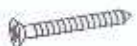

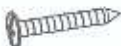
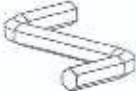

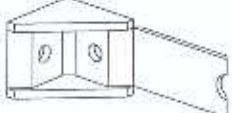
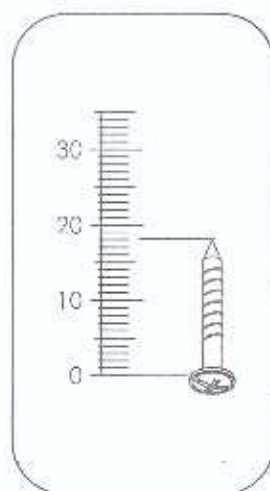


# SCARLET Bed 90, 140, 160



# SCARLET Bed 90, 140, 160

<b>B0</b>  <b>x4</b> <b>x8</b>	<b>B1</b> 17 x 50 mm  <b>x18</b>	<b>C2</b>  <b>x13</b> <b>(90) x12</b>
<b>C7</b>  16 mm <b>x13</b> <b>(90) x12</b>	<b>D1</b> 3 x 25 mm  <b>x12</b> <b>(90) x8</b>	<b>D10</b> 4 x 16 mm  <b>x4</b>
<b>D16</b> 4,2 x 28 mm  <b>x12</b>	<b>K</b> 4mm  <b>x1</b>	<b>T3</b>  <b>x14</b>
 <b>x2</b>		



# SCARLET Bed 90, 140, 160

**90**

1	1000	590	16 x1	1/2
2	1000	150	16 x1	1/2
3	900	80	16 x2	1/2
4	940	210	16 x1	1/2
5	260	180	16 x2	1/2
6	1013	200	16 x1	1/2
7	260	160	16 x2	1/2
8	260	160	16 x2	1/2
9	2000	180	16 x1	2/2
10	905	55	25 x1	2/2
11	905	55	25 x1	2/2
12	1050	55	25 x1	2/2
				1/2

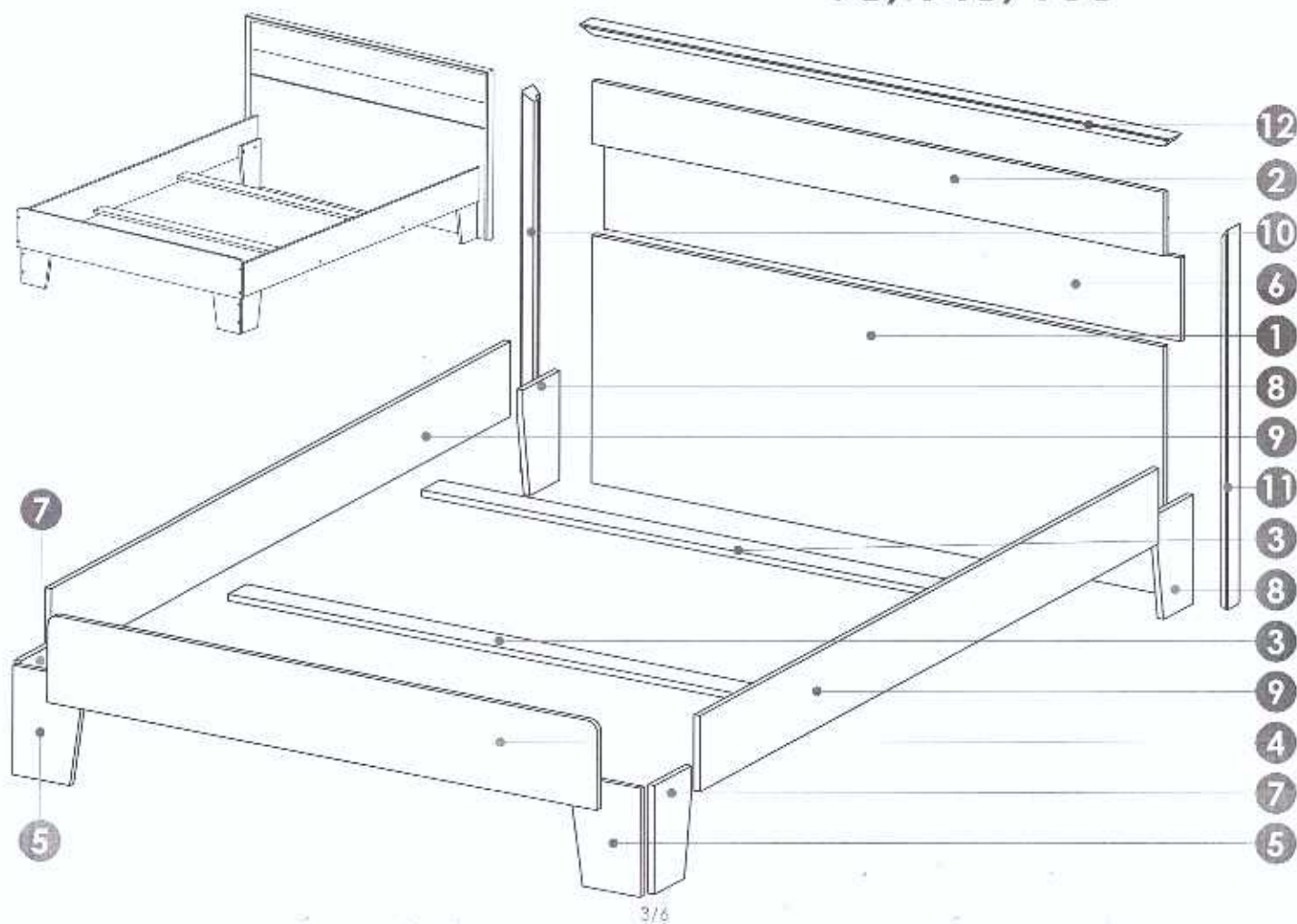
**140**

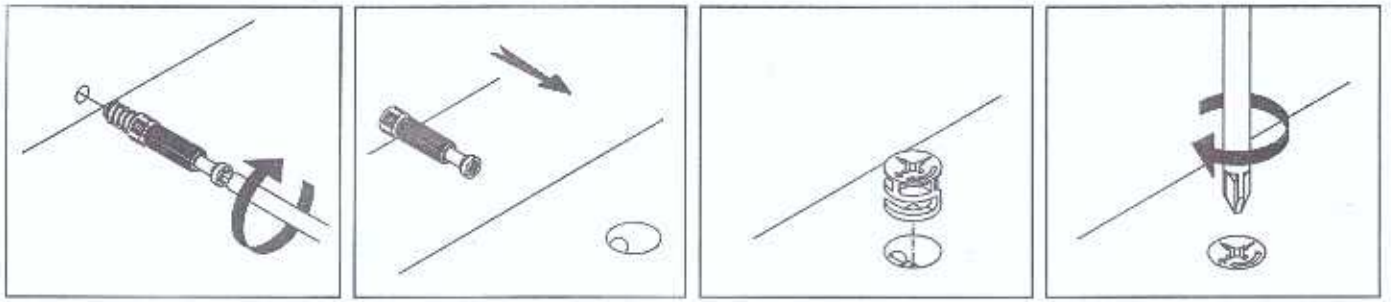
1	1500	590	16 x1	1/2
2	1500	150	16 x1	1/2
3	1400	80	16 x2	1/2
4	1440	210	16 x1	1/2
5	260	180	16 x2	1/2
6	1513	200	16 x1	1/2
7	260	160	16 x2	1/2
8	260	160	16 x2	1/2
9	2000	180	16 x1	2/2
10	905	55	25 x1	2/2
11	905	55	25 x1	2/2
12	1050	55	25 x1	2/2
				1/2

**160**

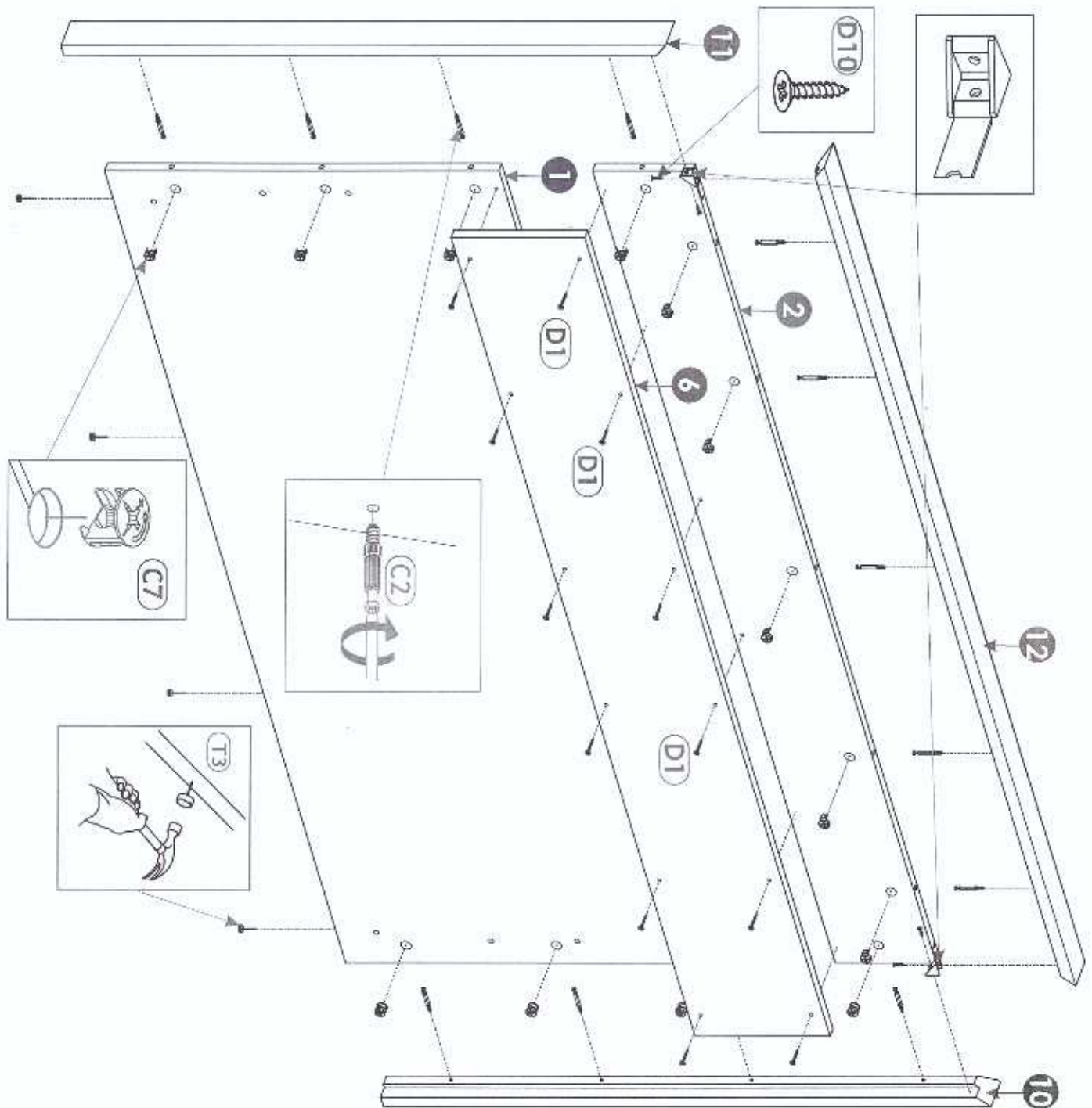
1	1700	590	16 x1	1/2
2	1700	150	16 x1	1/2
3	1600	80	16 x2	1/2
4	1640	210	16 x1	1/2
5	260	180	16 x2	1/2
6	1713	200	16 x1	1/2
7	260	160	16 x2	1/2
8	260	160	16 x2	1/2
9	2000	180	16 x1	2/2
10	905	55	25 x1	2/2
11	905	55	25 x1	2/2
12	1050	55	25 x1	2/2
				1/2

**90/140/160**

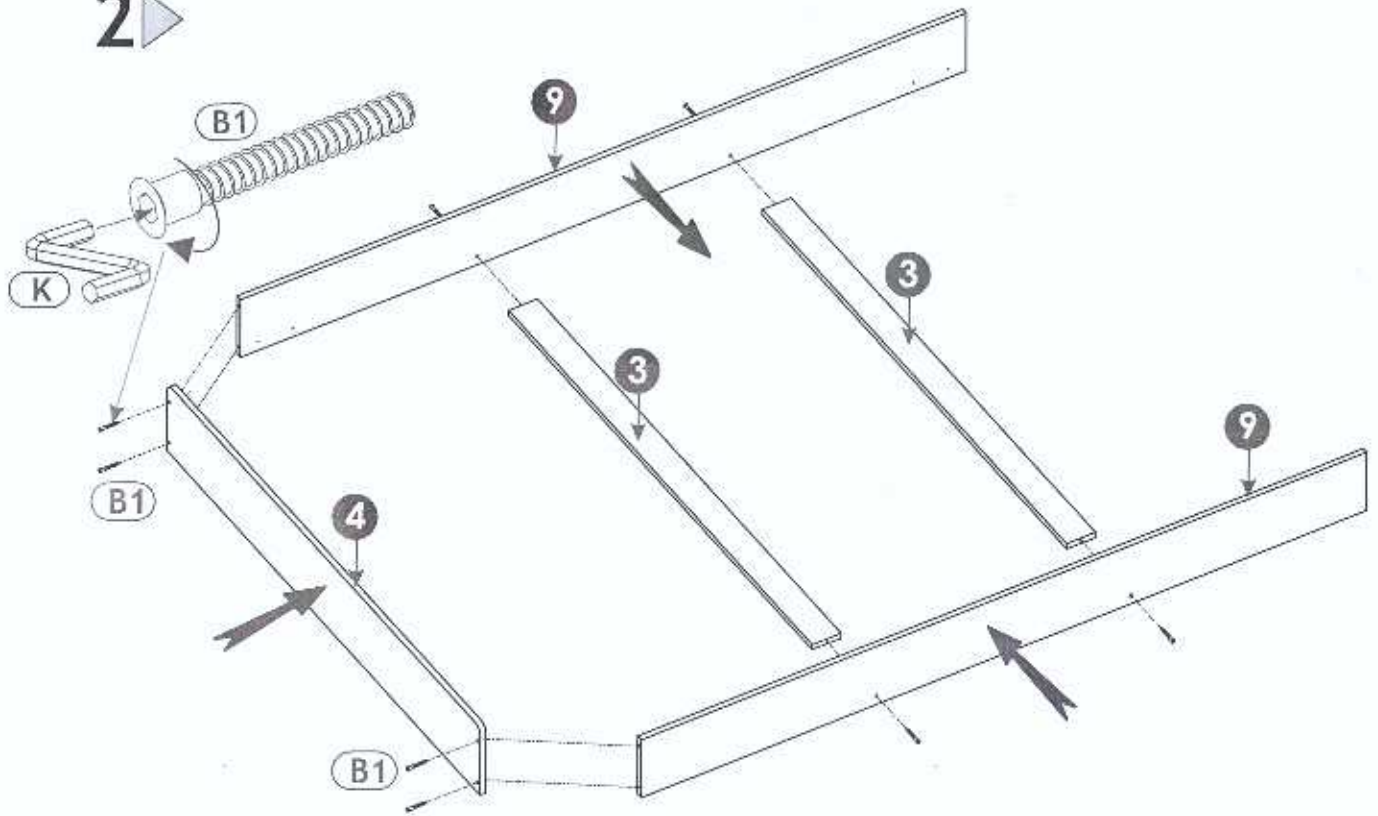




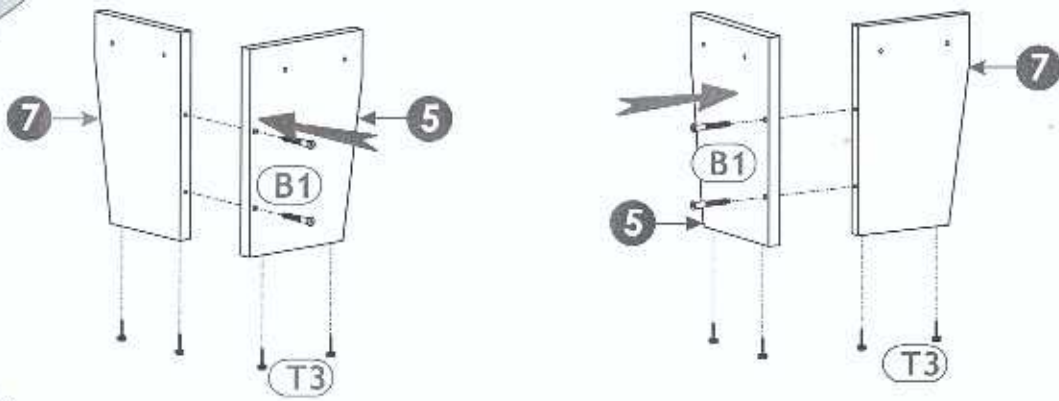
**1** ▶



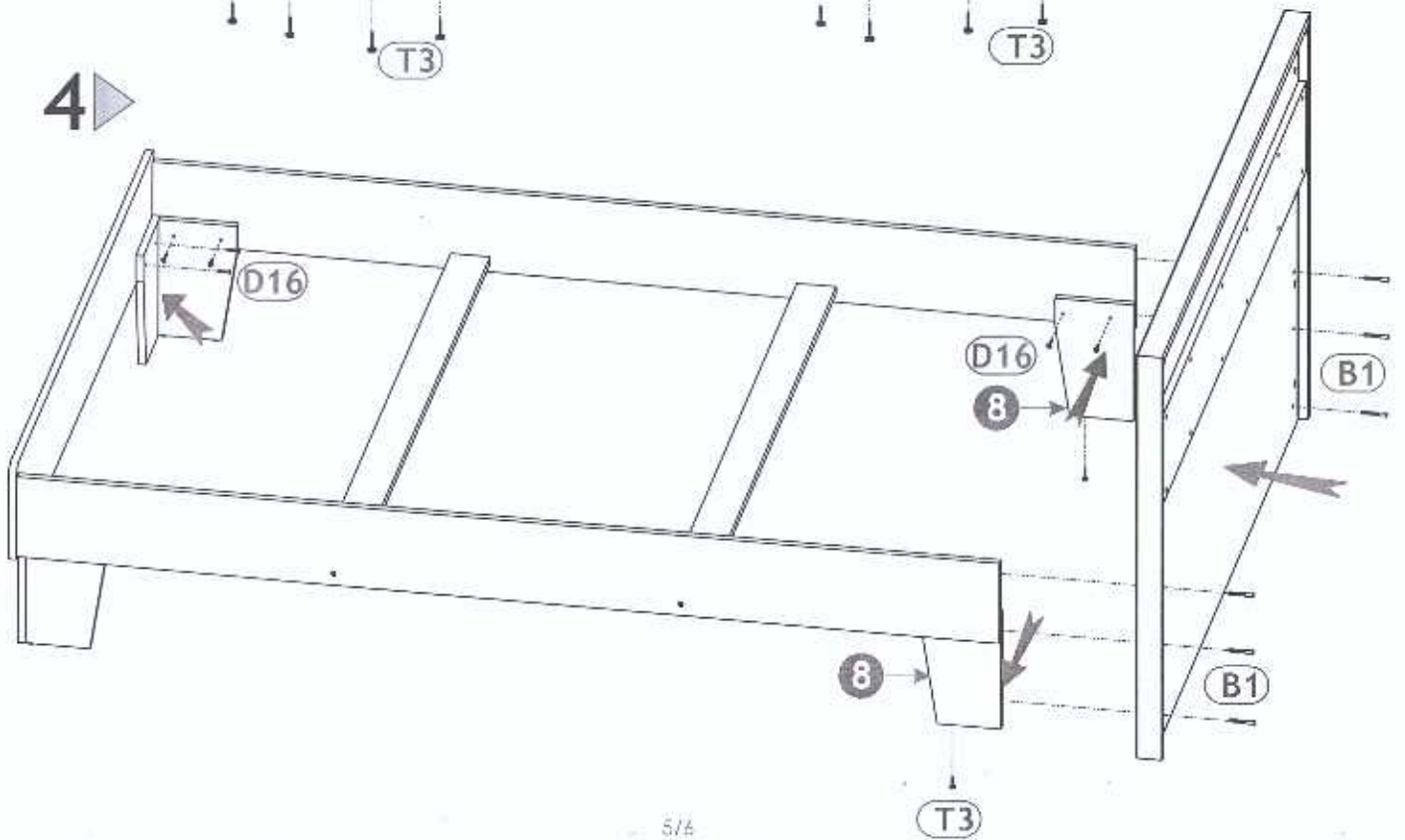
2 ▶

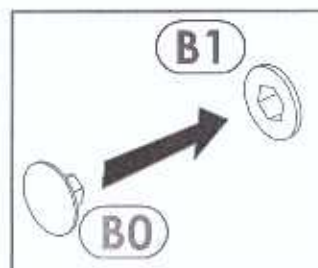
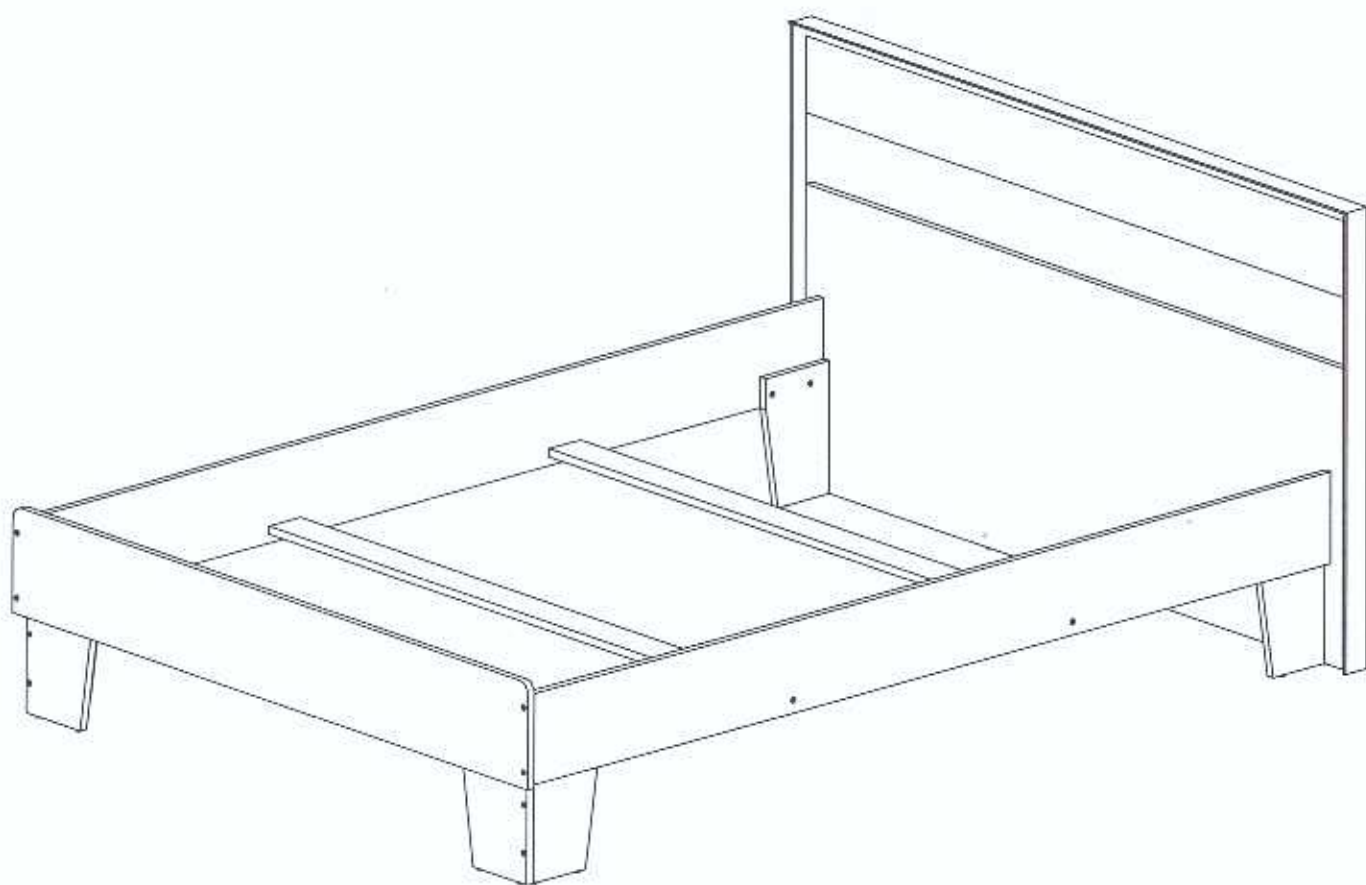


3 ▶

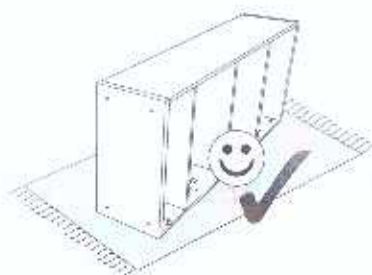
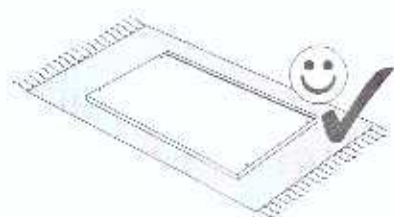
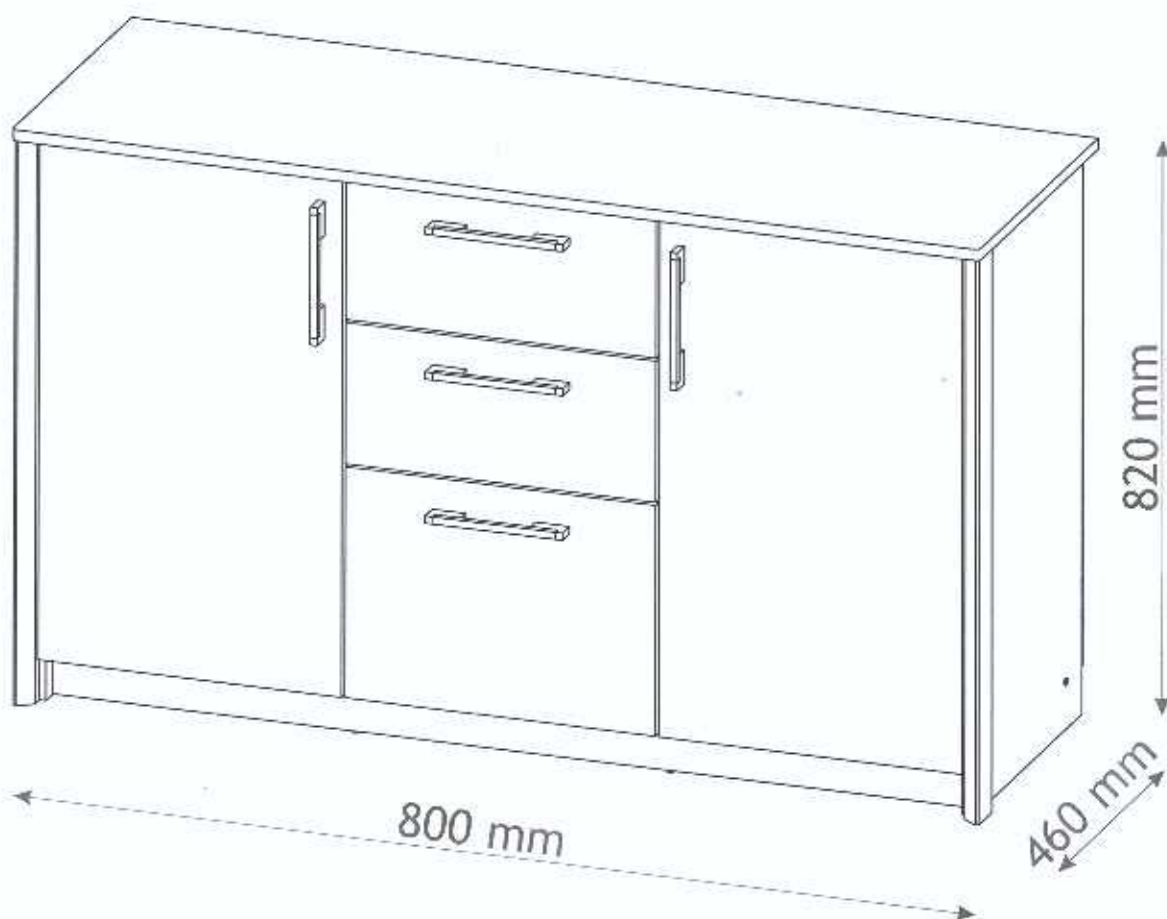
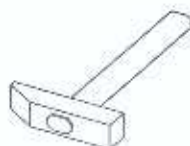
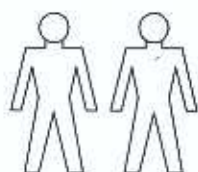


4 ▶

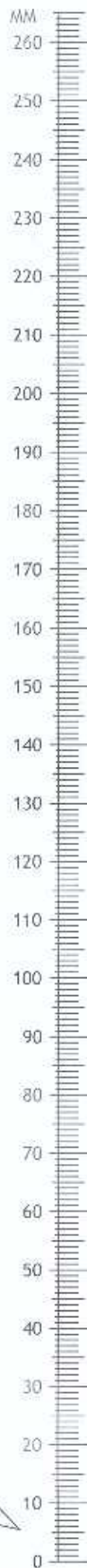




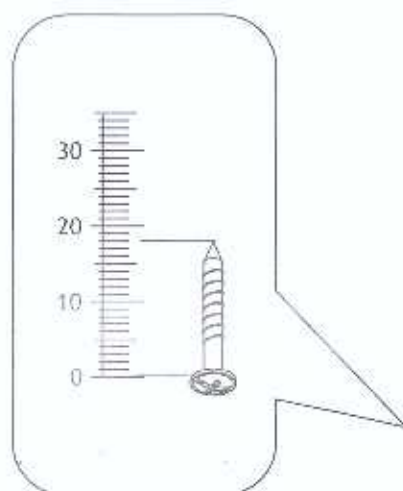
# SCARLET Chest of drawers 1360



# SCARLET Chest of drawers 1360

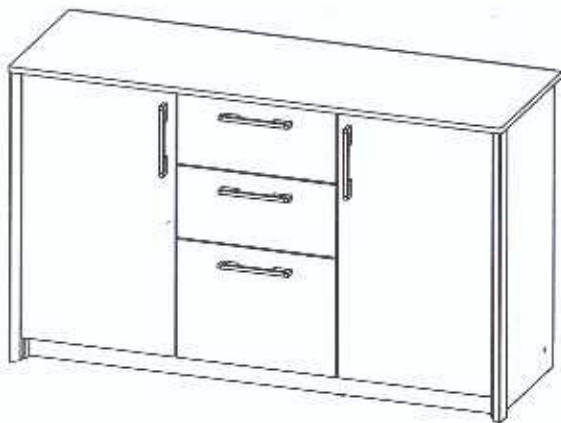


<b>(A0)</b> 8 x 32mm <b>x46</b> 	<b>(B0)</b> <b>x8</b>	<b>(B1)</b> 17 x 50 mm <b>x26</b> 
<b>(D0)</b> 3 x 15 mm <b>x12</b> 	<b>(D1)</b> 3 x 25 mm <b>x6</b> 	<b>(D10)</b> 4 x 16 mm <b>x14</b> 
<b>(D16)</b> 4,2 x 28 mm <b>x10</b> 	<b>(D21)</b> 5 x 13 mm <b>x40</b> 	<b>(D30)</b> 6,3 x 13 mm <b>x8</b> 
<b>(I1)</b> <b>x4</b>	<b>(I6)</b> <b>x4</b>	<b>(K)</b> 4mm <b>x1</b>
<b>(N8)</b> <b>x3</b> L-400mm	<b>(Q0)</b> <b>x8</b>	<b>(T3)</b> <b>x10</b>
<b>(T8)</b> <b>x90</b>	<b>x5</b>	<b>x3</b>

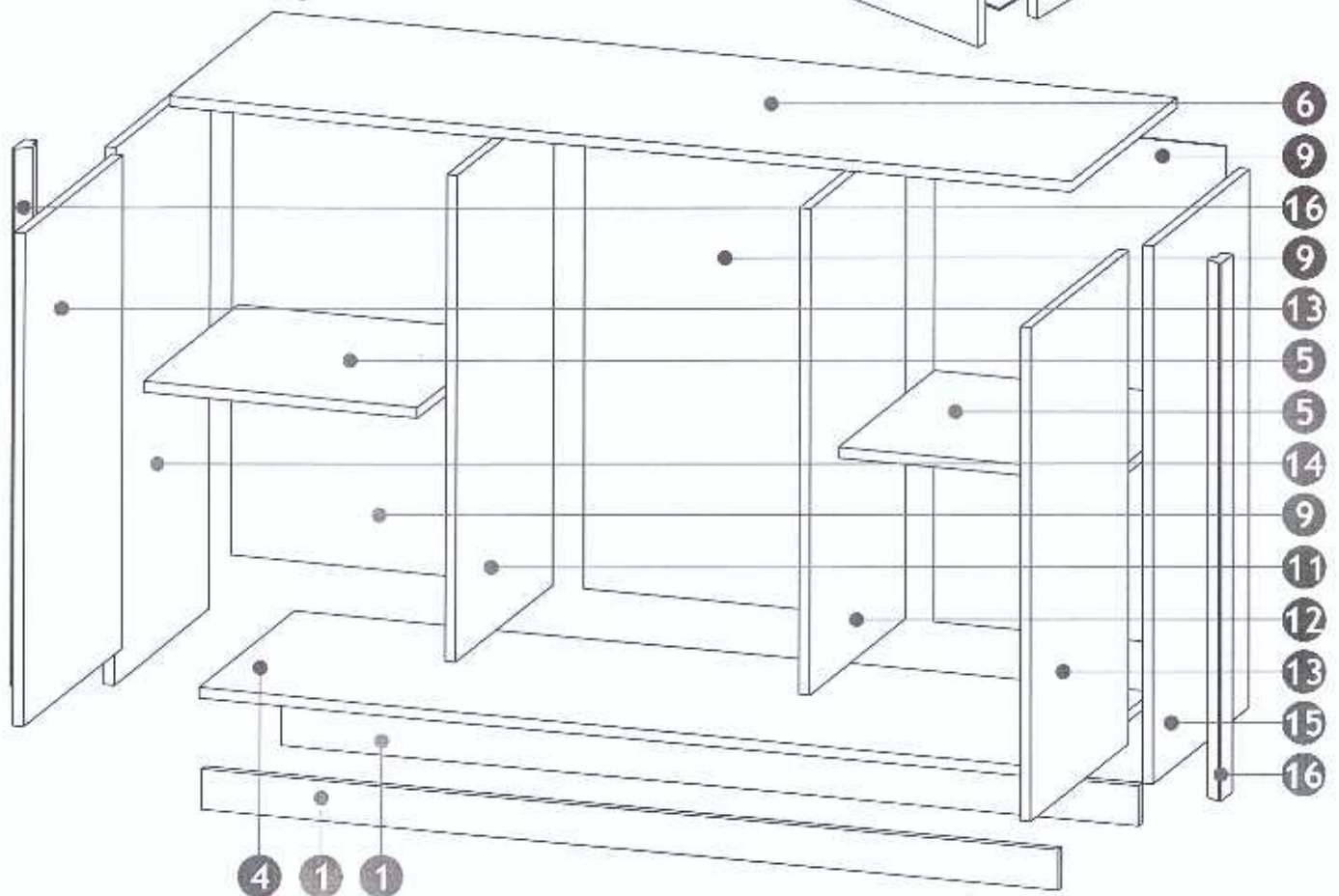
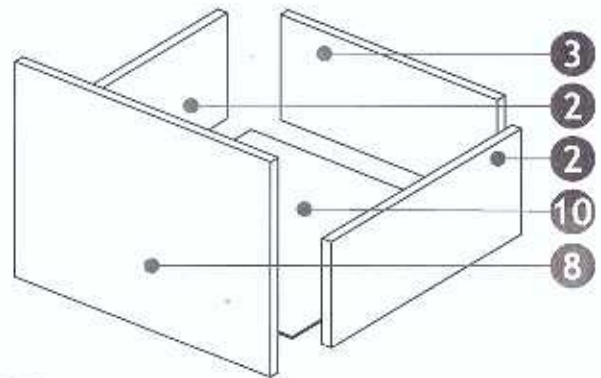
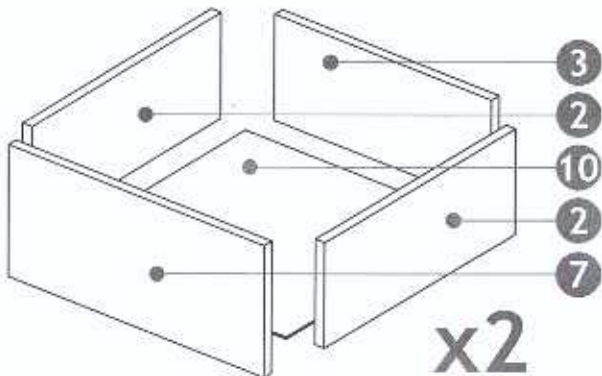


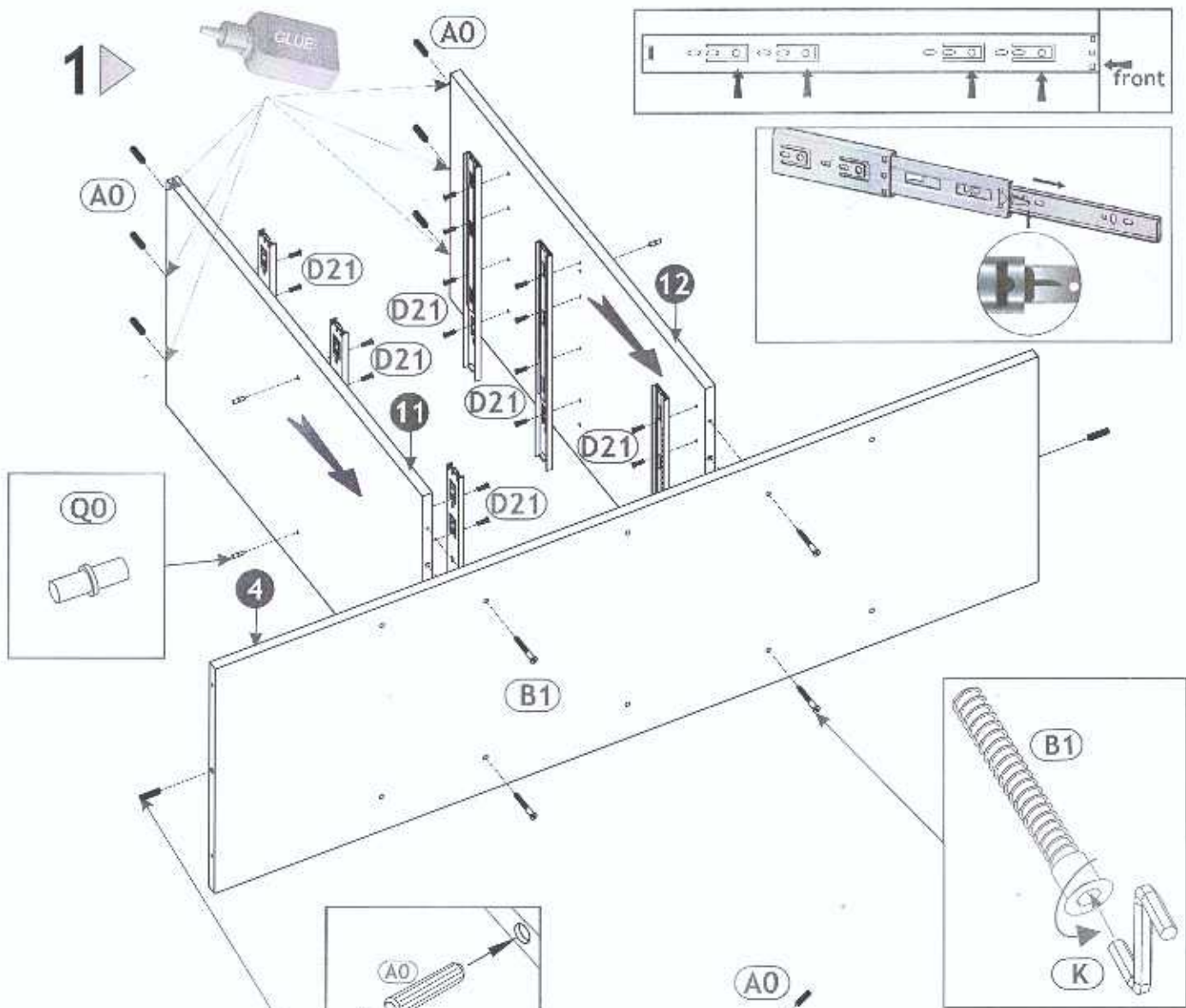


# SCARLET Chest of drawers 1360

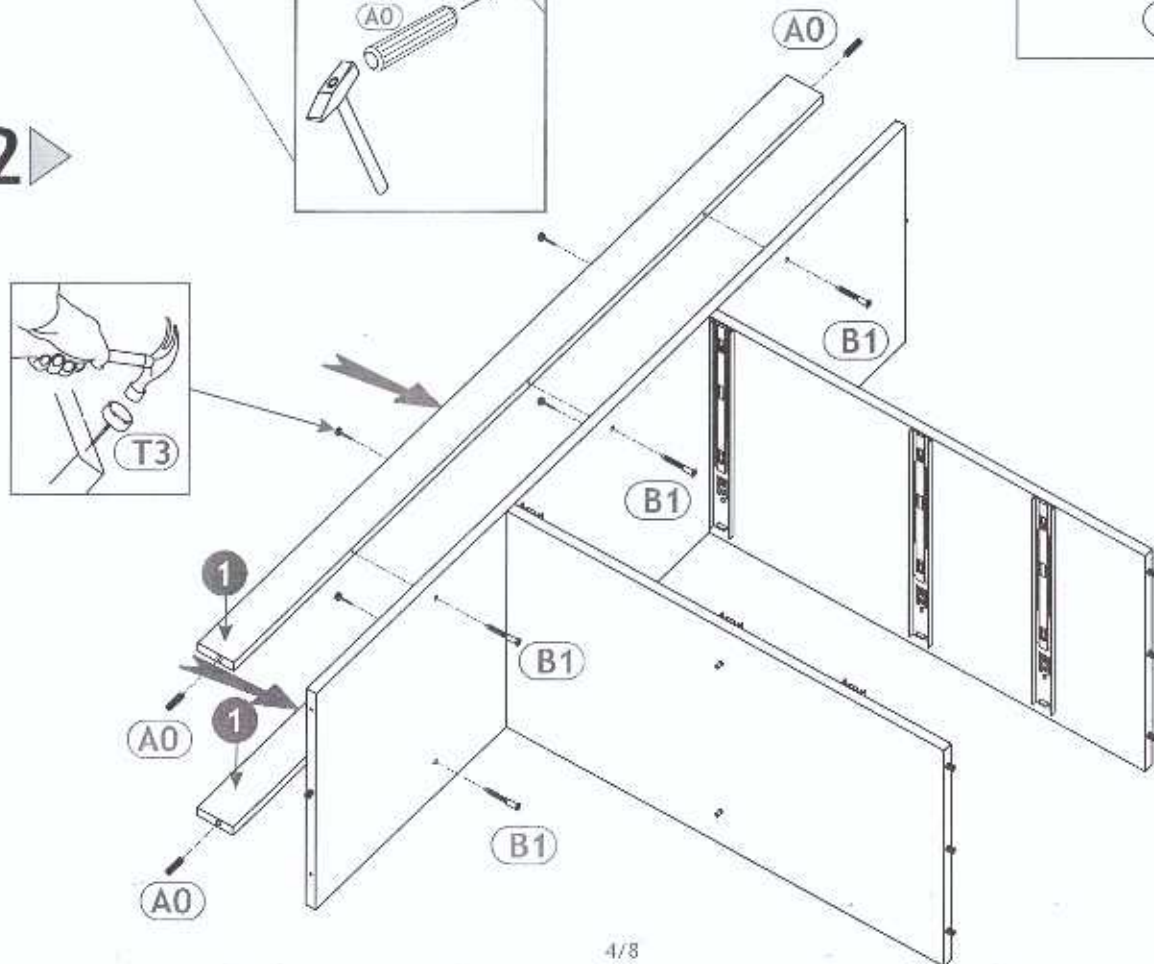


1	1291	60	16	x2	1/2	9	748	440	2,5	x3	1/2
2	160	400	16	x6	1/2	10	405	398	2,5	x3	1/2
3	160	370	16	x3	1/2	11	724	420	16	x1	2/2
4	1291	420	16	x1	1/2	12	724	420	16	x1	2/2
5	416	420	16	x2	1/2	13	734	427	16	x2	2/2
6	1365	461	16	x1	1/2	14	800	420	16	x1	2/2
7	438	200	16	x2	1/2	15	800	420	16	x1	2/2
8	438	326	16	x1	1/2	16	800	55	25	x2	1/2
											1/2

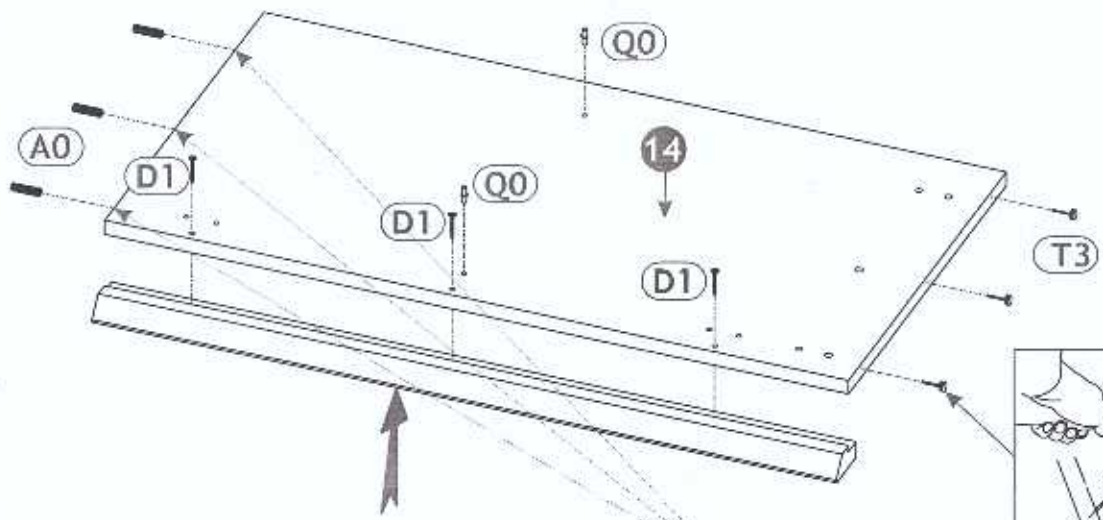




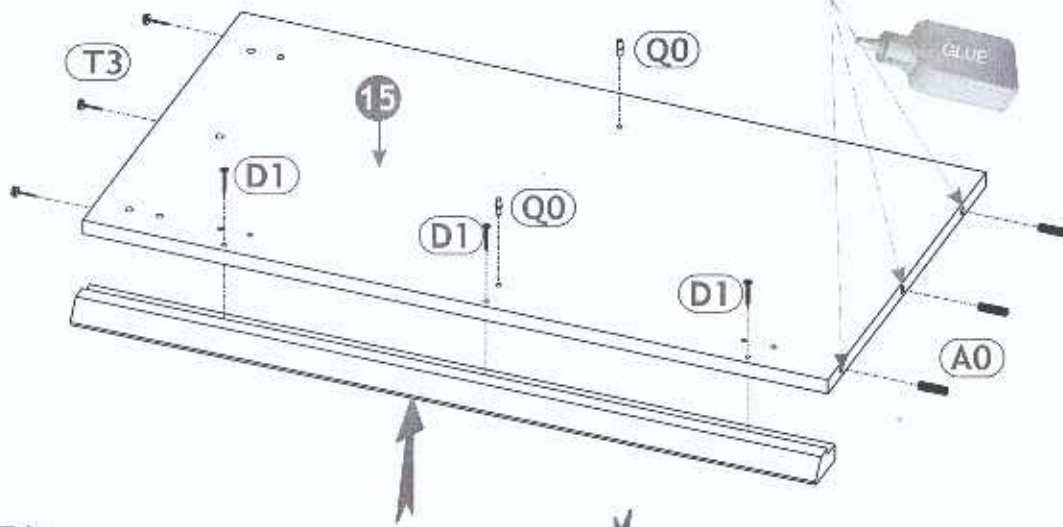
**2**



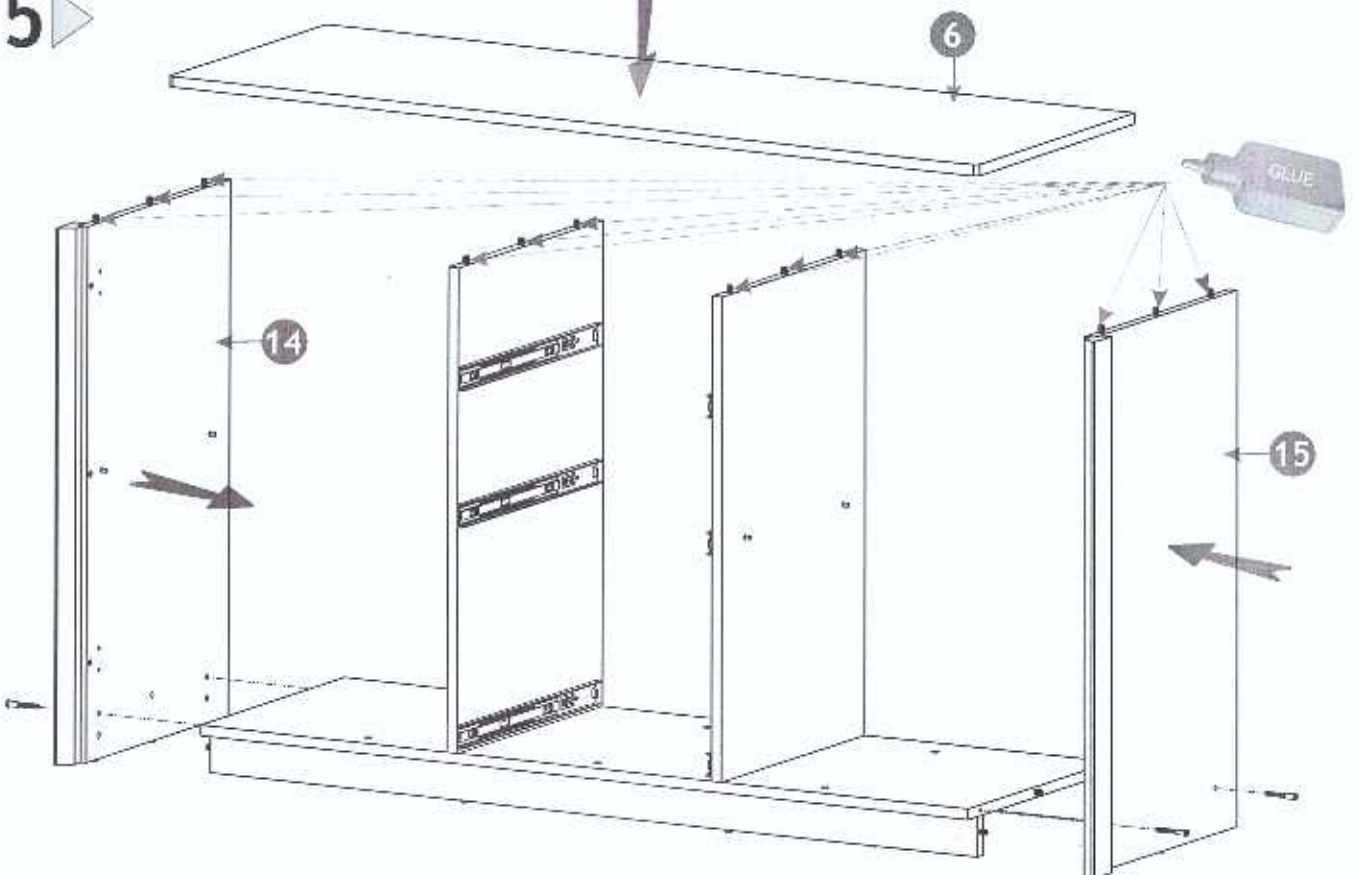
3 ▶



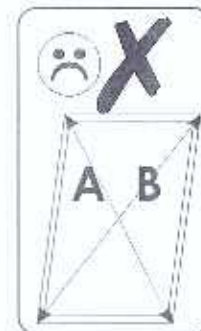
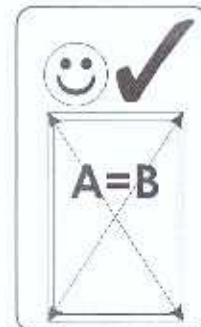
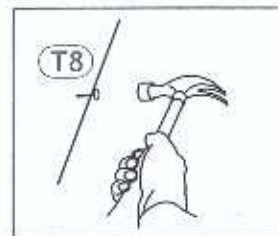
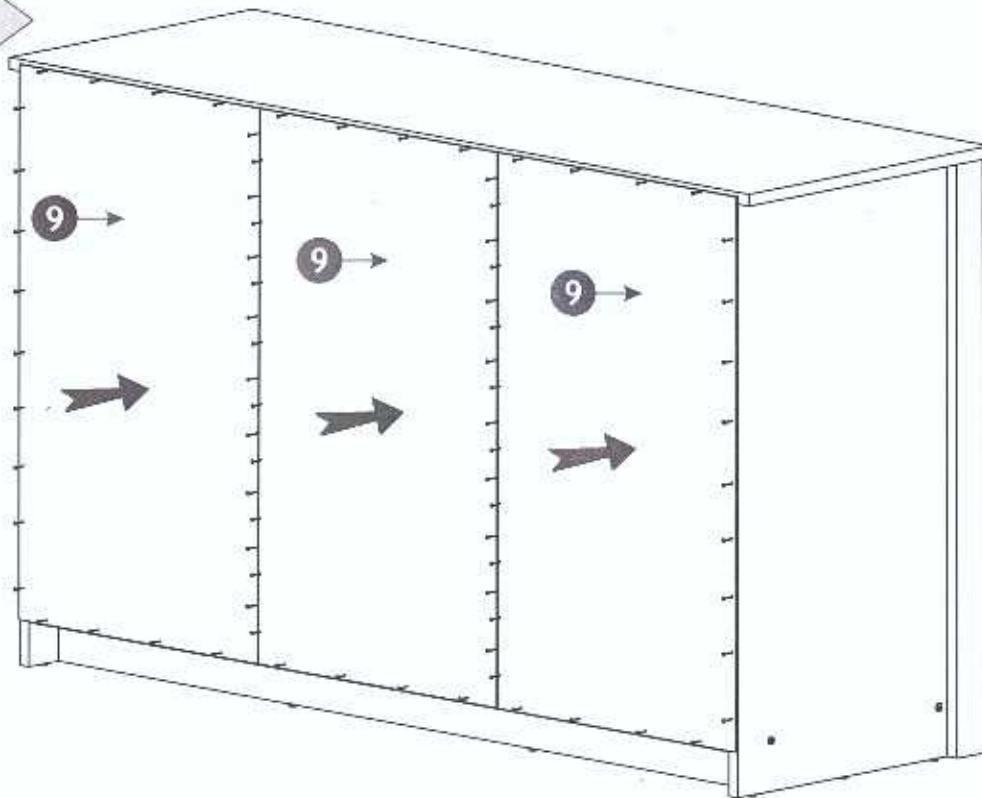
4 ▶



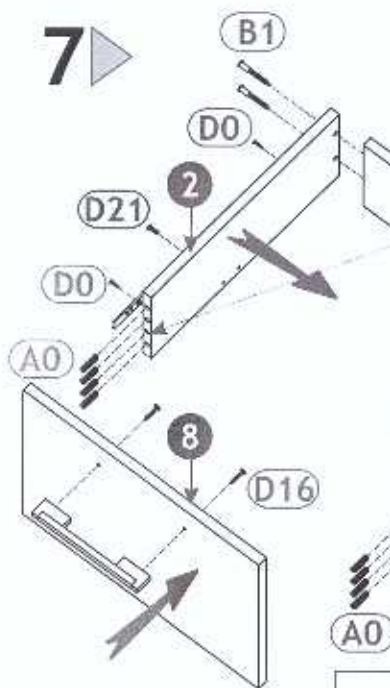
5 ▶



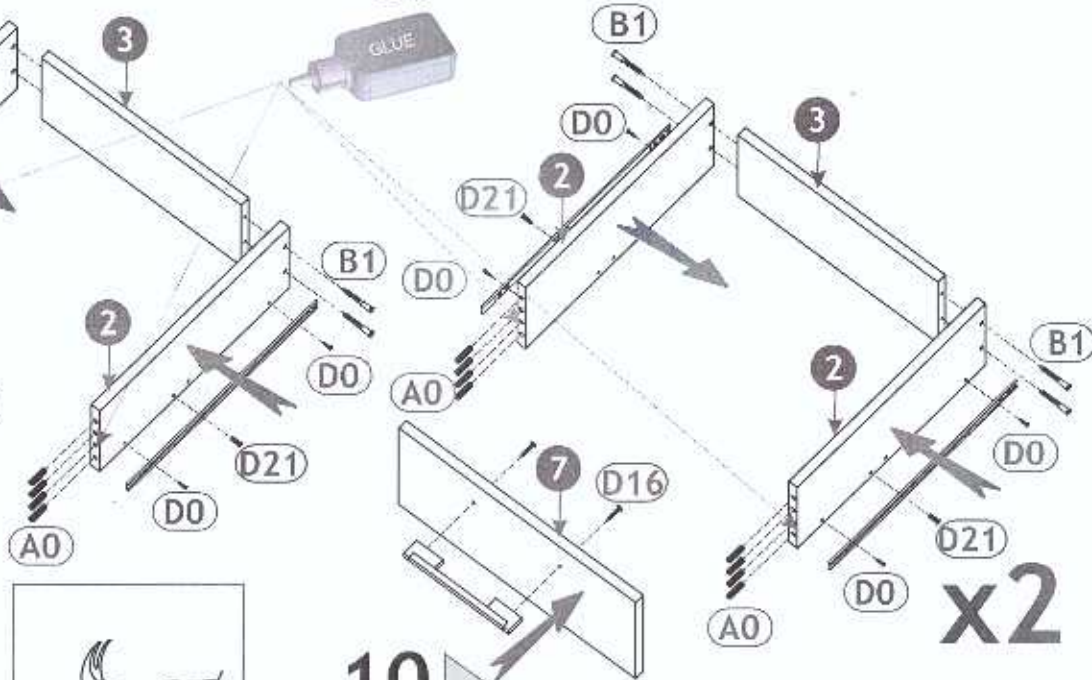
6 ▶



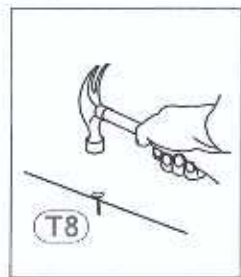
7 ▶



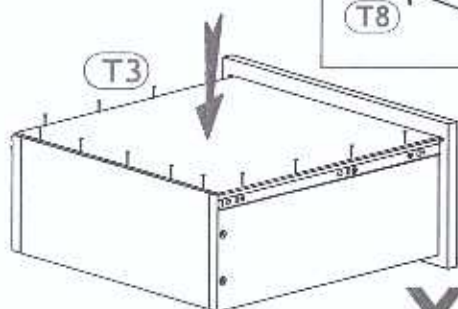
8 ▶



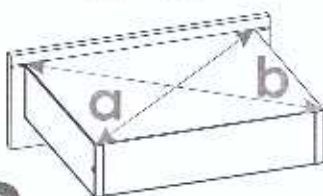
9 ▶



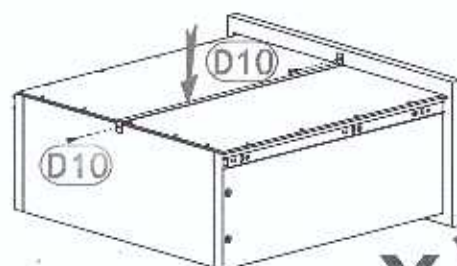
10 ▶



$a=b$

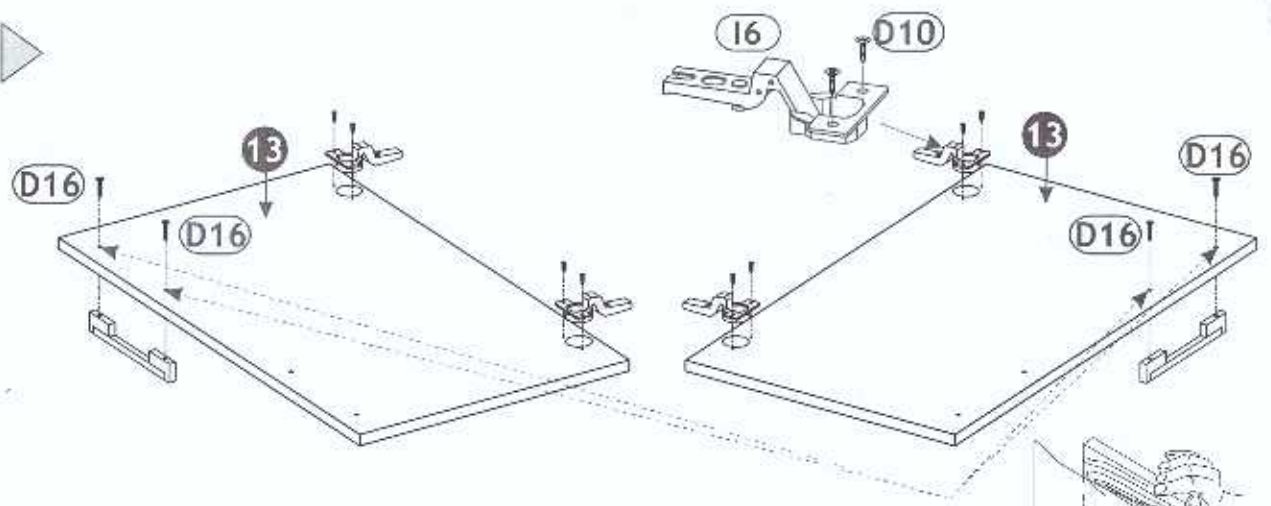


x3

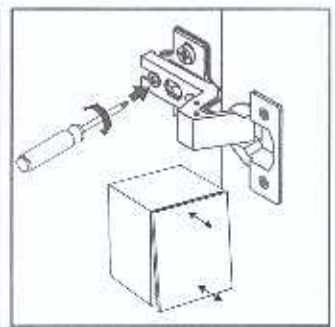
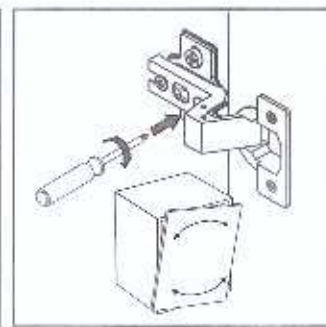
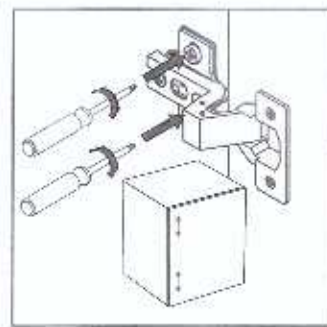
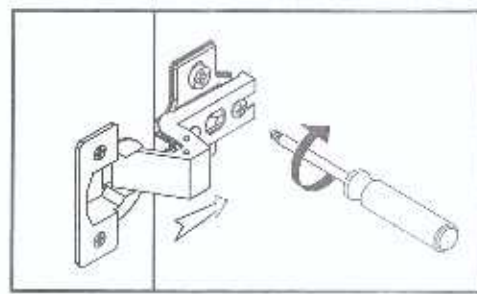
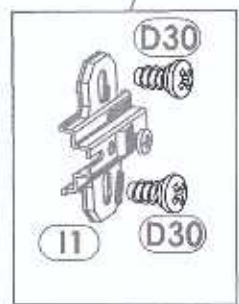
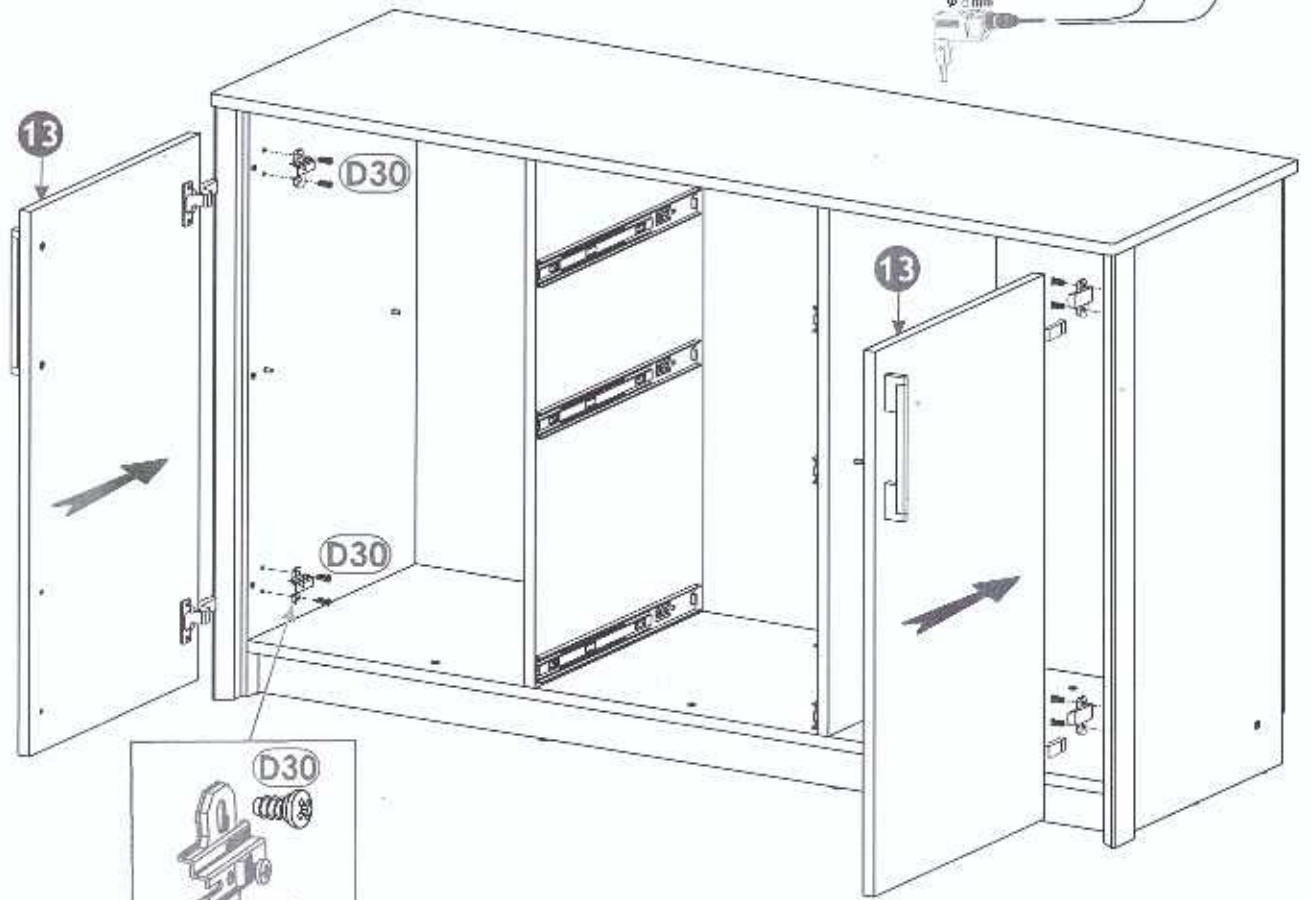


x3

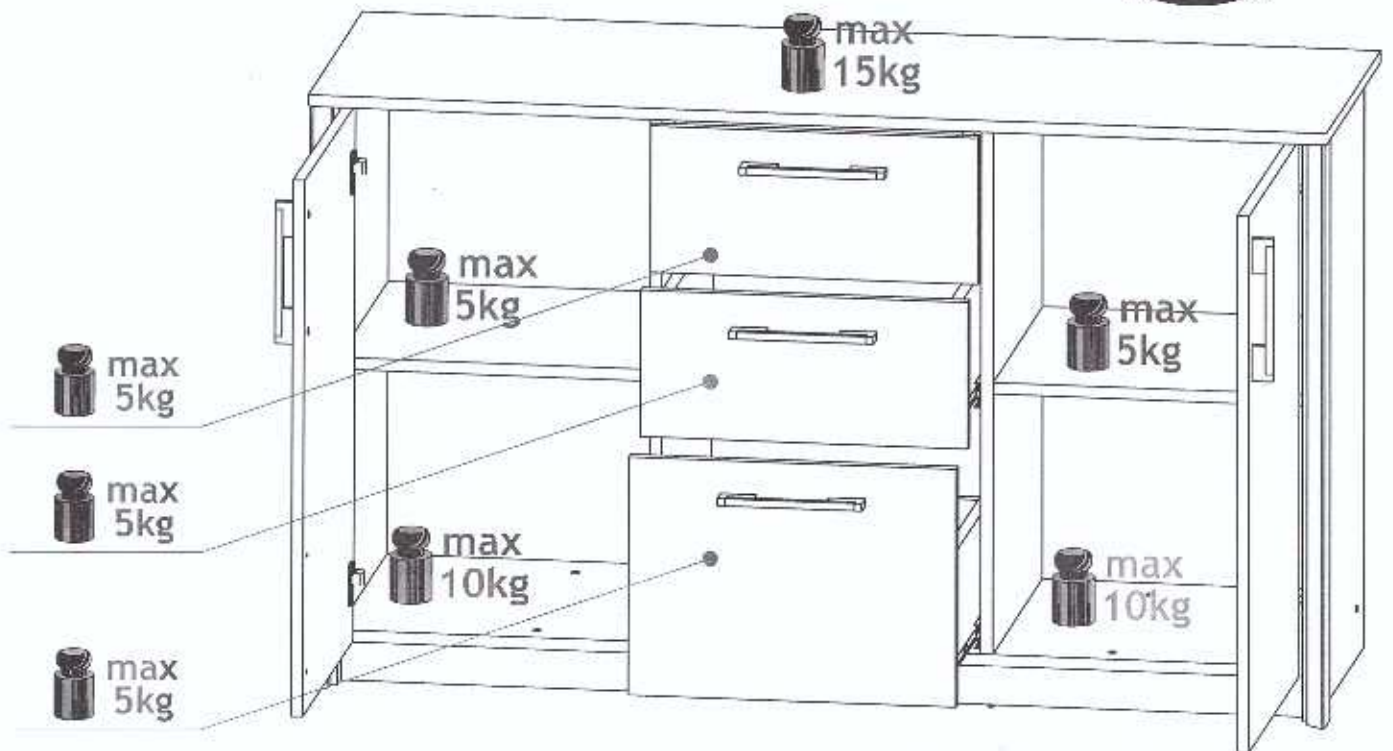
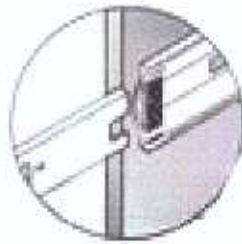
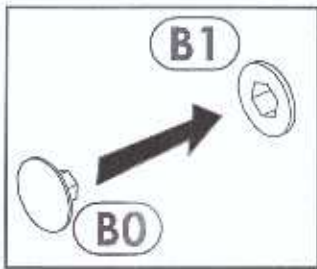
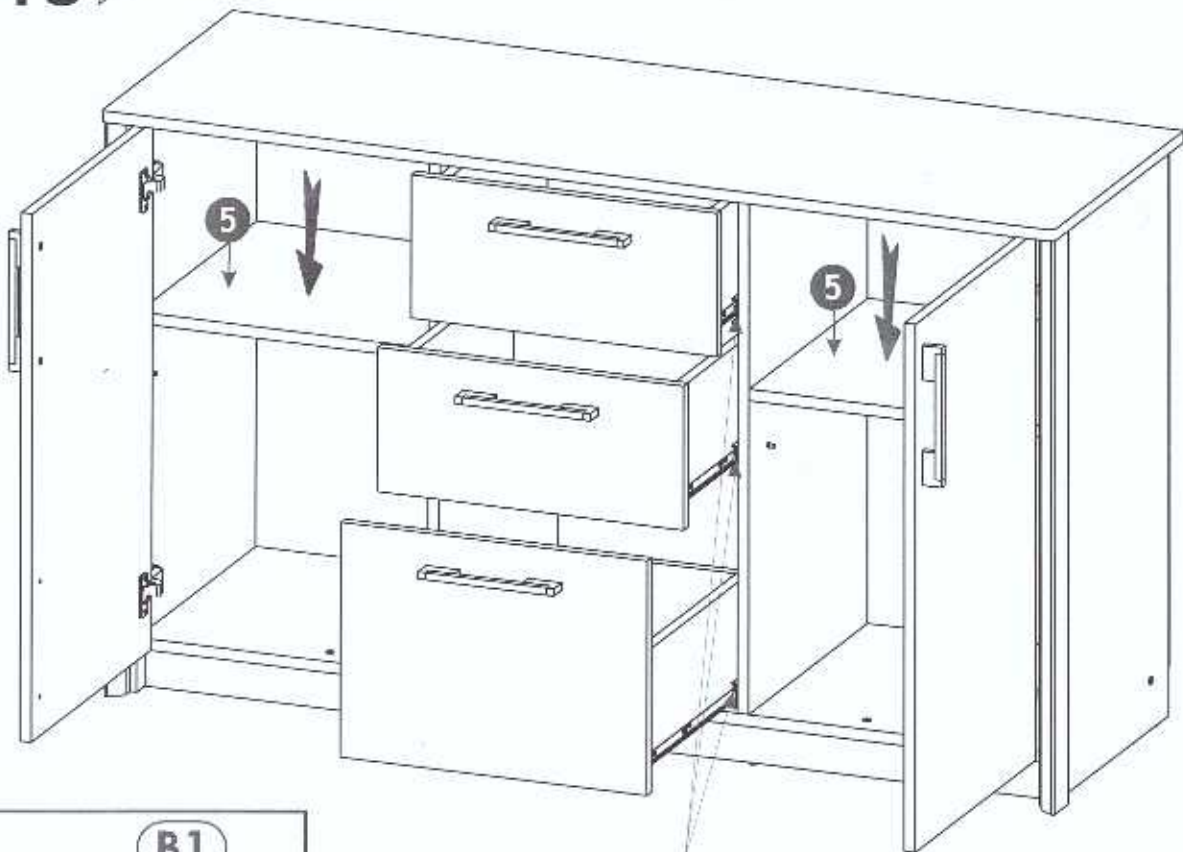
# 11 ▶



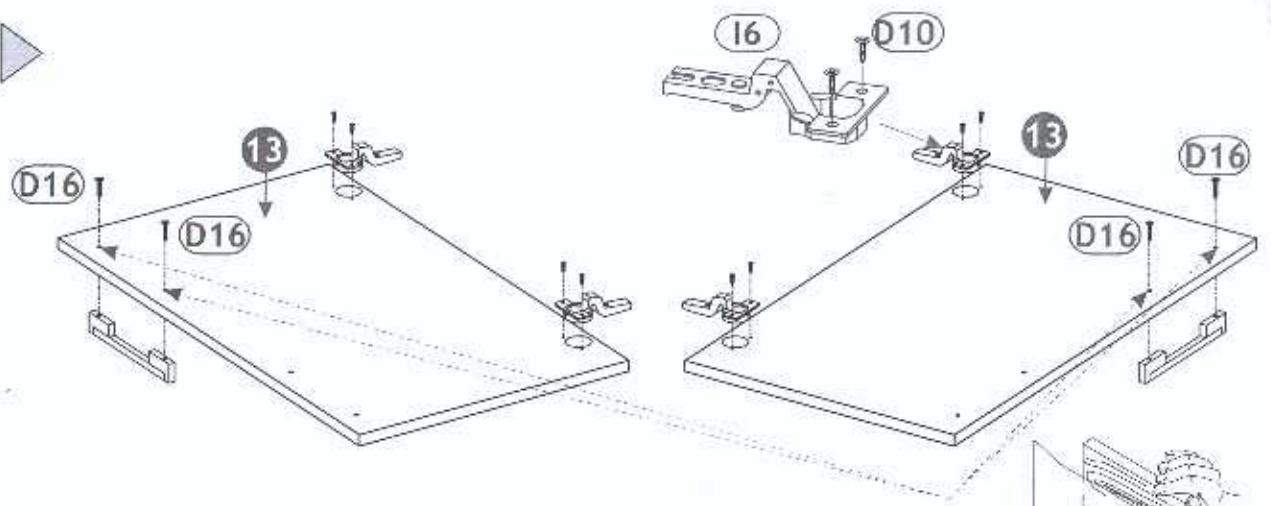
# 12 ▶



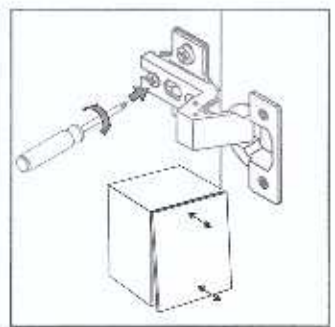
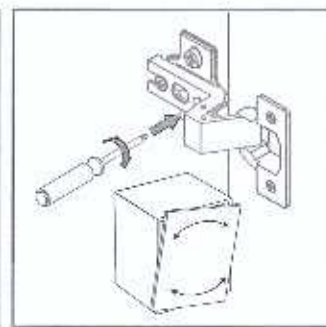
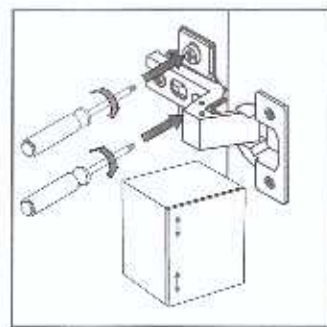
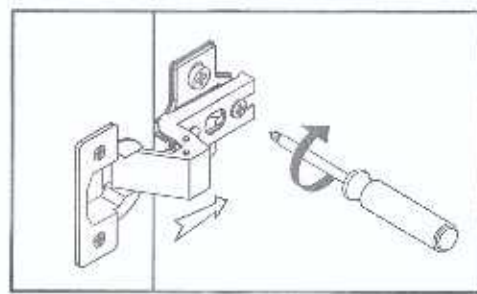
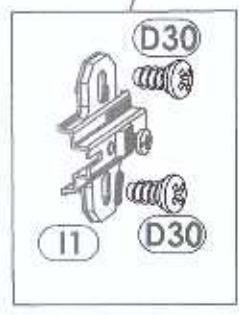
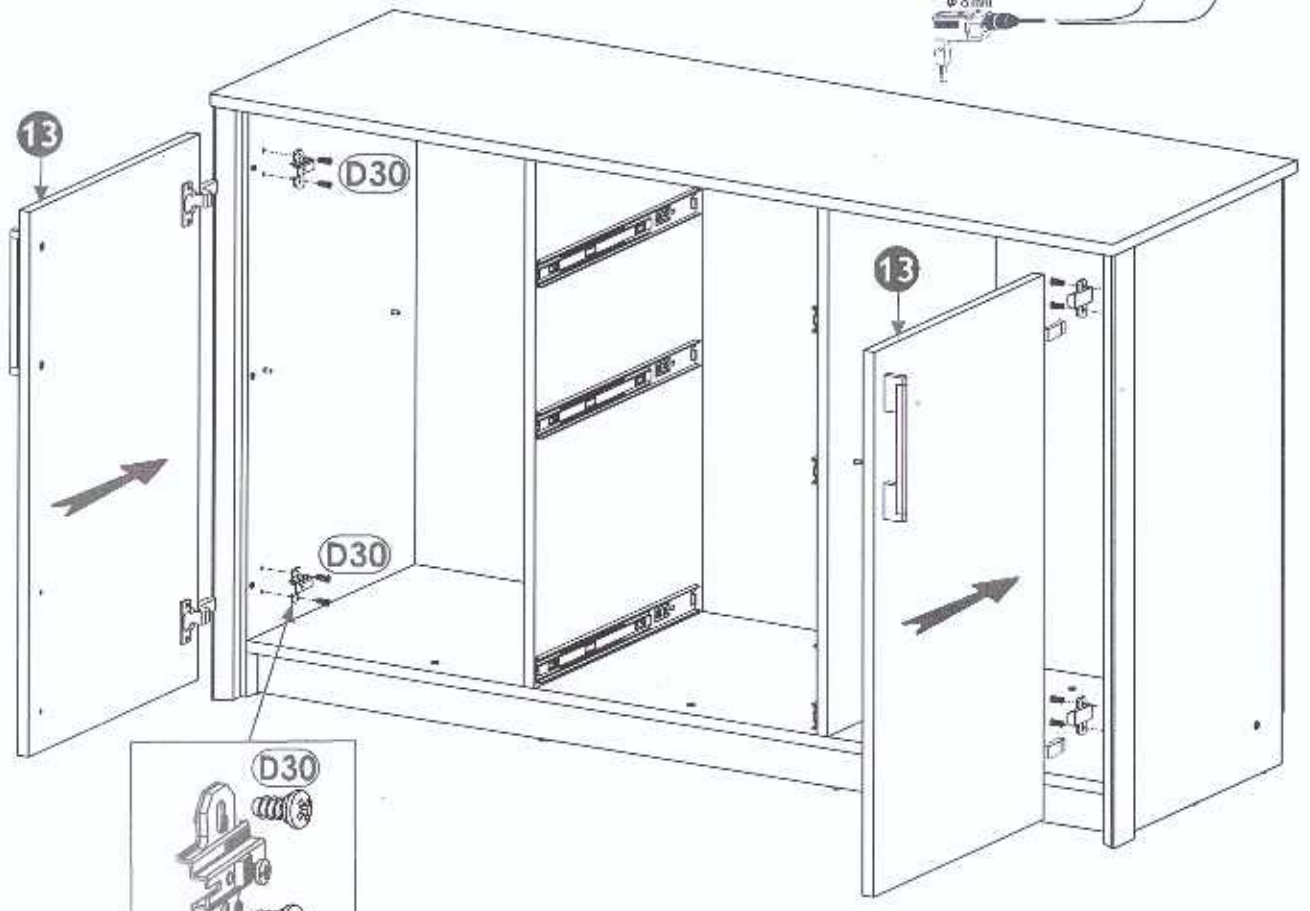
13 ▶



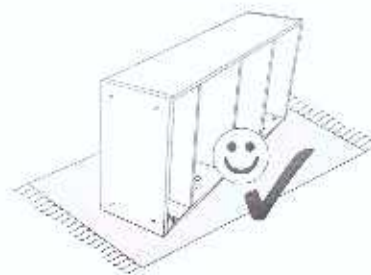
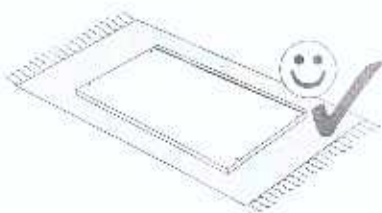
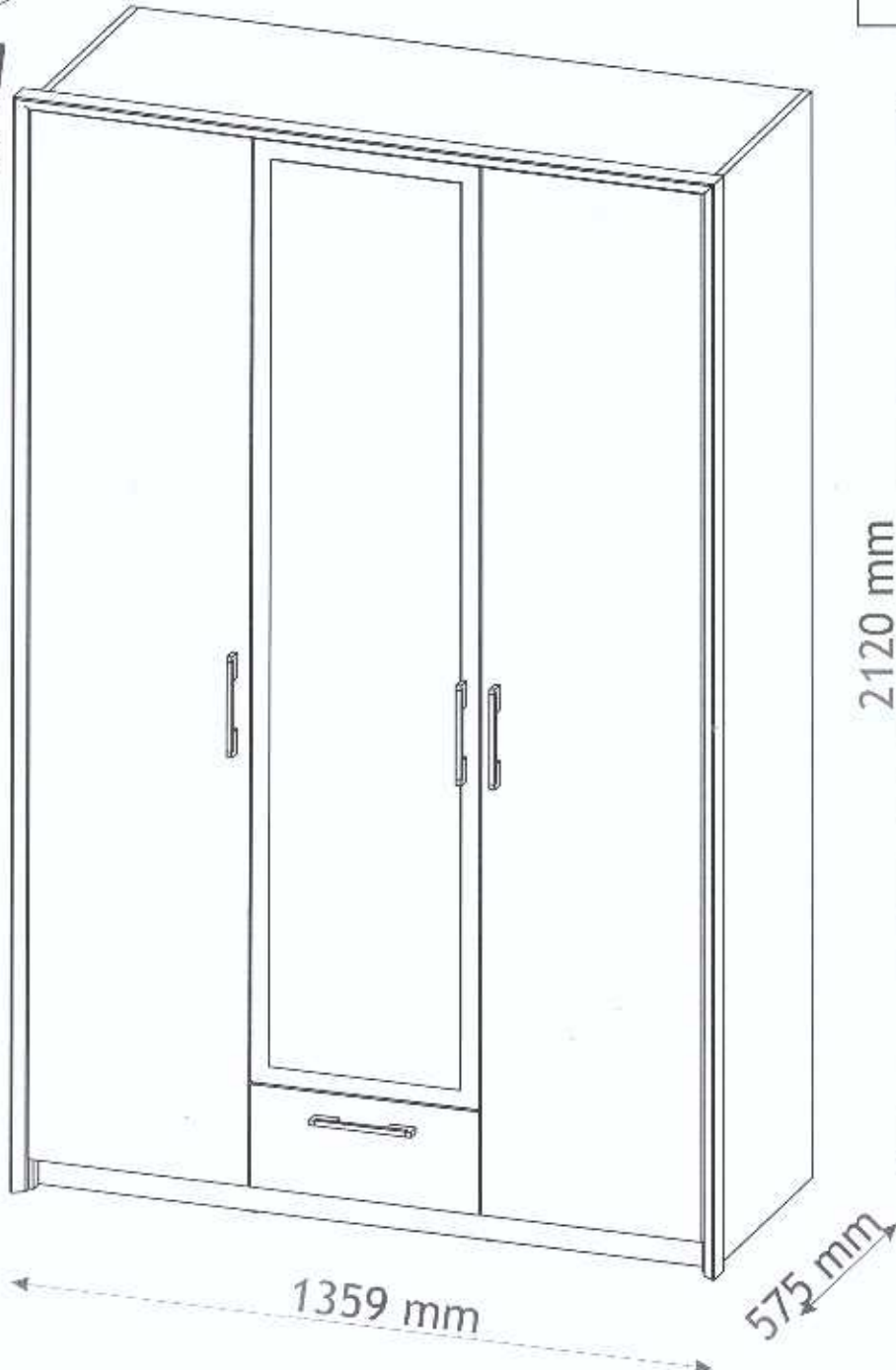
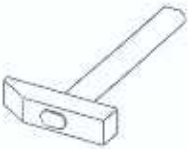
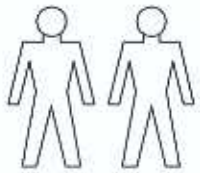
# 11 ▶



# 12 ▶

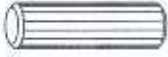



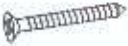

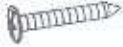





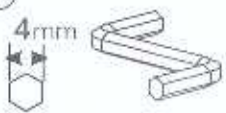

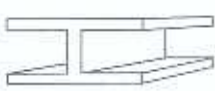





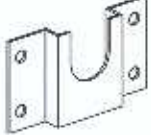


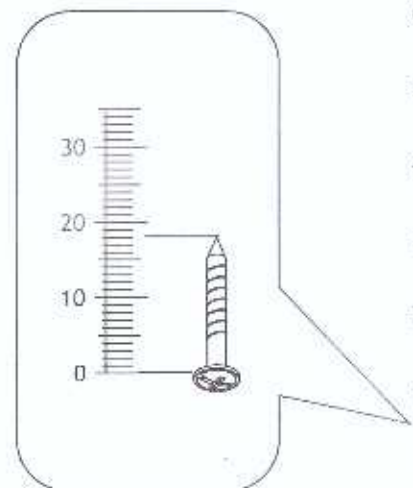
# SCARLET Wardrobe 3D



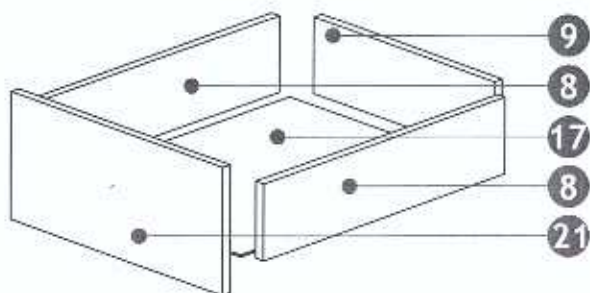


# SCARLET Wardrobe 3D

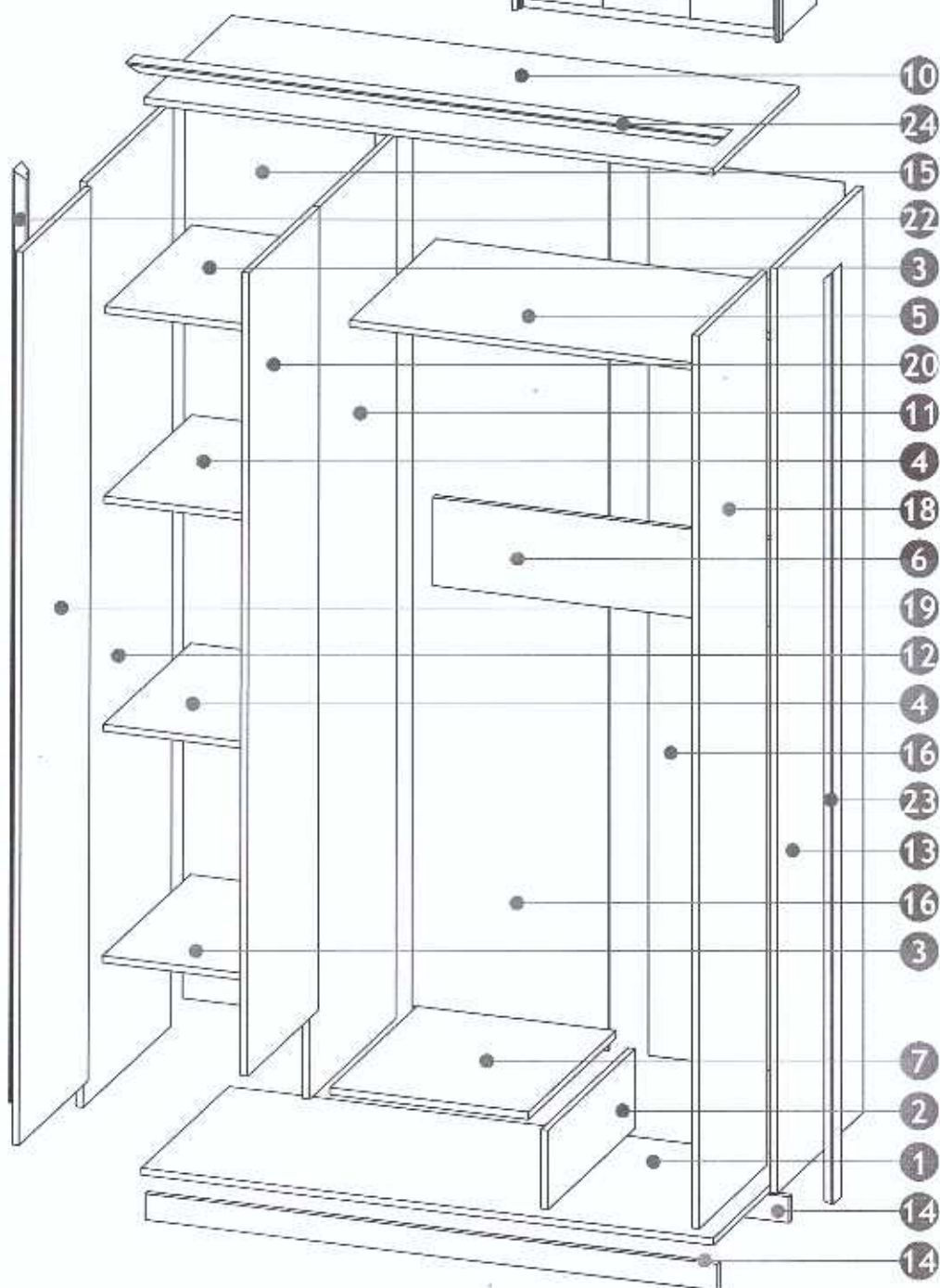
<b>A0</b> 8 x 32mm <b>x23</b> 	<b>B0</b>  <b>x20</b>	<b>B1</b> 7 x 50 mm <b>x40</b> 
<b>D0</b> 3 x 15 mm <b>x16</b> 	<b>D1</b> 3 x 25 mm <b>x13</b> 	<b>D10</b> 4 x 16 mm <b>x24</b> 
<b>D16</b> 4,2 x 28 mm <b>x8</b> 	<b>D21</b> 5 x 13 mm <b>x14</b> 	<b>D30</b> 6,3 x 13 mm <b>x24</b> 
<b>I1</b>  <b>x12</b>	<b>I4</b>  <b>x8</b>	<b>I6</b>  <b>x4</b>
<b>K</b> 4mm  <b>x1</b>	<b>N9</b>  L-500mm <b>x1</b>	<b>R5</b>  <b>x1</b>
<b>S0</b>  <b>x1</b>	<b>Q0</b>  <b>x8</b>	<b>T3</b>  <b>x10</b>
<b>T8</b>  <b>x120</b>	 <b>x4</b>	 <b>x2</b>

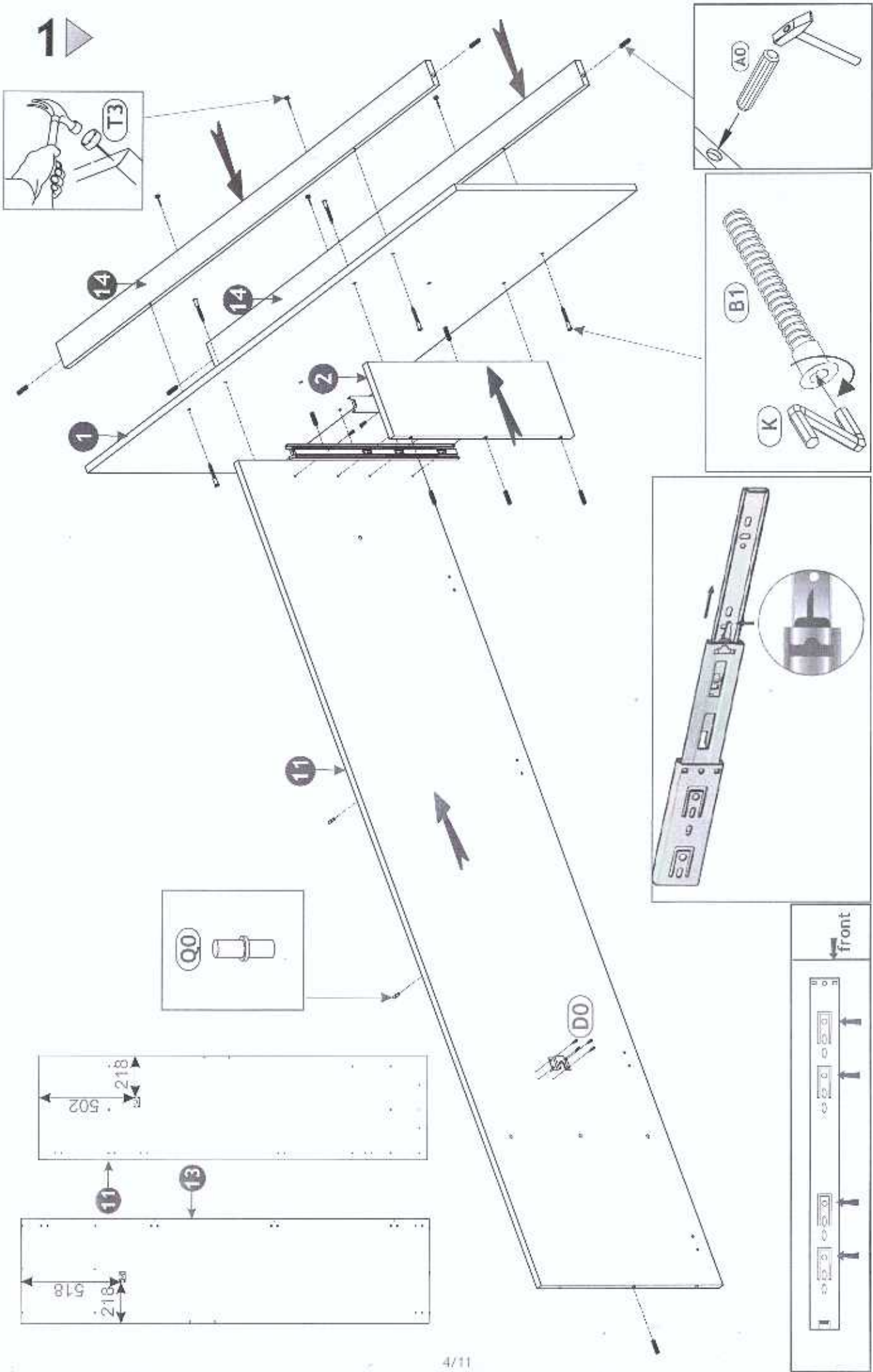


# SCARLET Wardrobe 3D

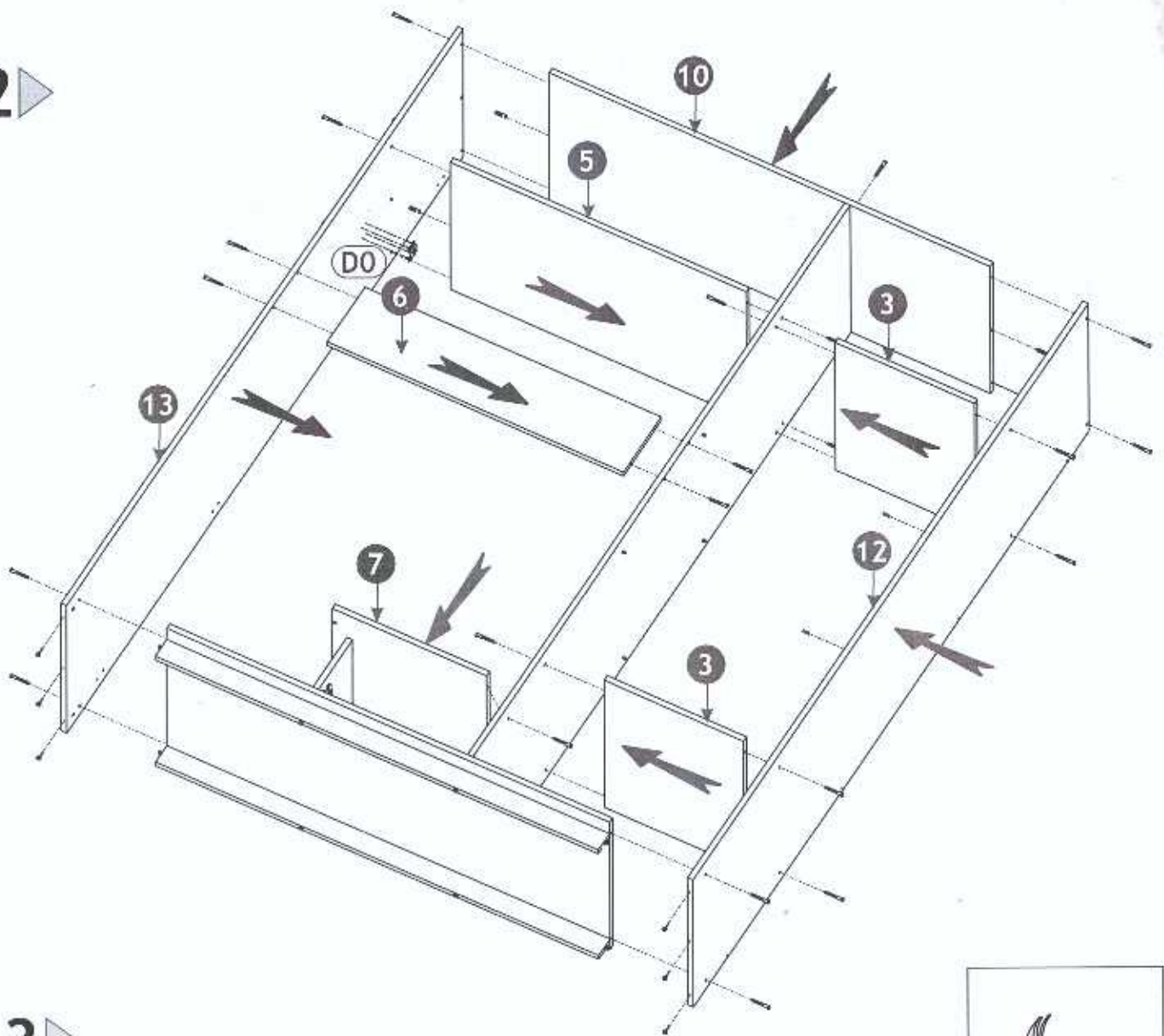


1	1291	540	16	x1	1/3
2	180	540	16	x1	1/3
3	408	540	16	x2	1/3
4	408	540	16	x2	1/3
5	867	540	16	x1	1/3
6	867	200	16	x1	1/3
7	450	540	16	x1	1/3
8	500	120	16	x2	1/3
9	376	120	16	x1	1/3
10	1291	540	16	x1	1/3
11	2008	540	16	x1	2/3
12	2100	540	16	x1	2/3
13	2100	540	16	x1	2/3
14	1291	60	16	x2	2/3
15	2036	431	3	x1	2/3
16	2036	444	3	x2	2/3
17	406	505	3	x1	2/3
18	2028	427	16	x1	3/3
19	2028	427	16	x1	3/3
20	1824	438	16	x1	3/3
21	438	200	16	x1	3/3
22	2118	55	25	x1	2/3
23	2118	55	25	x1	2/3
24	1359	55	25	x1	2/3
					1/3

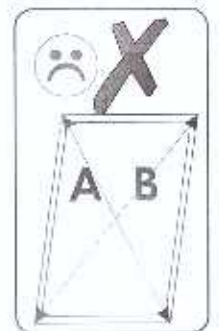
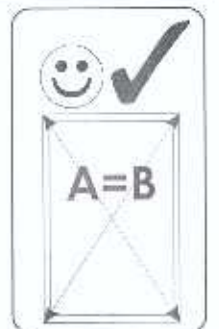
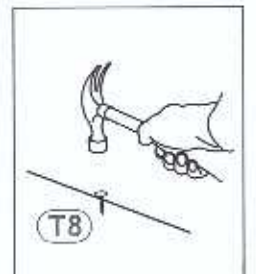
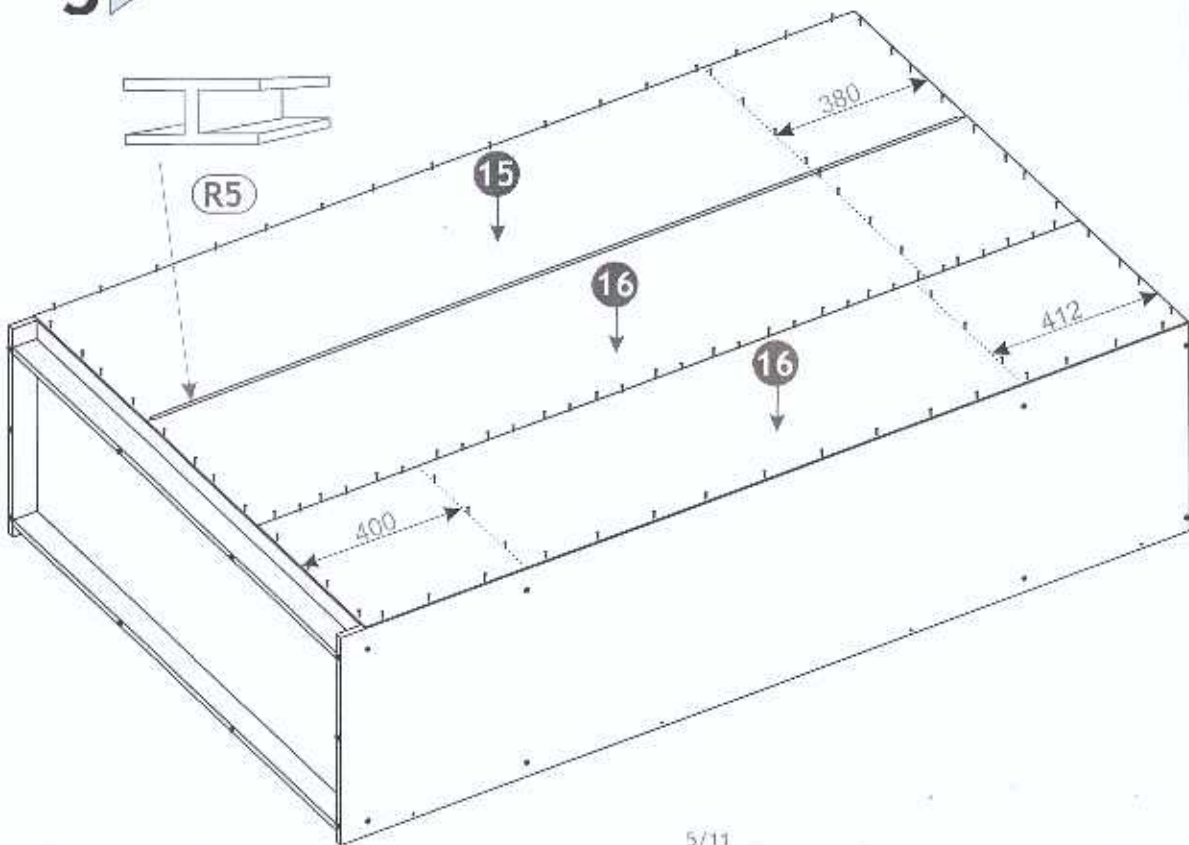




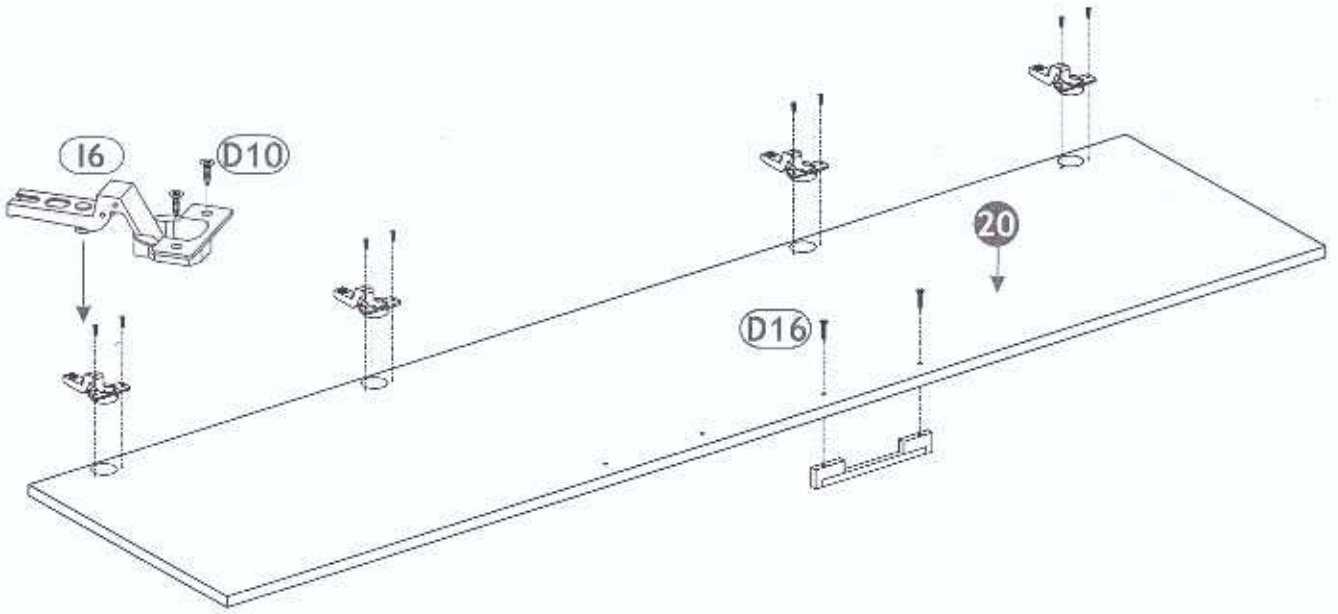
2 ▶



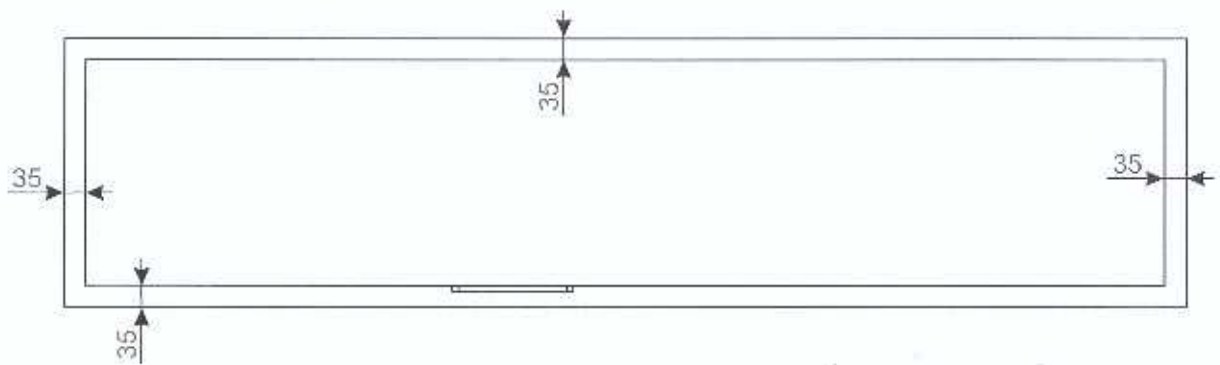
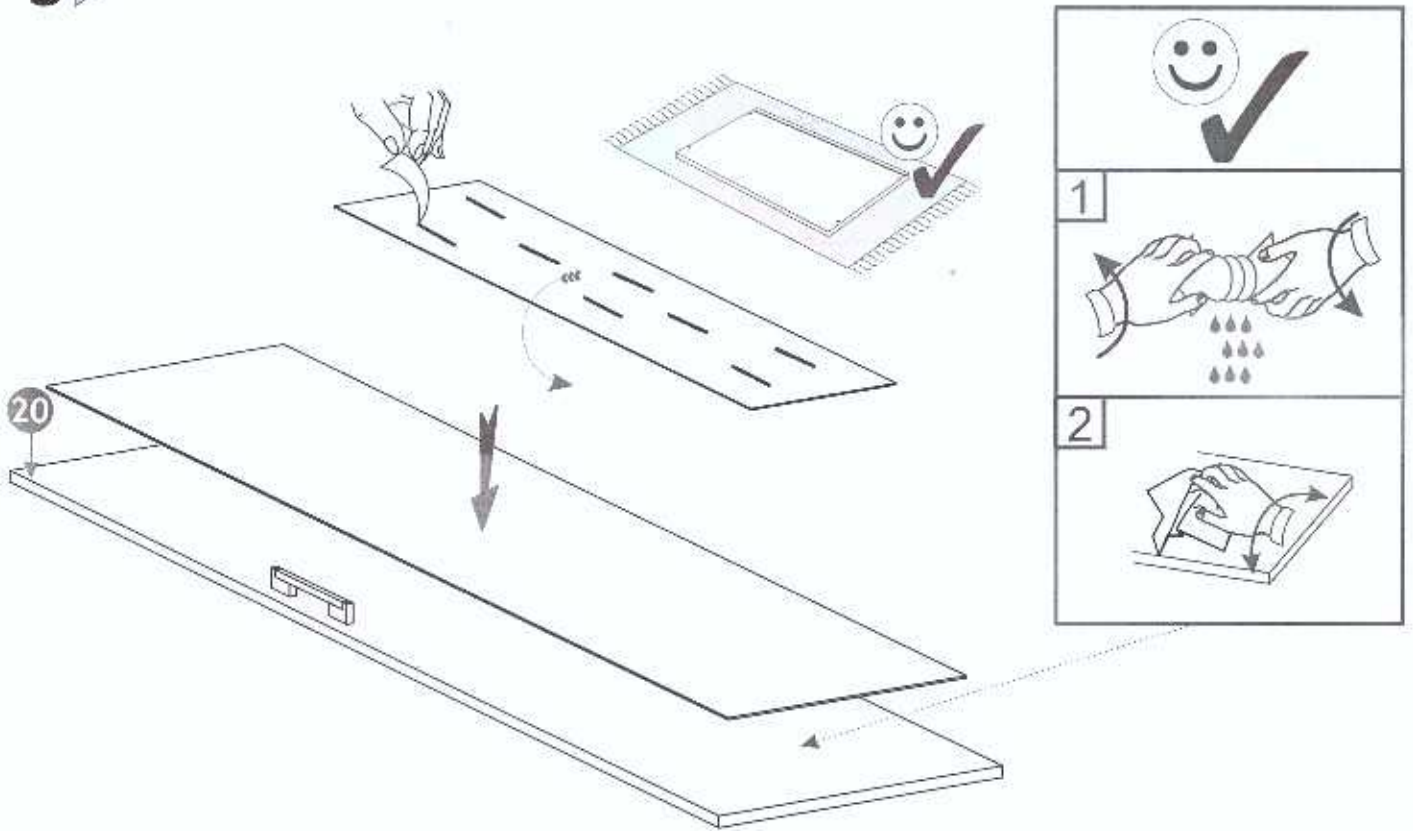
3 ▶



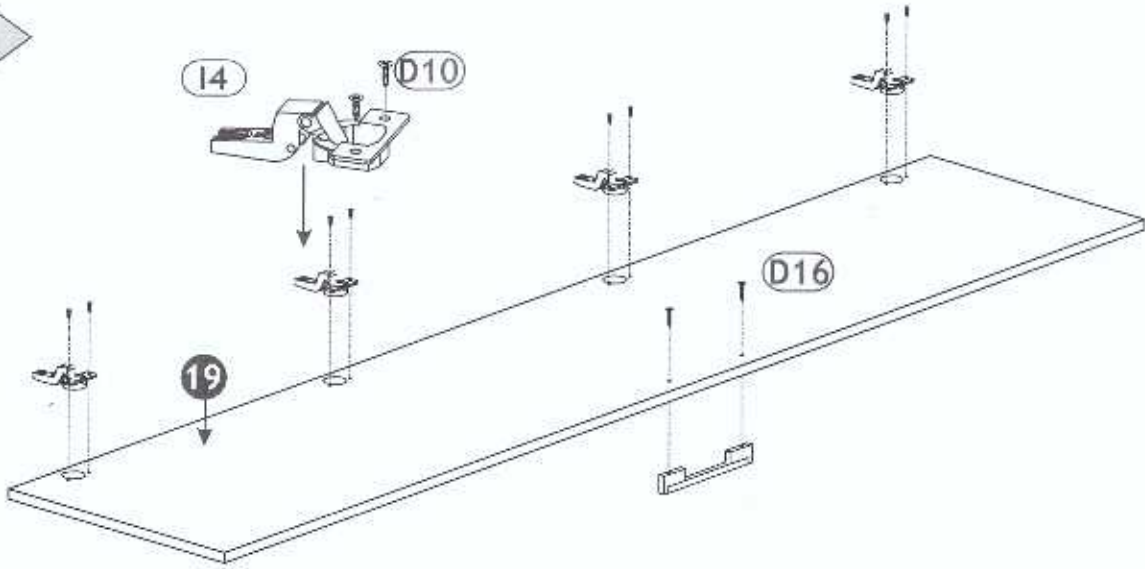
4 ▶



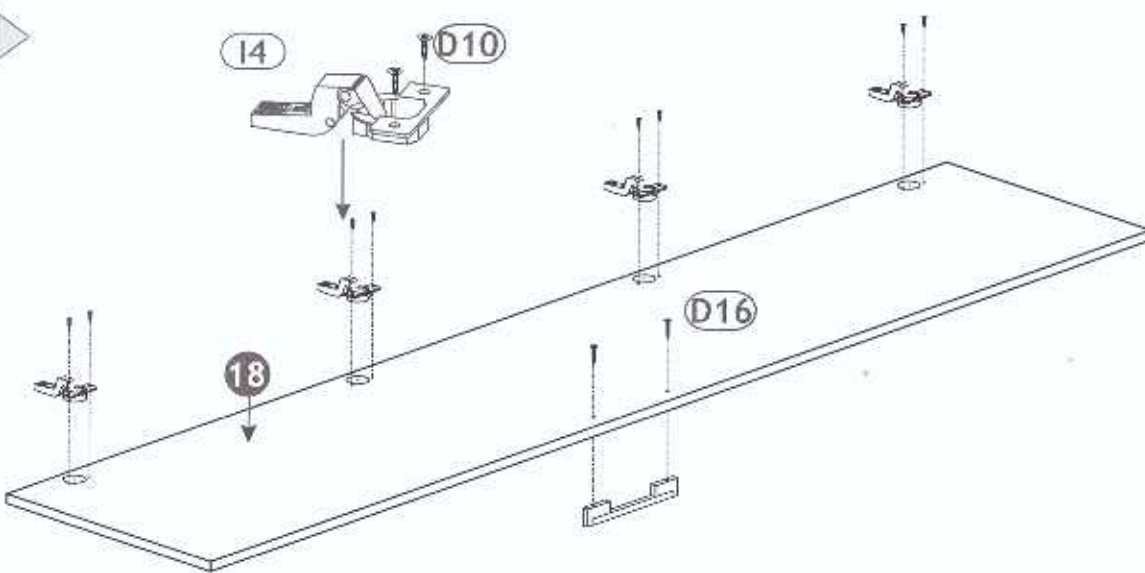
5 ▶



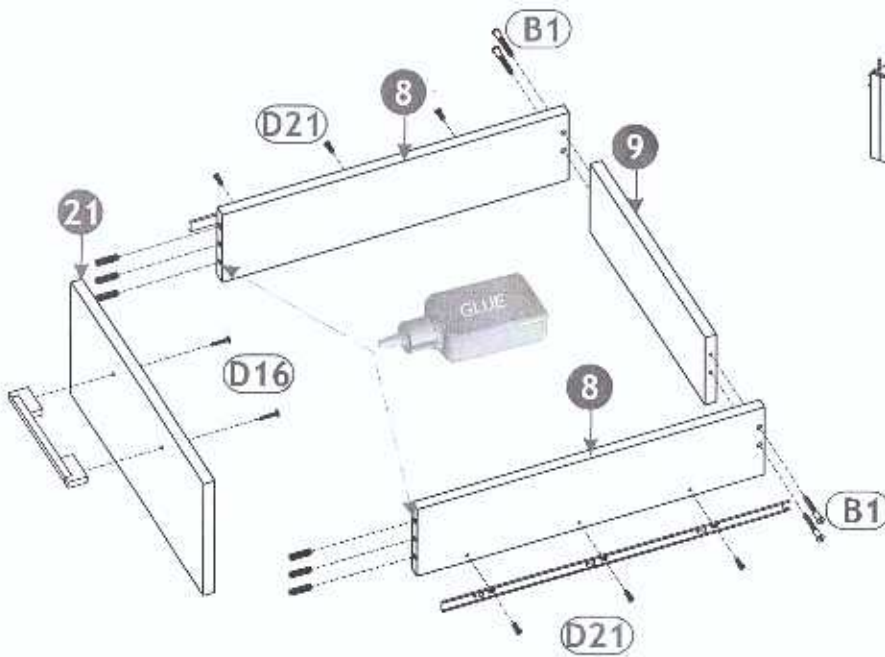
6 ▶



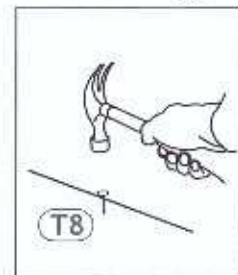
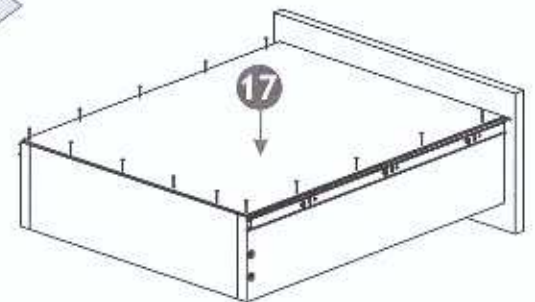
7 ▶



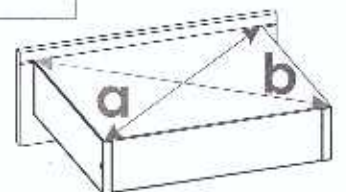
8 ▶



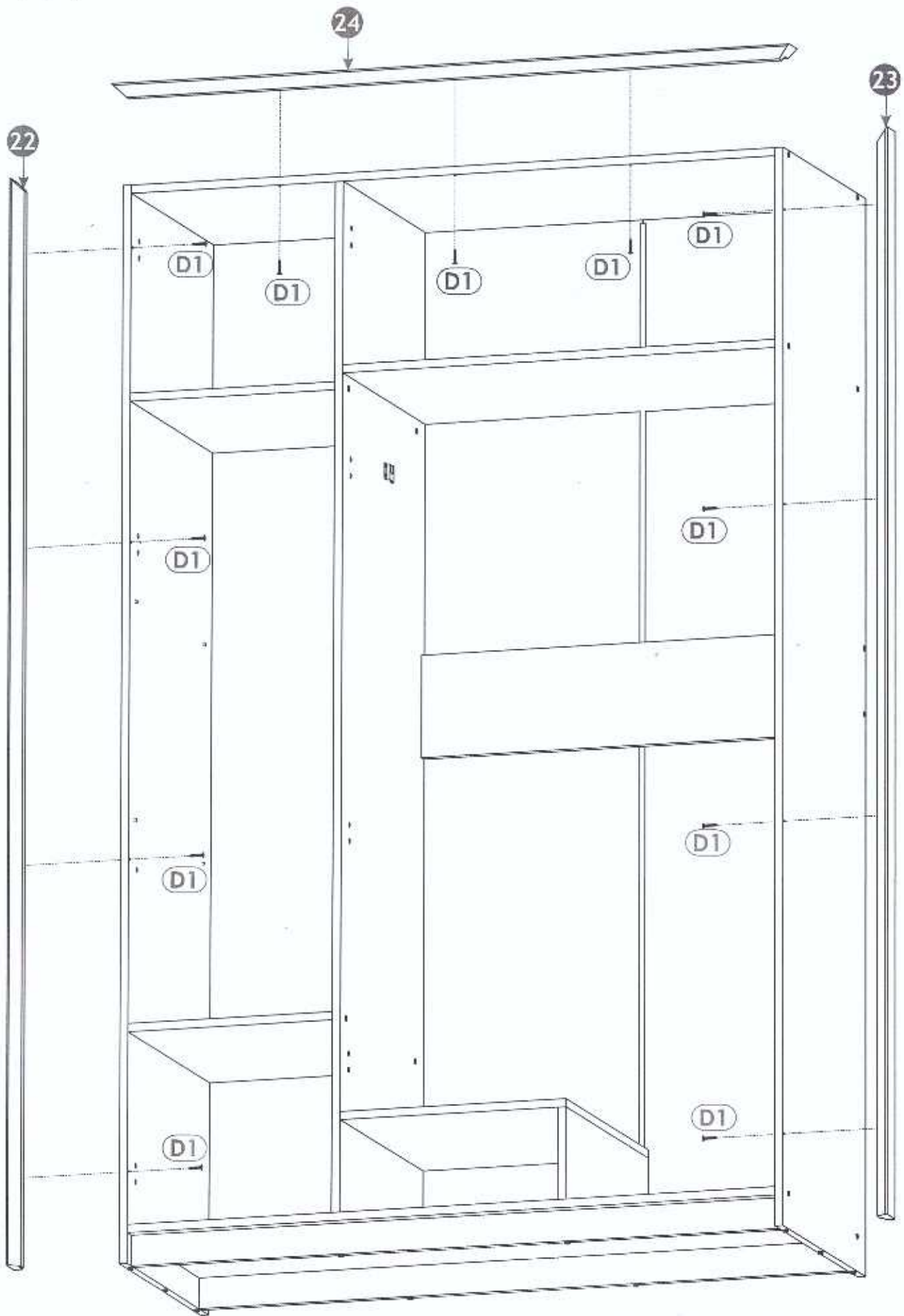
9 ▶



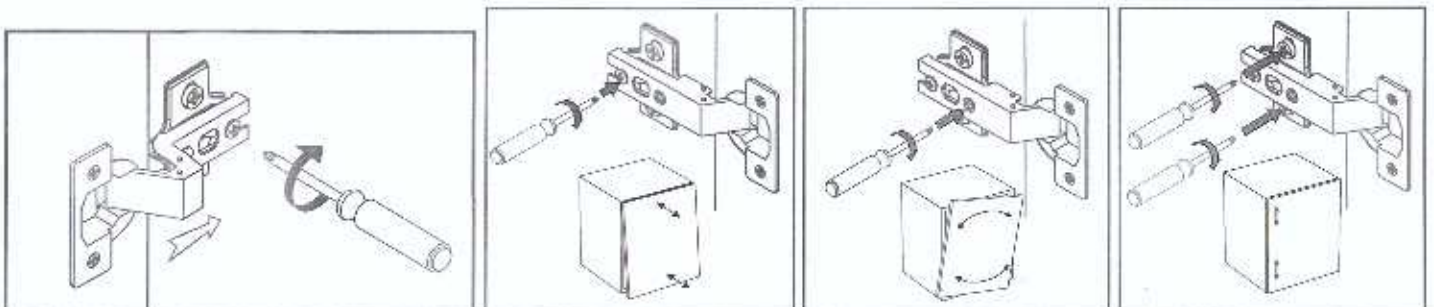
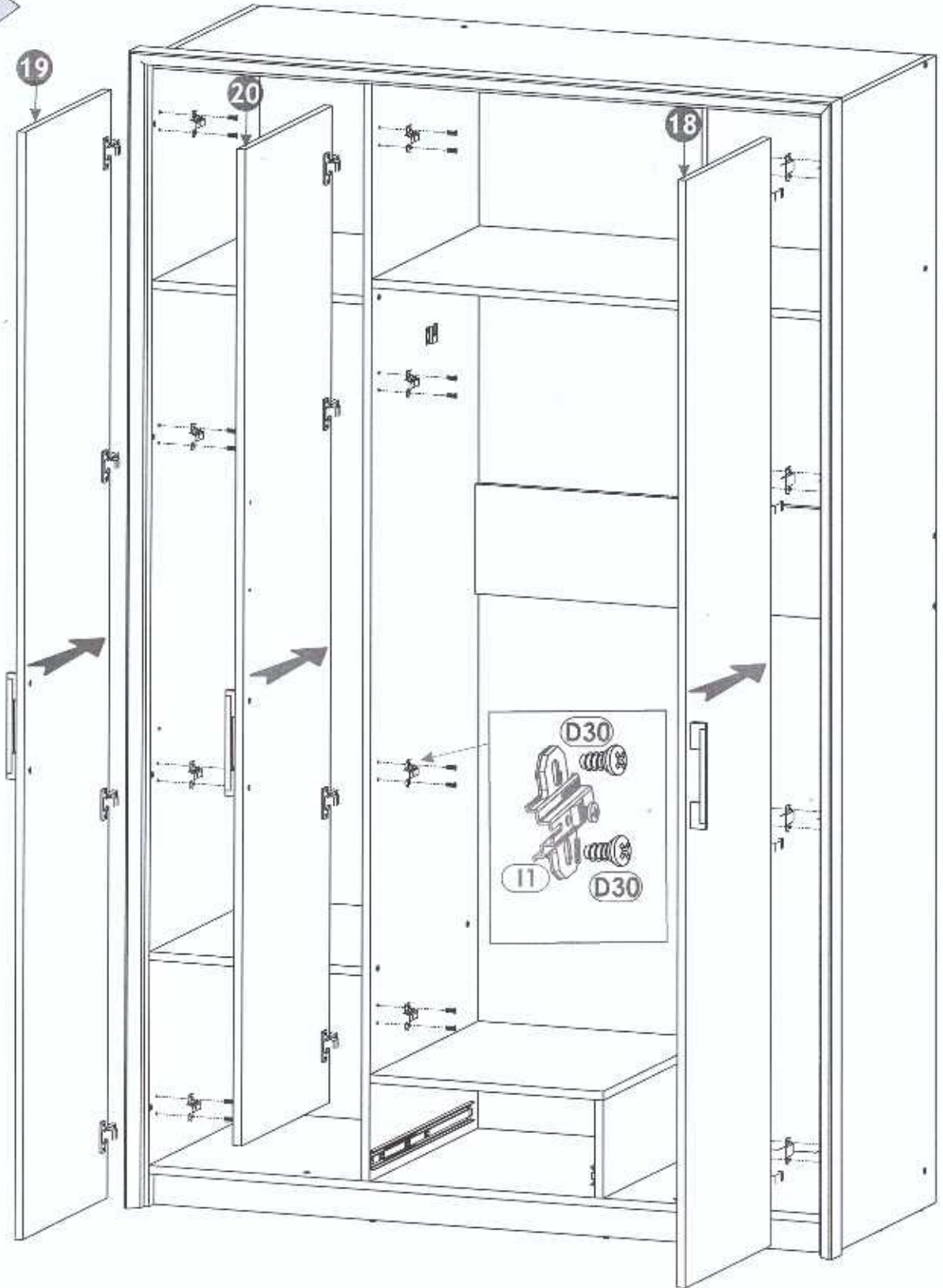
$a=b$



10 ▶

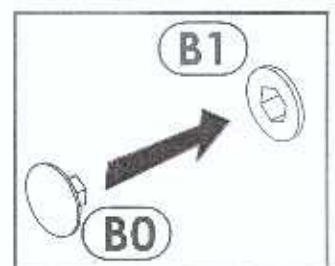
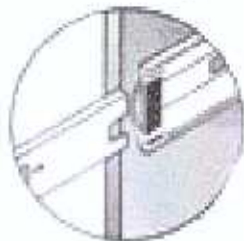
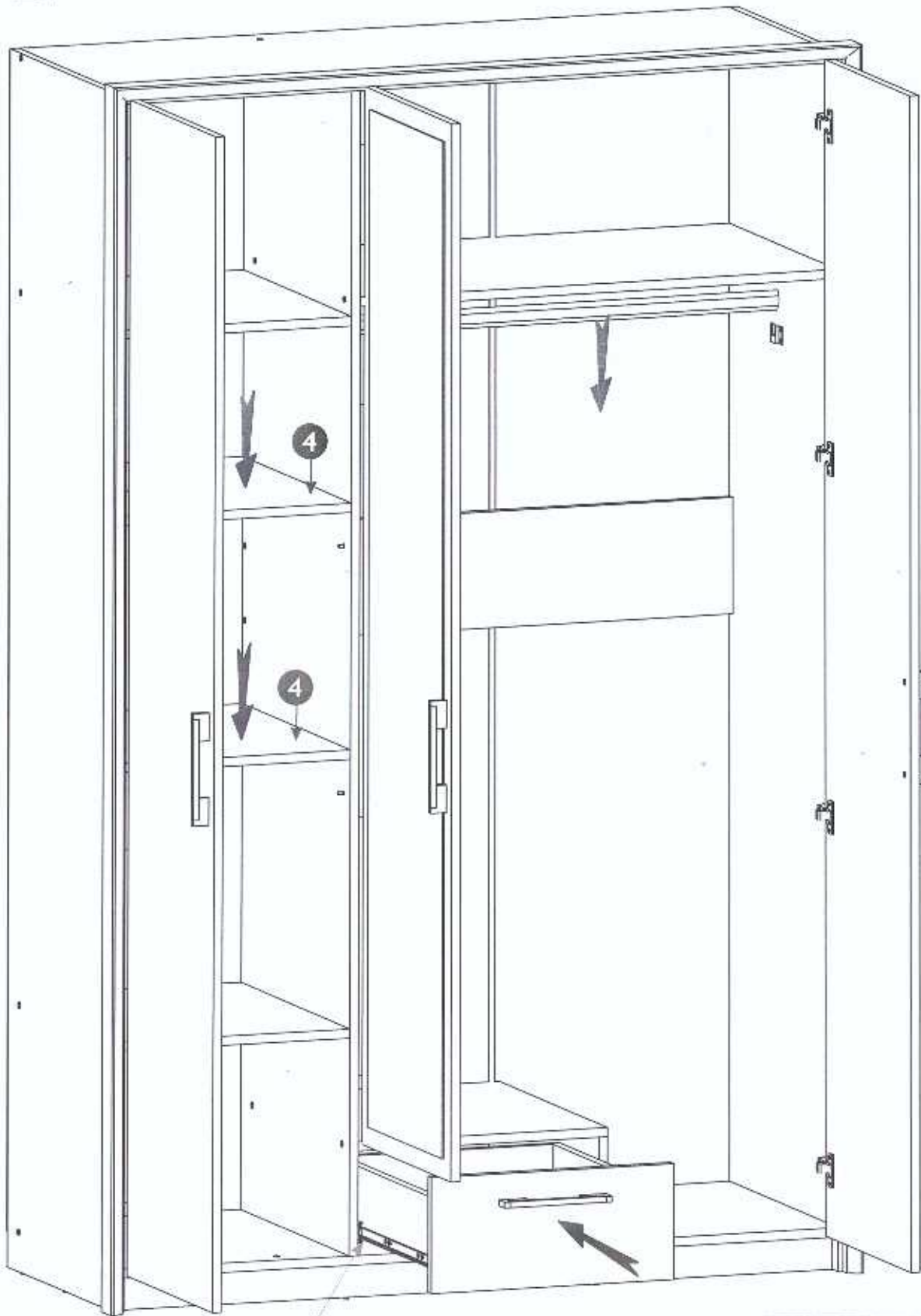


11 ▶



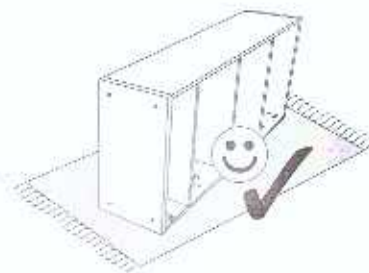
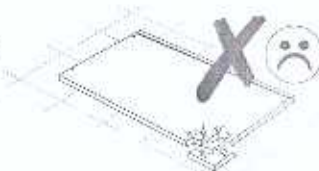
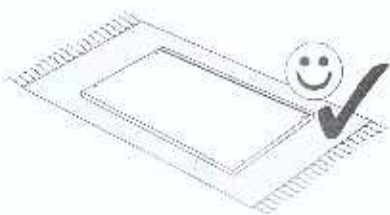
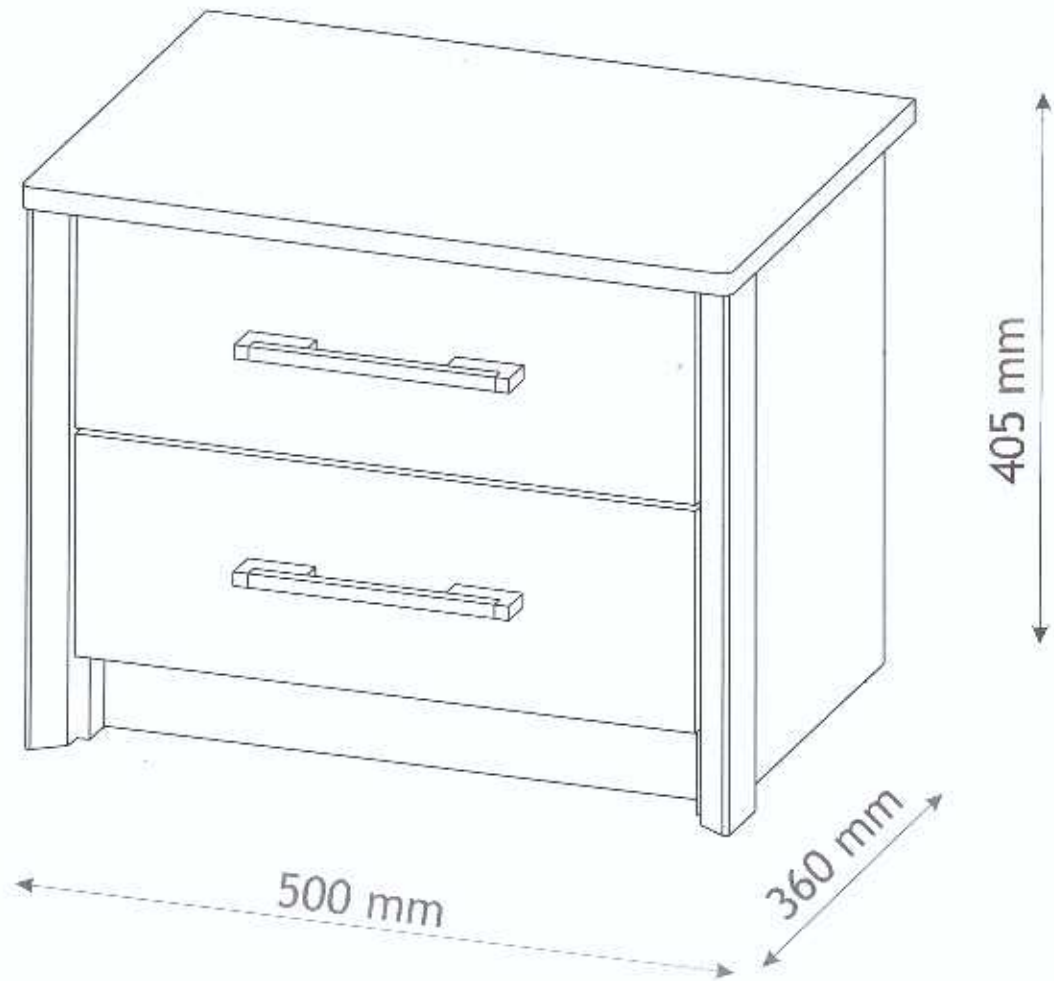
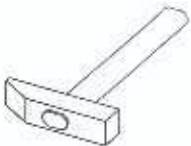
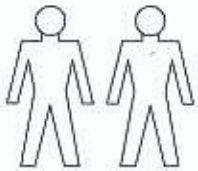


12 ▶



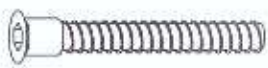

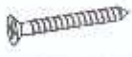






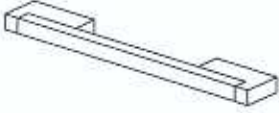


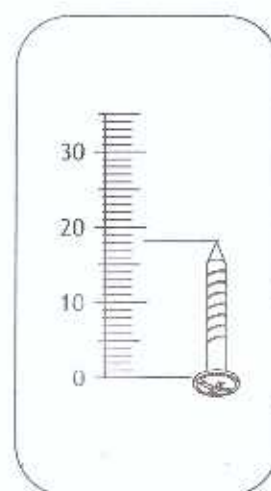
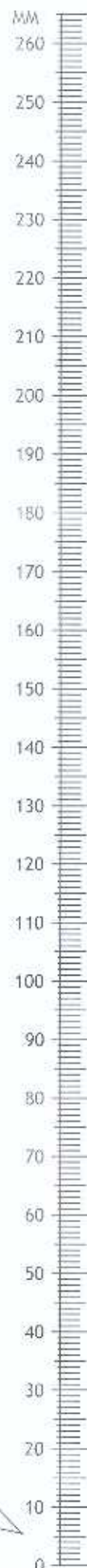


# SCARLET Bedside cabinet

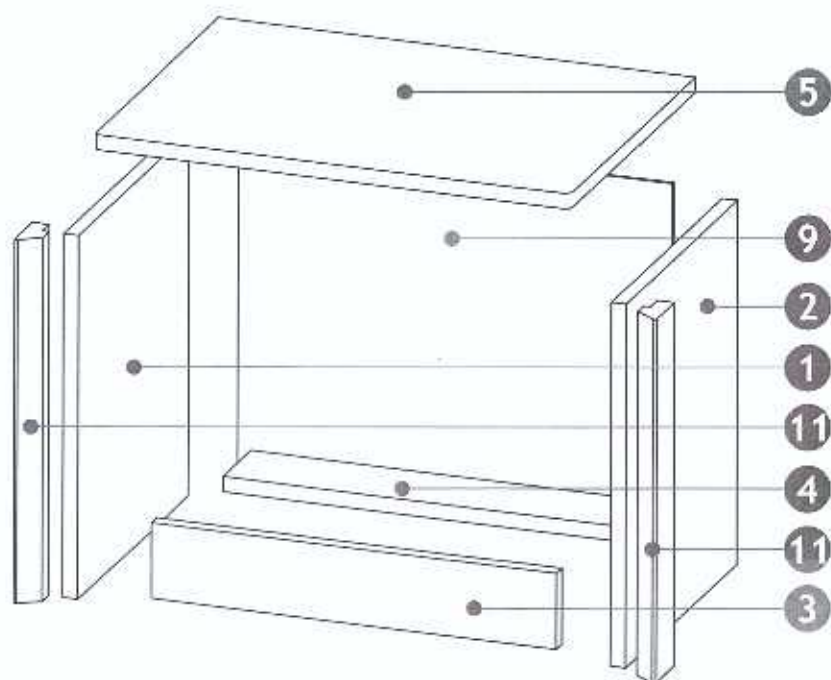
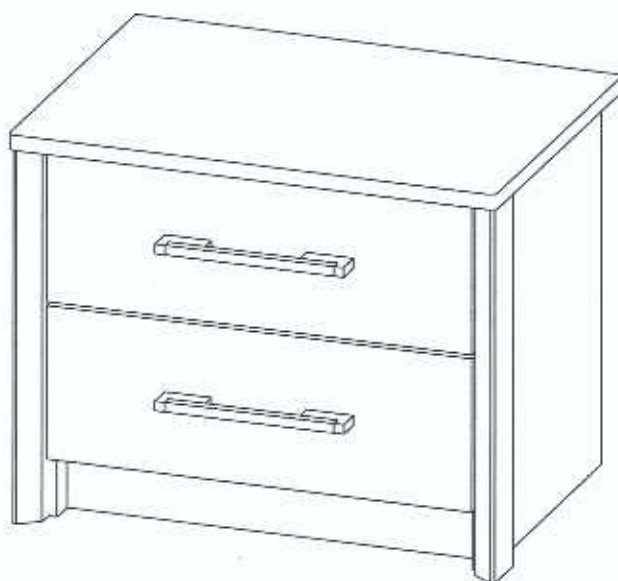
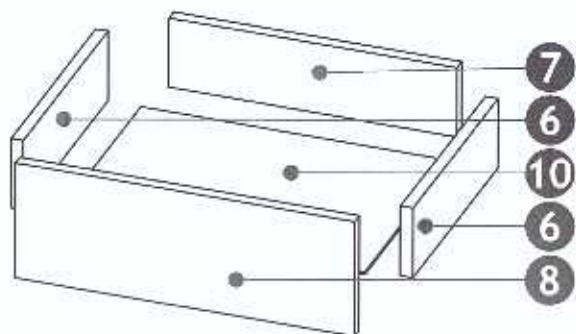


# SCARLET Bedside cabinet

<b>(A0)</b> 8 x 32mm <b>x16</b> 	<b>(B0)</b> <b>x4</b> 	<b>(B1)</b> 1.7 x 50 mm <b>x8</b> 
<b>(D0)</b> 3 x 15 mm <b>x8</b> 	<b>(D1)</b> 3 x 25 mm <b>x4</b> 	<b>(D16)</b> 4,2 x 28 mm <b>x4</b> 
<b>(D21)</b> 5 x 13 mm <b>x20</b> 	<b>(K)</b> <b>x1</b> 	<b>(N6)</b> <b>x2</b> 
<b>(T3)</b> <b>x4</b> 	<b>(T8)</b> <b>x40</b> 	<b>x2</b> 



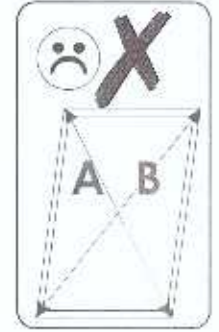
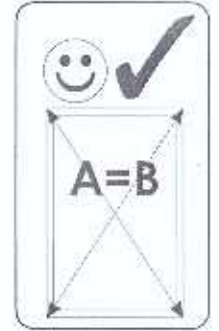
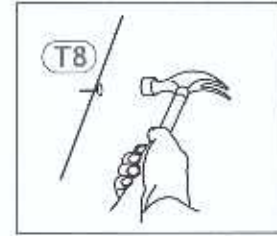
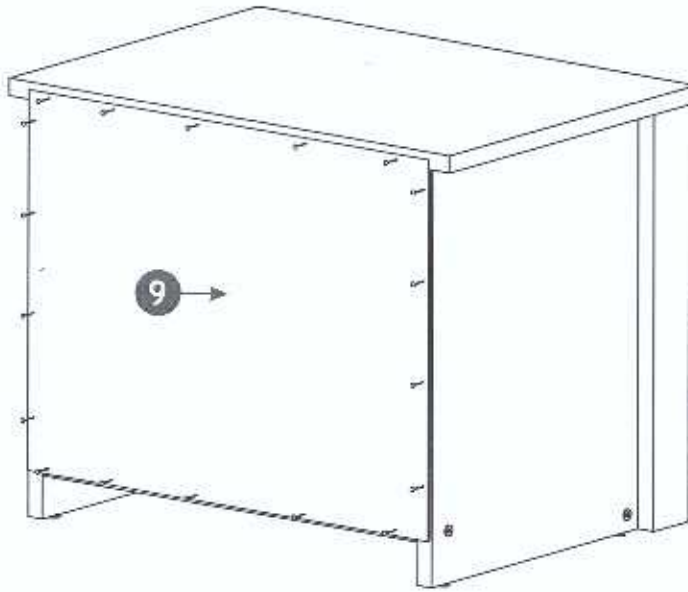
# SCARLET Bedside cabinet



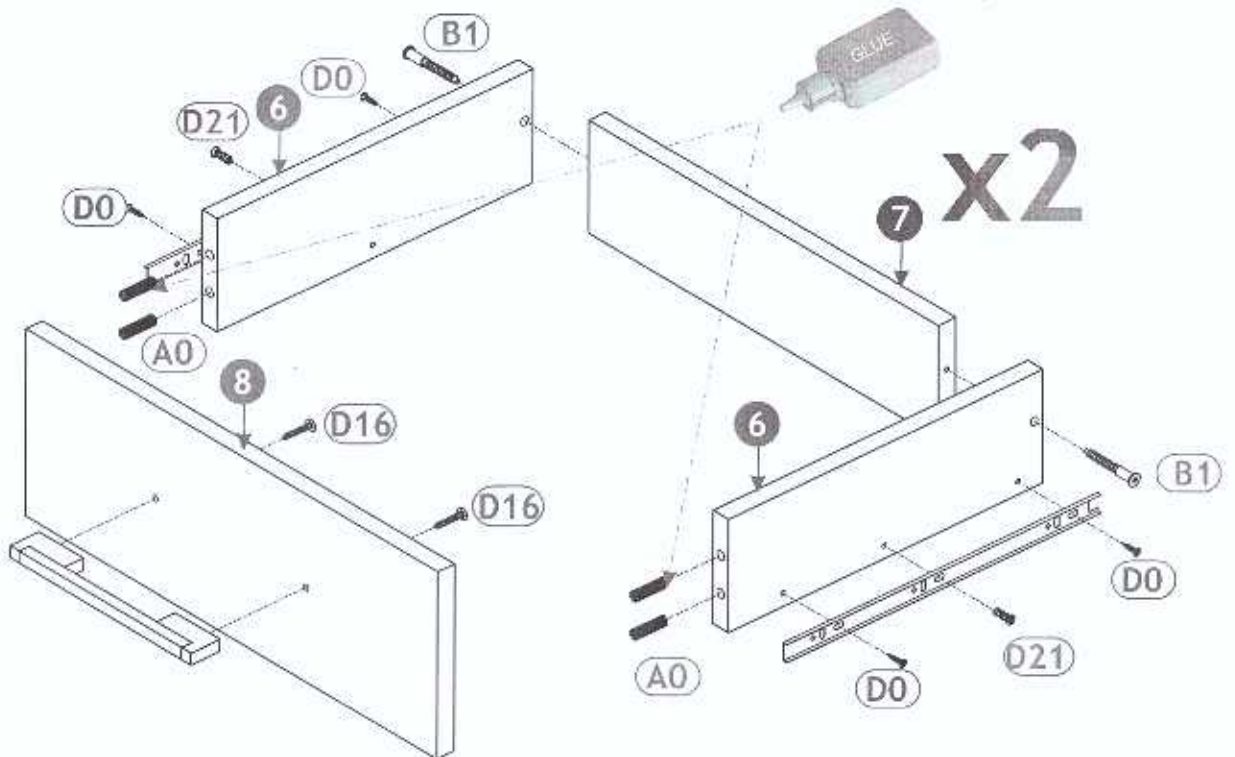
1	384	320	16	x1	1/1
2	384	320	16	x1	1/1
3	428	80	16	x1	1/1
4	428	80	16	x1	1/1
5	502	361	16	x1	1/1
6	300	95	16	x4	1/1
7	371	95	16	x2	1/1
8	438	157	16	x2	1/1
9	350	456	2,5	x1	1/1
10	305	401	2,5	x2	1/1
11	384	55	25	x2	1/1
					1/1



4 ▶

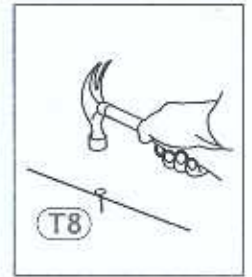
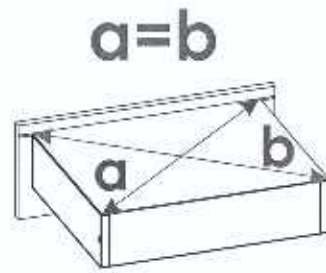
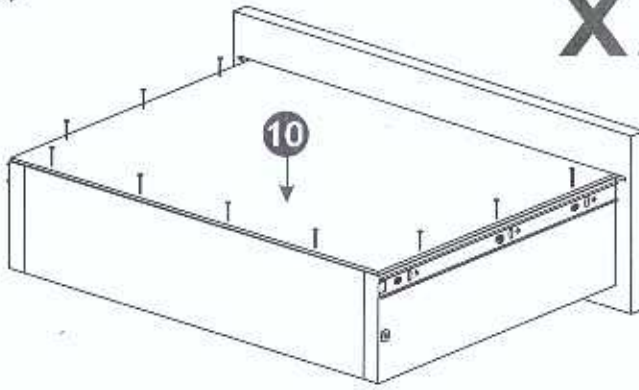


5 ▶

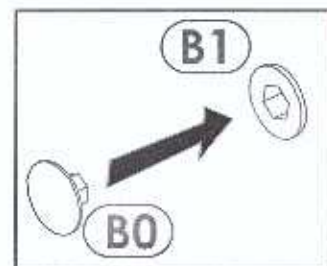
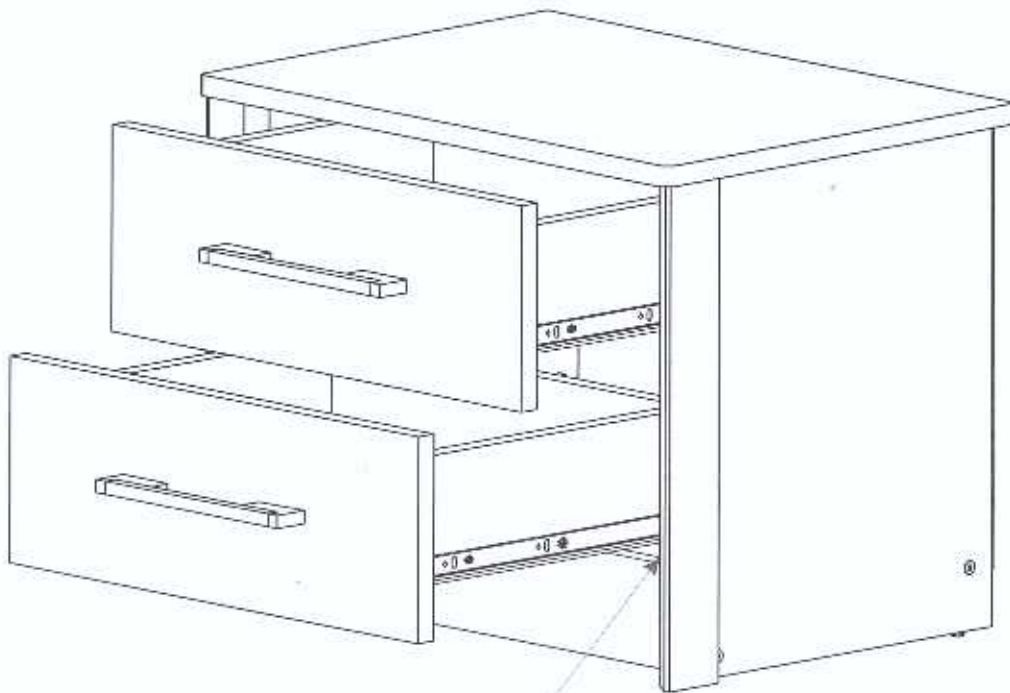


6 ▶

x2



7 ▶





8 ▶

