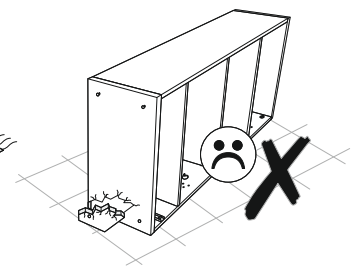
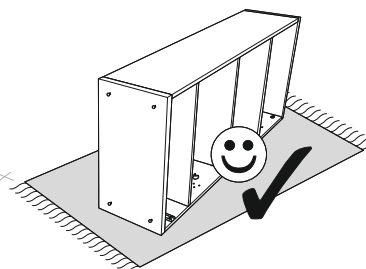
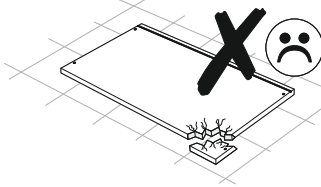
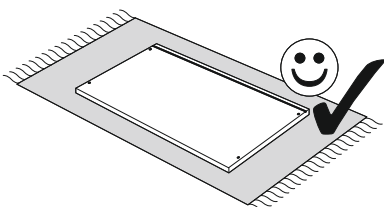
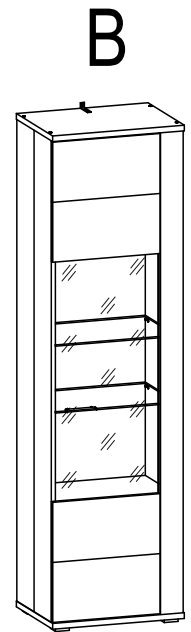
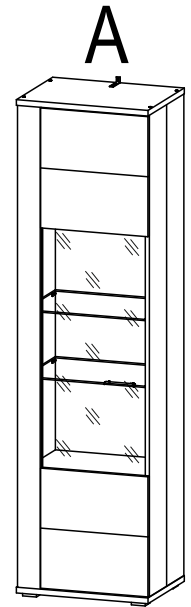
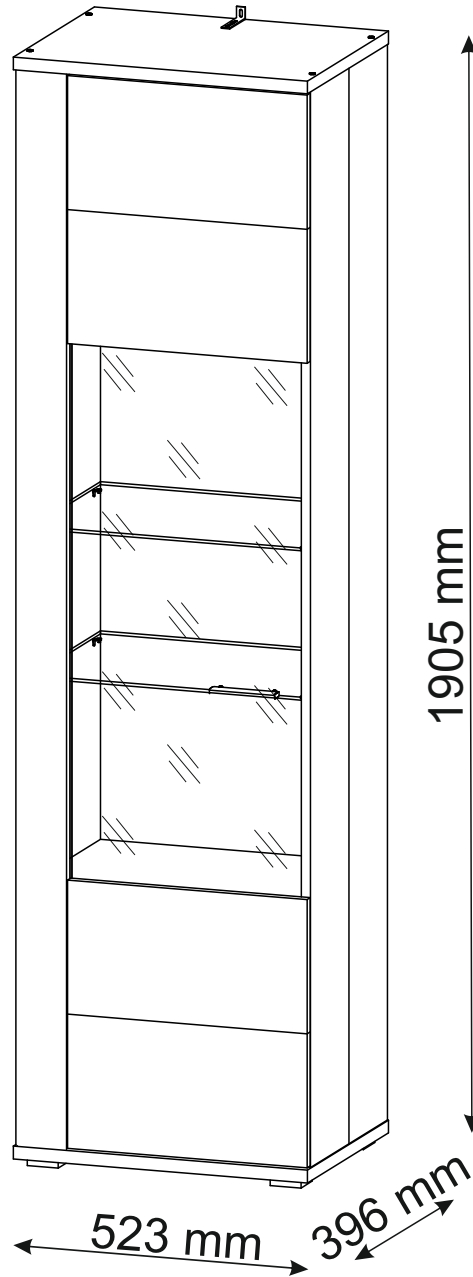
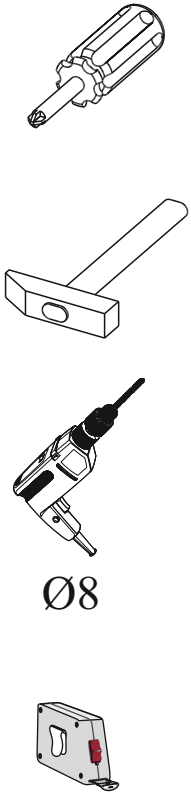
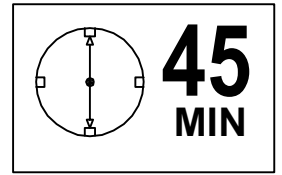
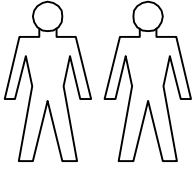
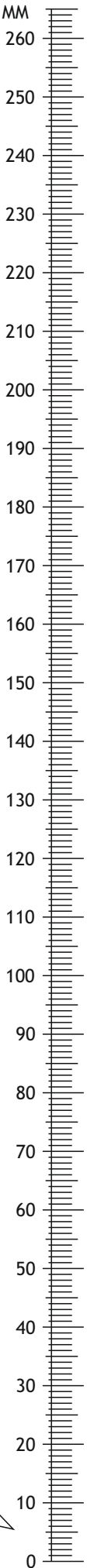

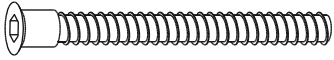






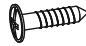
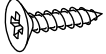
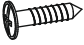

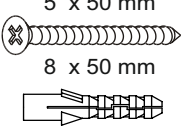
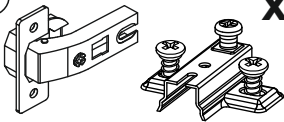
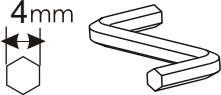


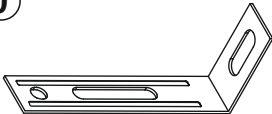
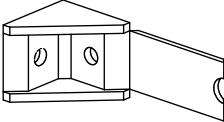


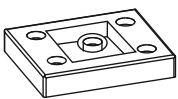



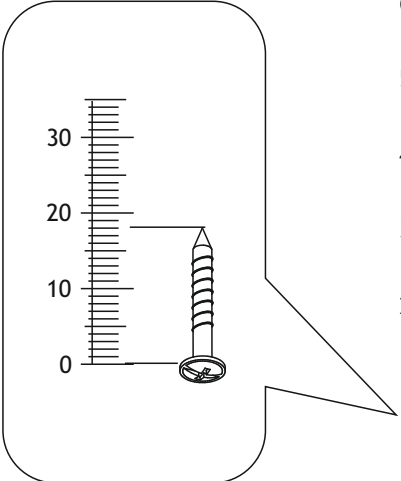


ADEL TALL CABINET 1D

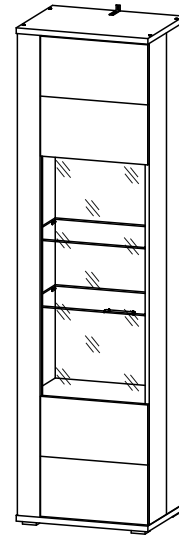
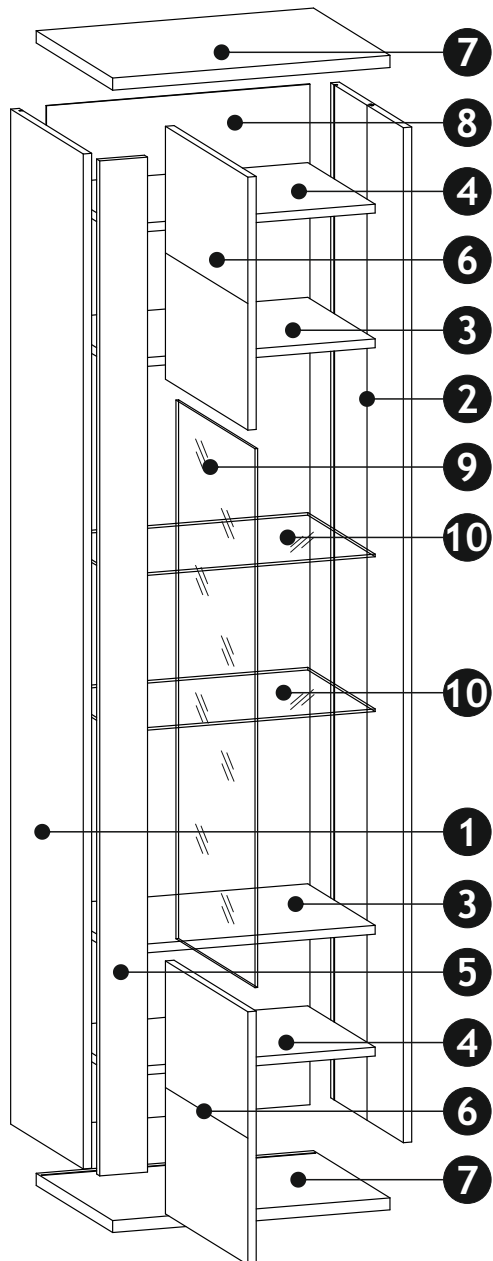



ADEL TALL CABINET 1D

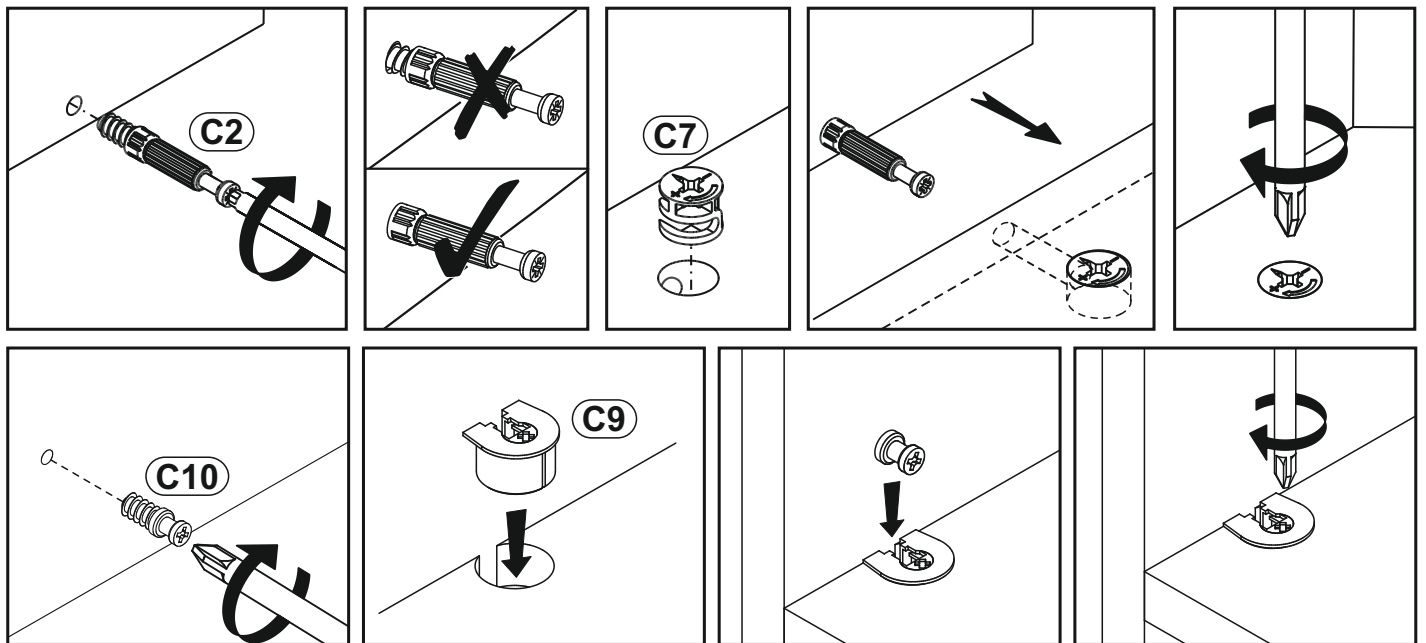


A0 8 x 30mm x8 	B2 f 7 x 70 mm x8 	C0 x4 
C2 x4 	C7 x4 16mm 	C9 x8 
C10 6,3 x 20 mm x8 	D0 3 x 15 mm x14 	D4 3,5 x 18 mm x6 
D10 4 x 16 mm x14 	D11 4 x 20 mm x2 	D12 4 x 25 mm x16 
E0 5 x 50 mm x1 8 x 50 mm 	J15 x4 	K 4mm x1 
L26 x1 	M1 x14 	P0 x1 
P20 x2 	Q0 x8 	Q1 x8 
T5 x4 	U0 x4 	U1 x8 
U6 x6 		




ADEL TALL CABINET 1D

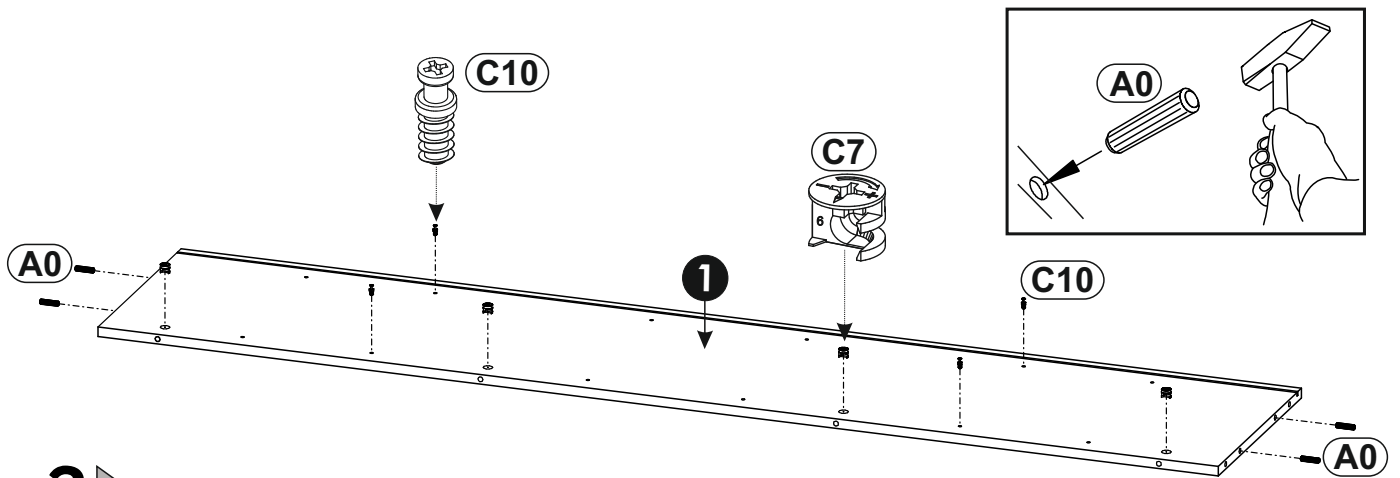


1	1846	376	16	x1	1/2
2	1846	376	16	x1	1/2
3	487	348	16	x2	2/2
4	487	355	16	x2	2/2
5	1846	90	16	x1	1/2
6	426	460	16	x2	1/2
7	523	396	22	x2	2/2
8	1856	497	3	x1	1/2
9	980	410	5	x1	1/2
10	486	340	5	x2	2/2
					2/2





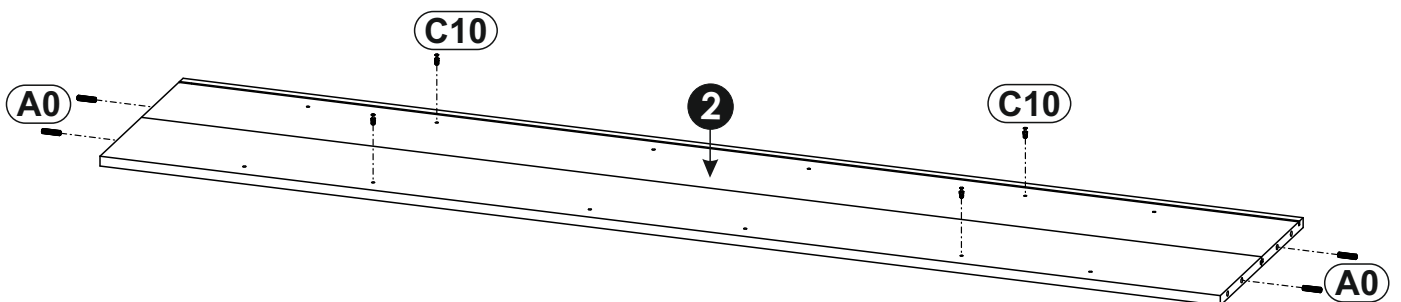
1 ▶

(A0) 8 x 30mm 	x4	(C7) 16mm 	x4	(C10) 6,3 x 20 mm 	x4
--	-----------	--	-----------	--	-----------


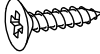
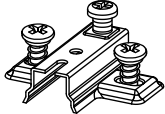
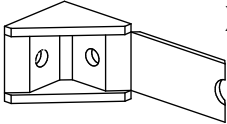


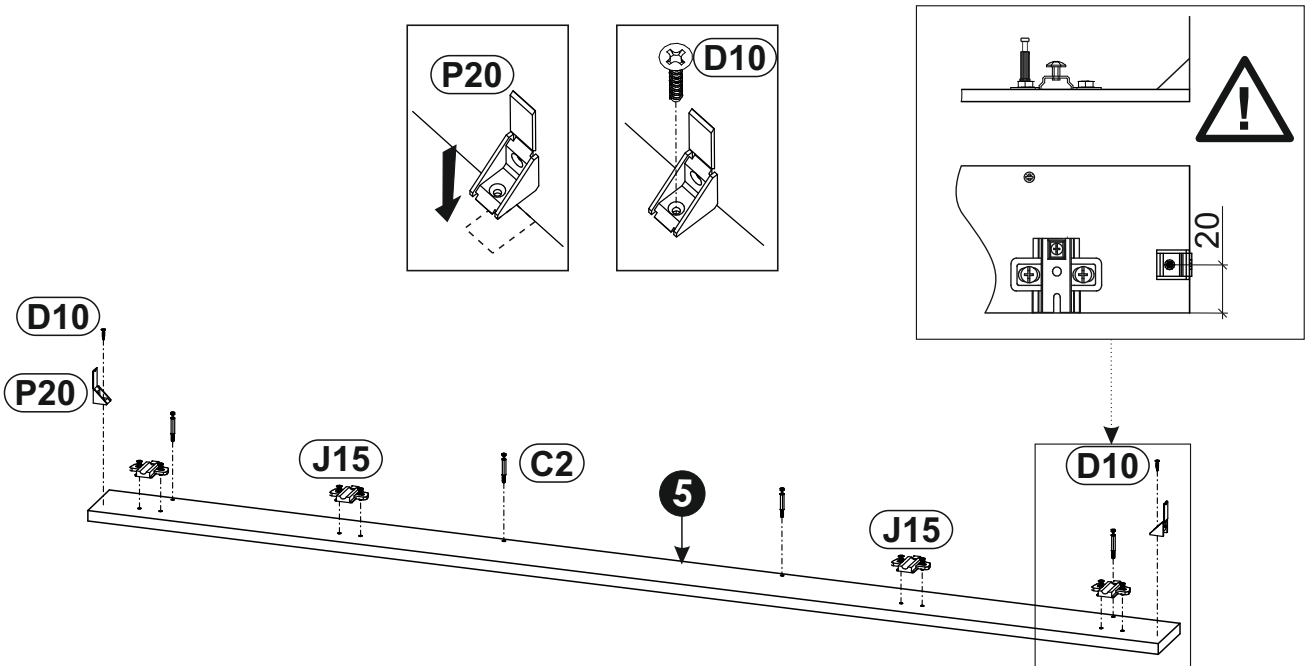
2 ▶

(A0) 8 x 30mm 	x4	(C10) 6,3 x 20 mm 	x4
--	-----------	--	-----------




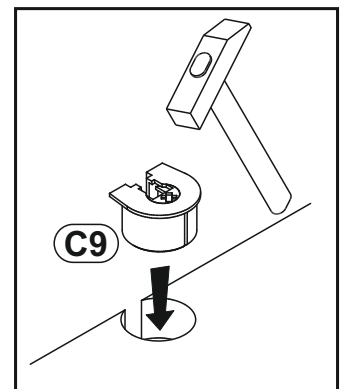
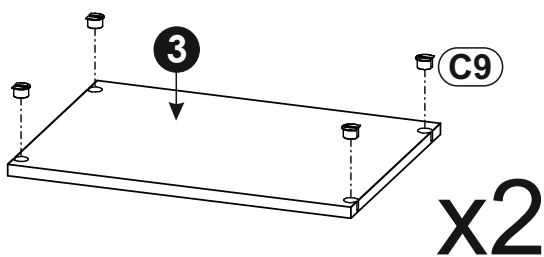
3 ▶

<p>C2 x4</p> 	<p>D10 4 x 16 mm x2</p> 	<p>J15 x4</p> 
<p>P20 x2</p> 		

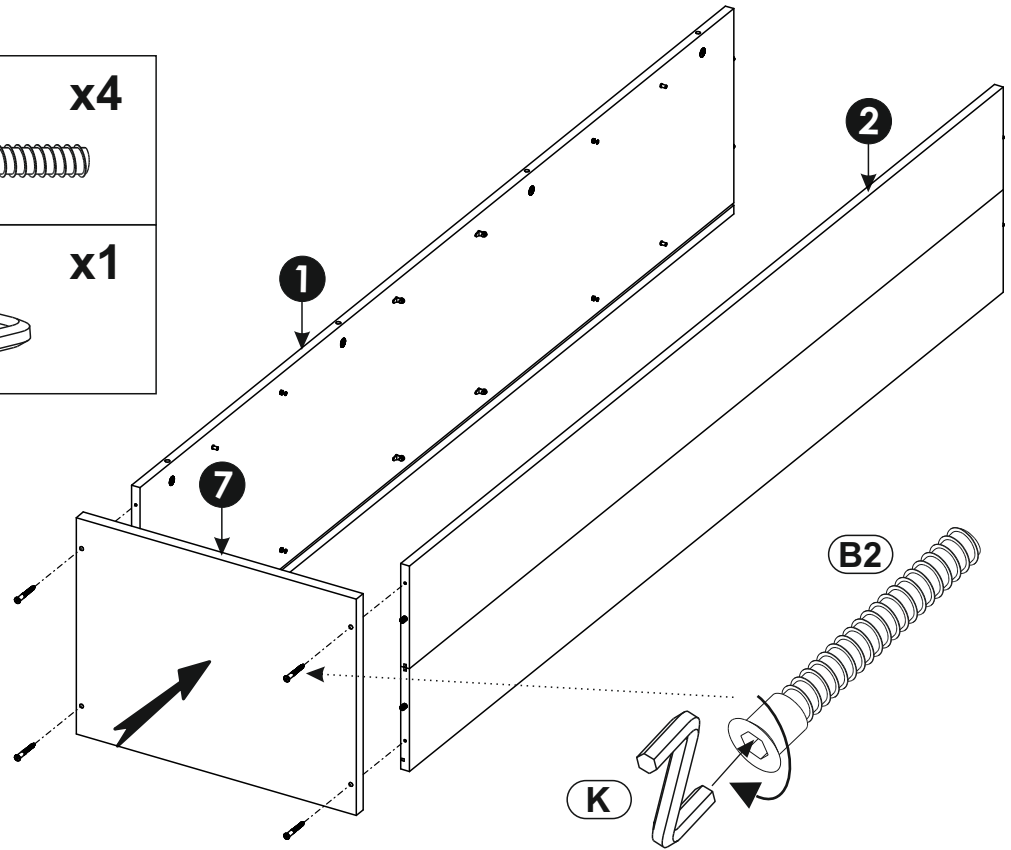
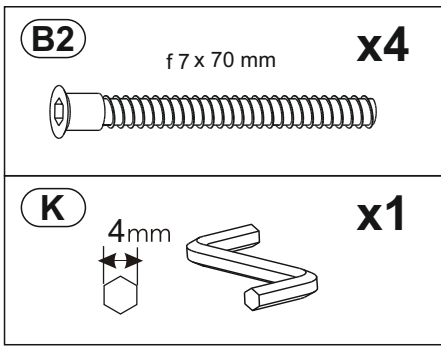


4 ▶

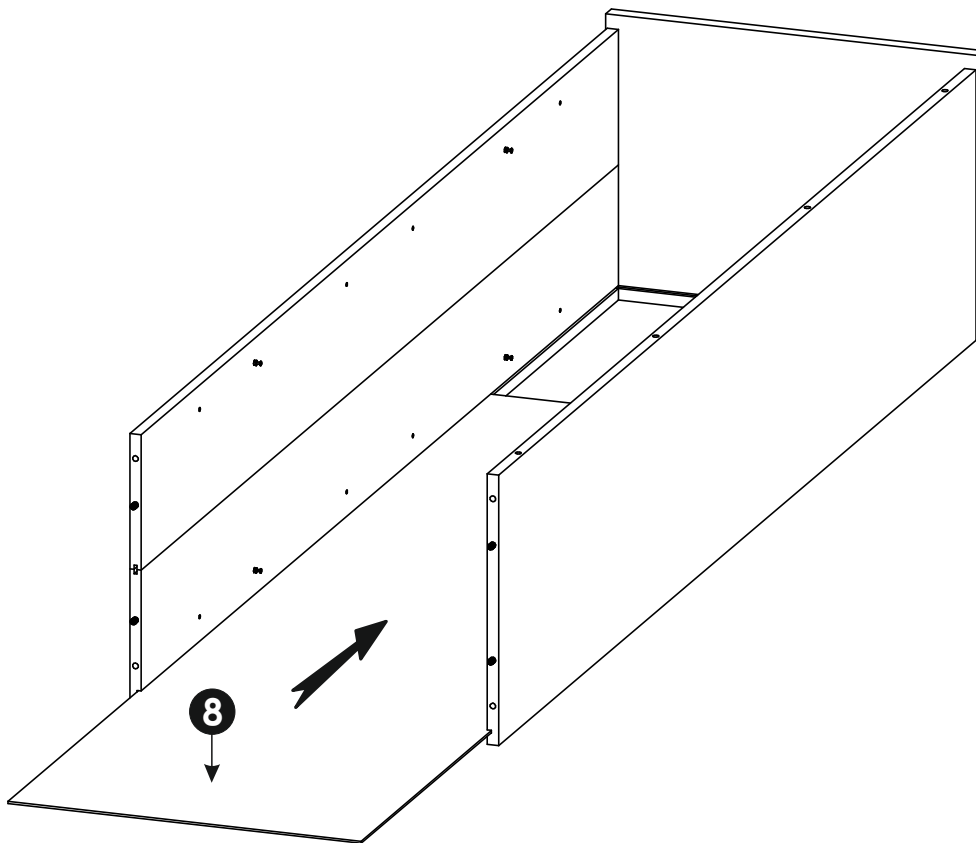
<p>C9 x8</p> 
--



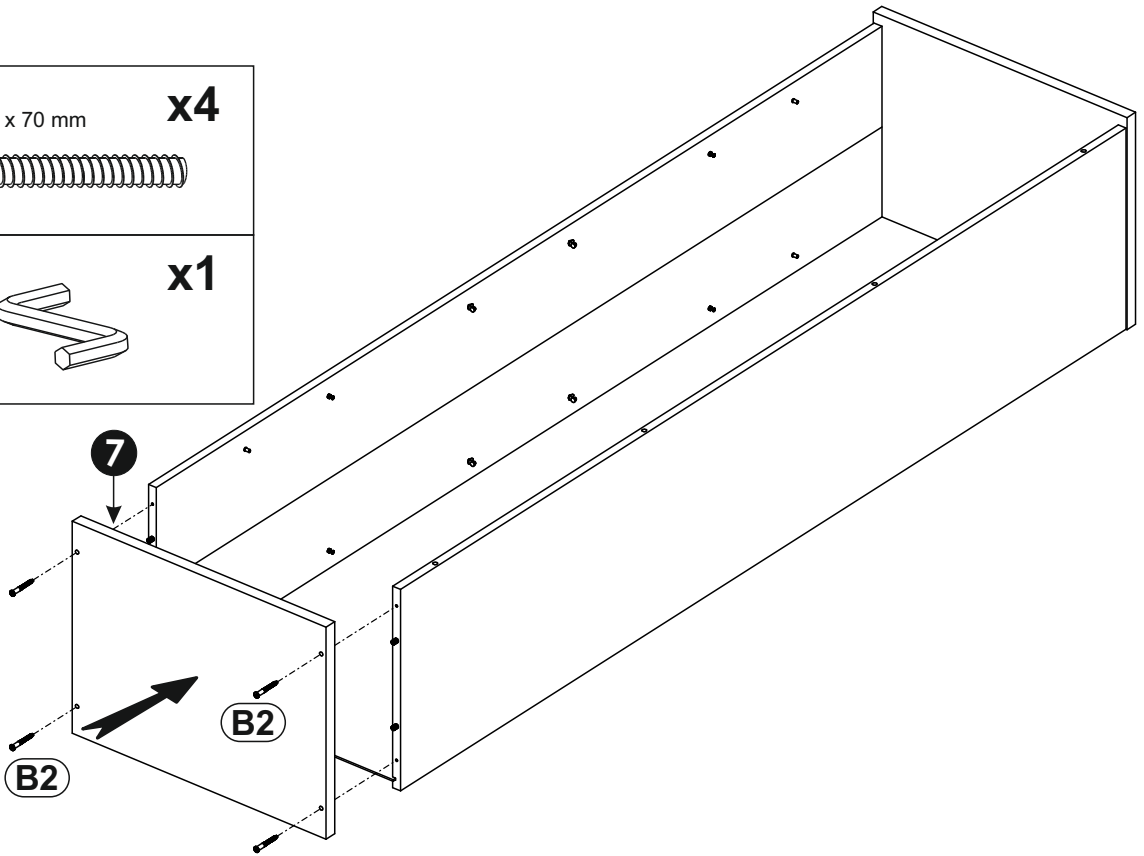
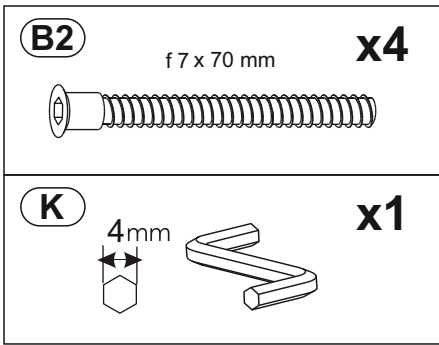
5 ▶



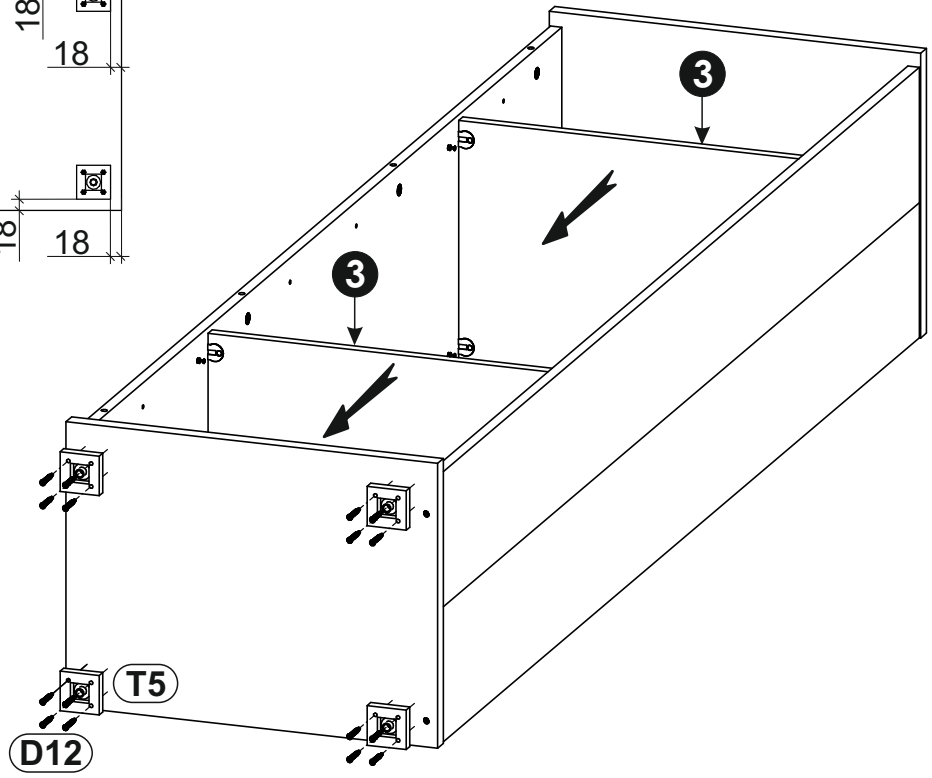
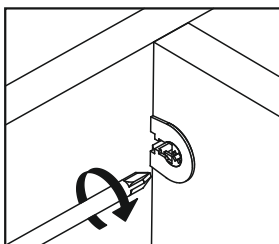
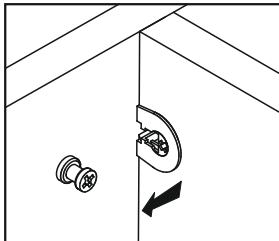
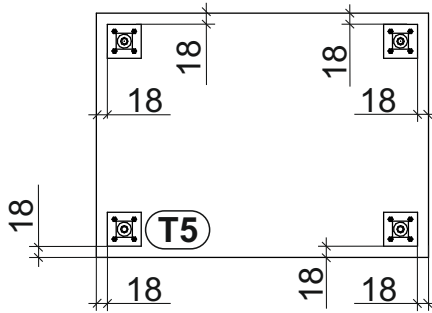
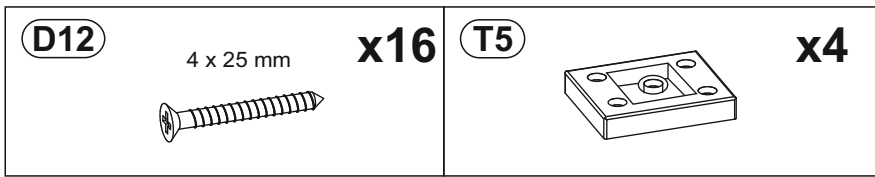
6 ▶



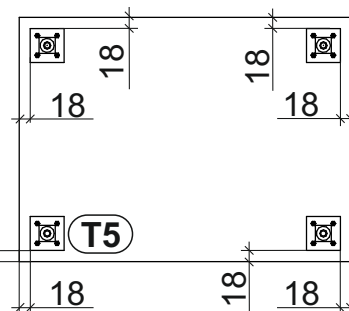
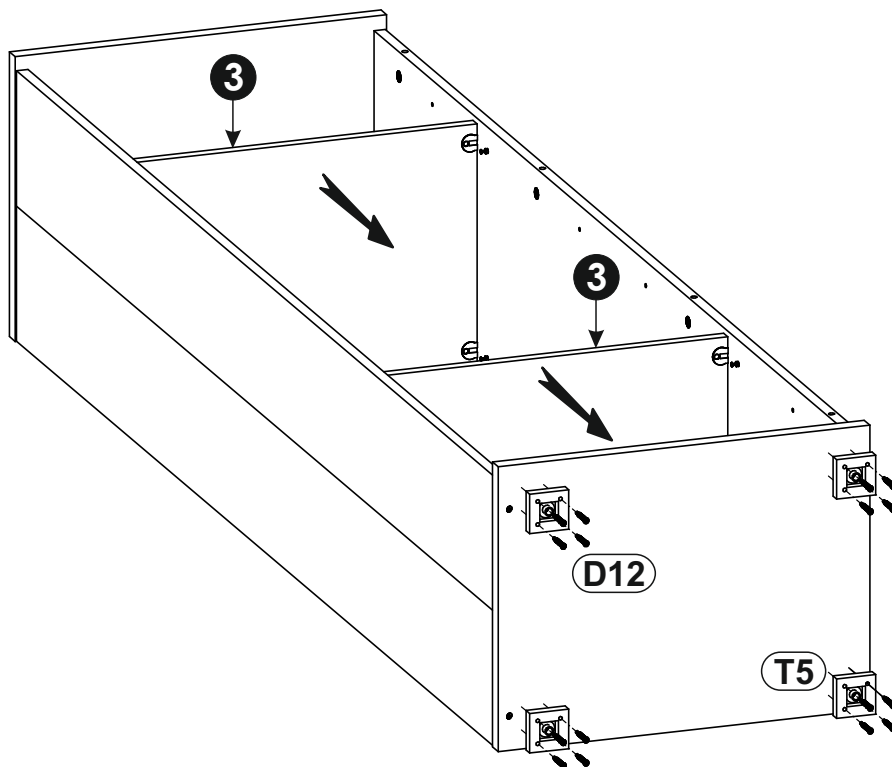
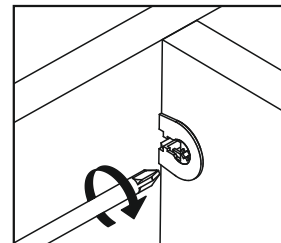
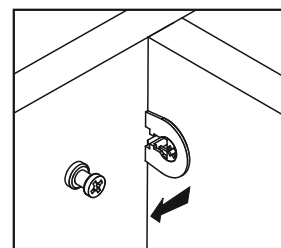
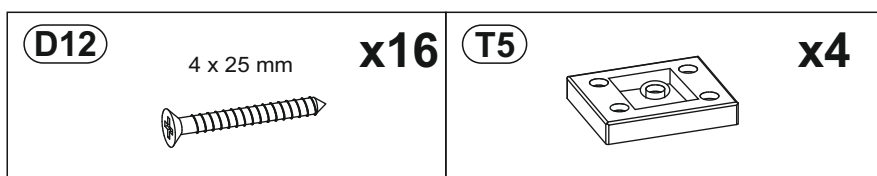
7



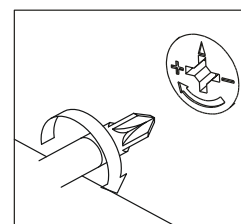
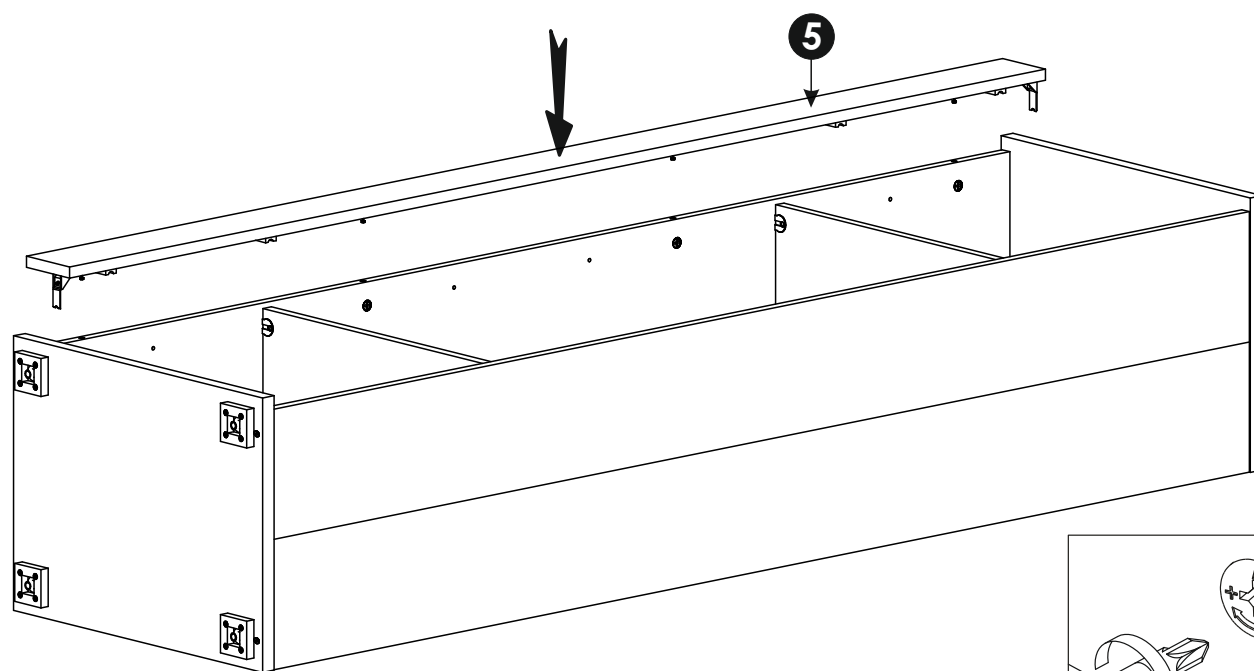
8 A



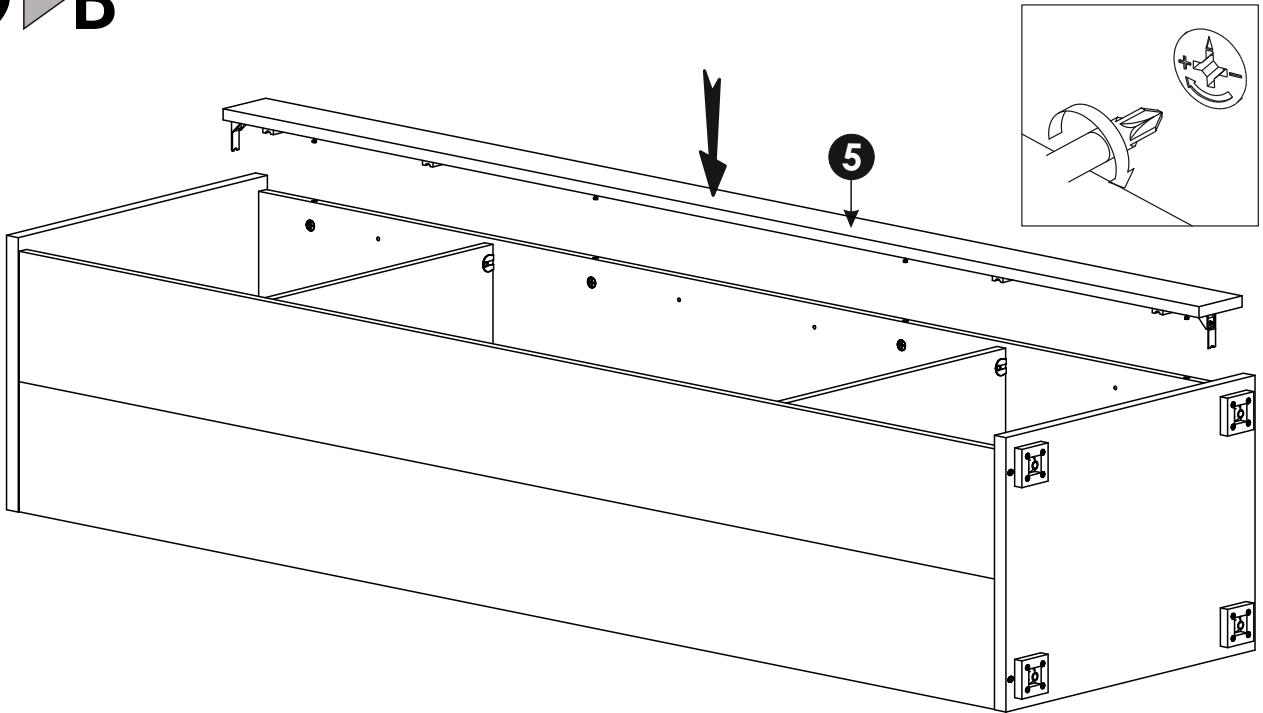
8 ▶ B



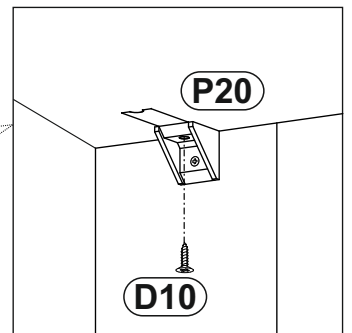
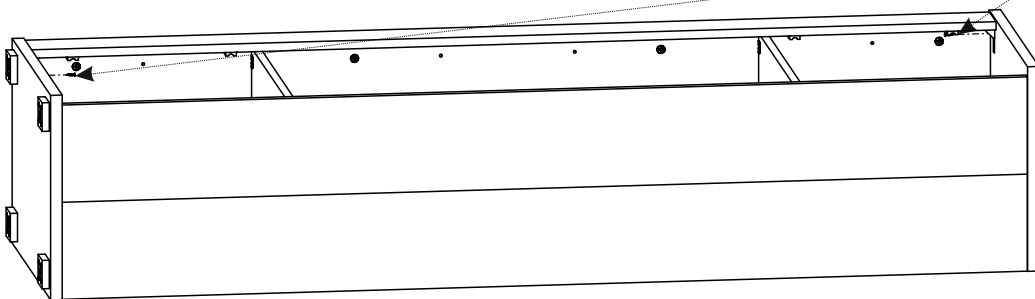
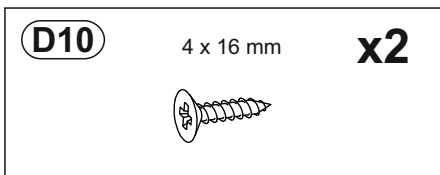
9 ▶ A



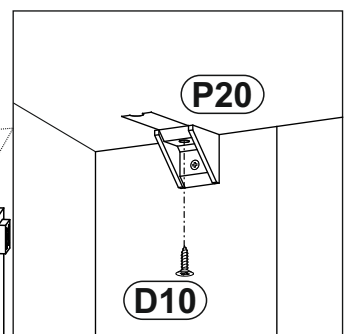
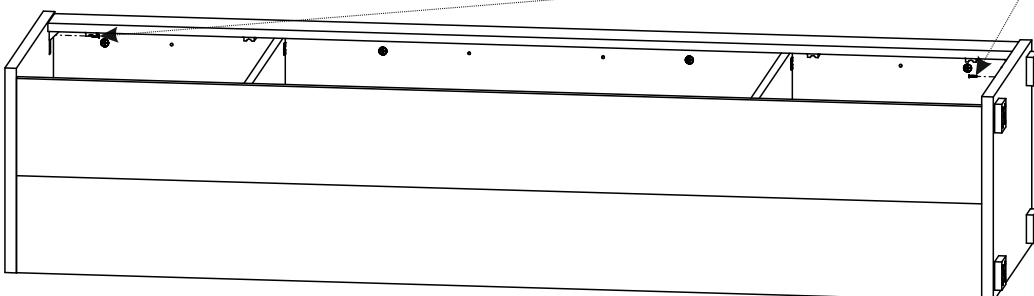
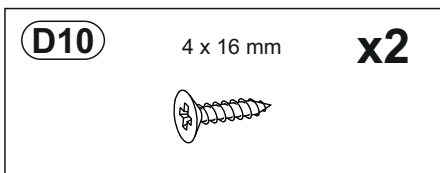
9 ▶ B




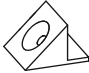
10 ▶ A

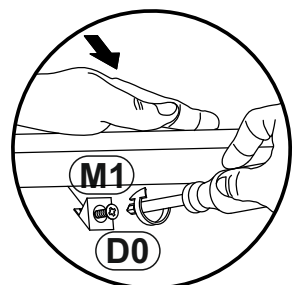
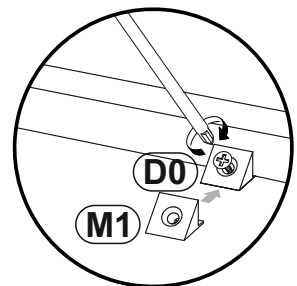
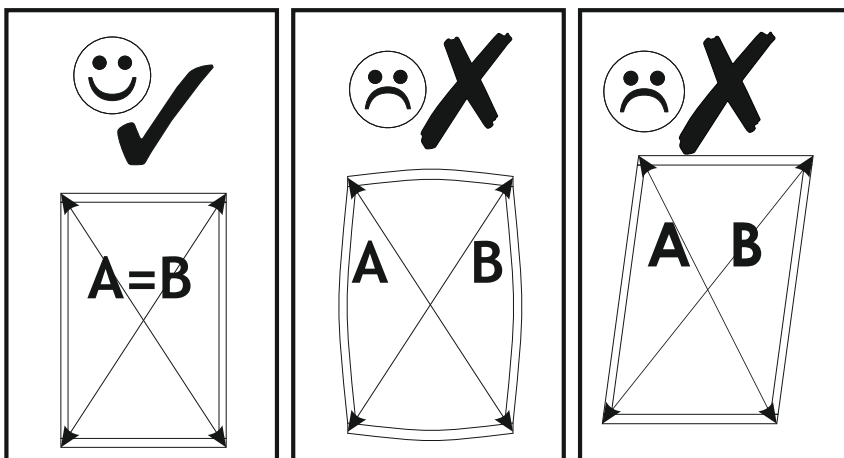
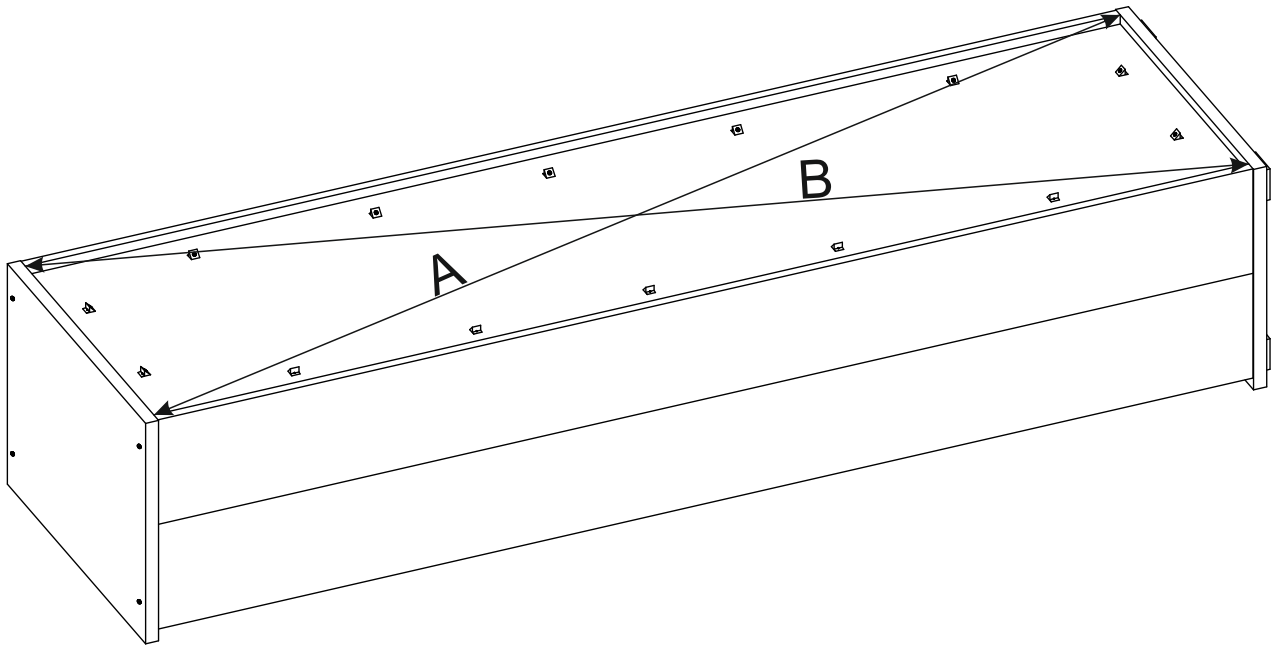


10 ▶ B

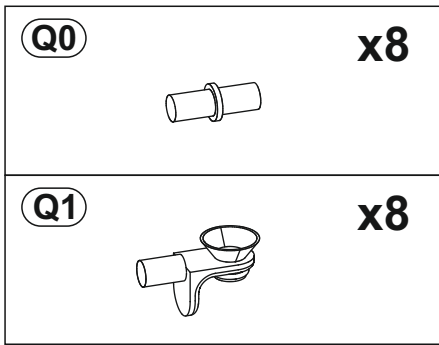


11 ▶

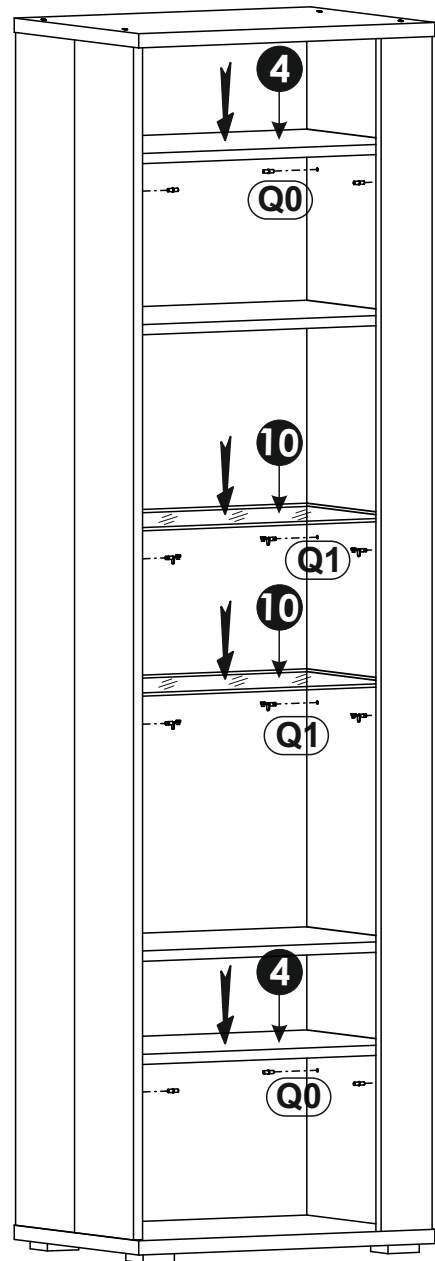
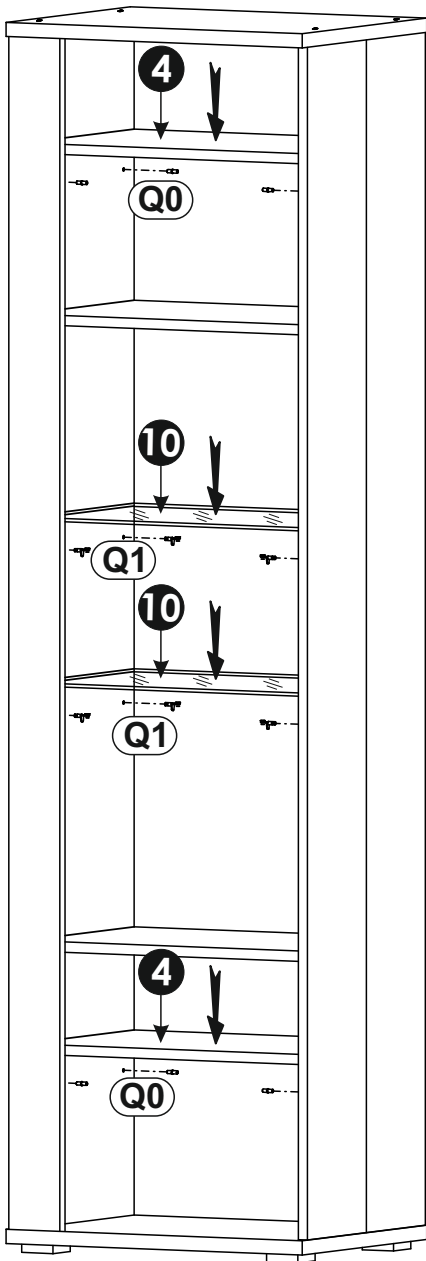
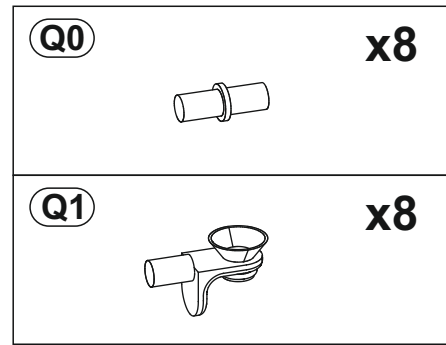
(D0) 3 x 15 mm 	x14	(M1) 	x14
---	------------	--	------------





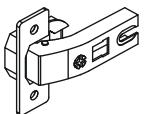


12 ▶ A

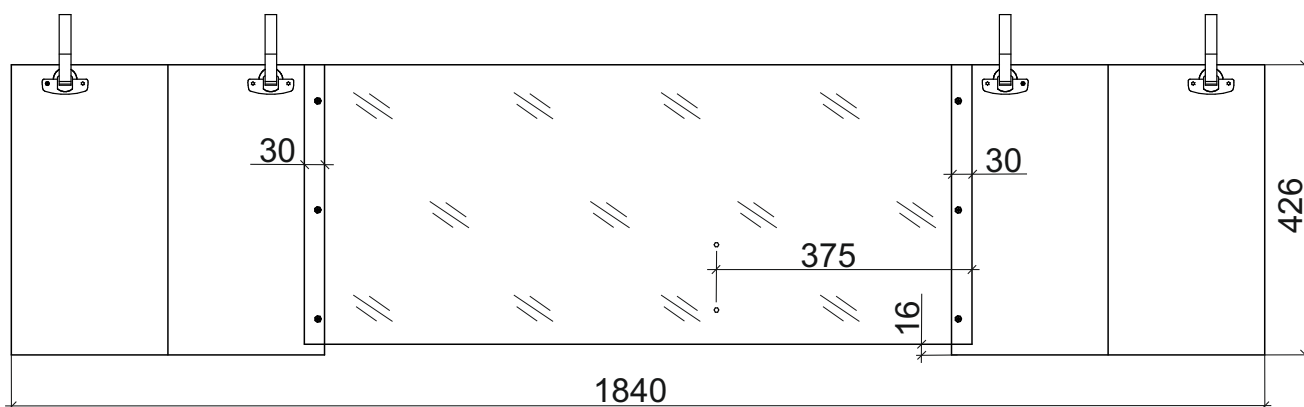
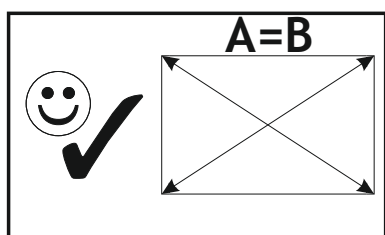
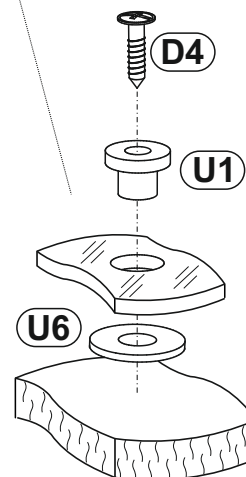
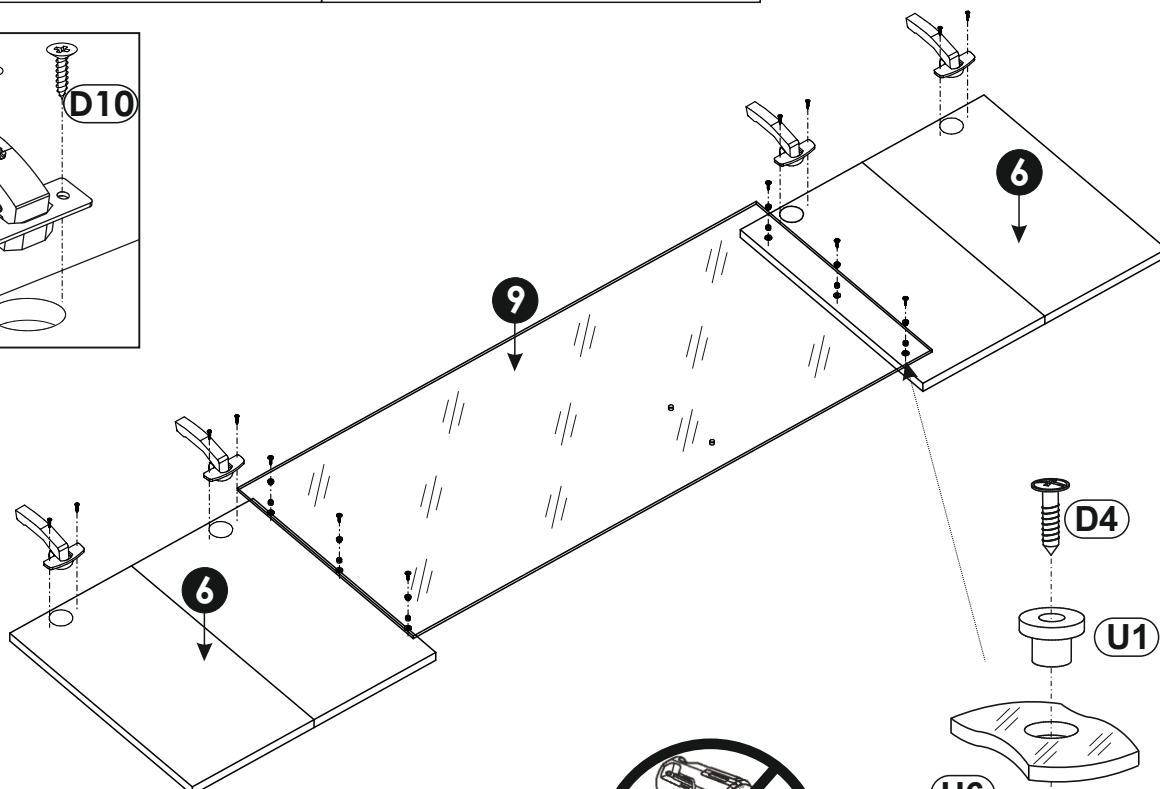
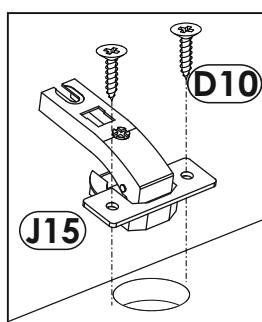


12 ▶ B

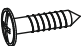

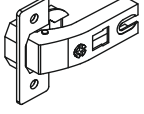




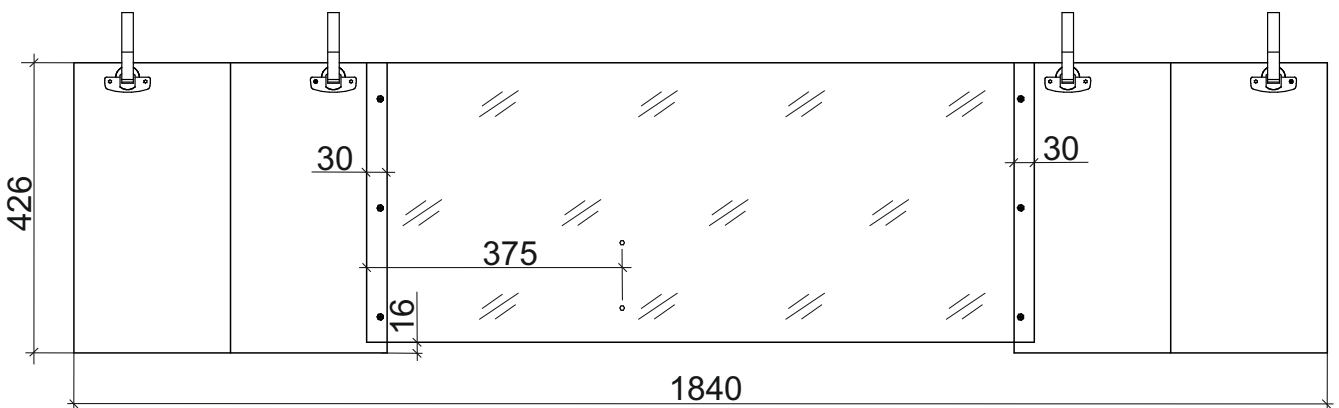
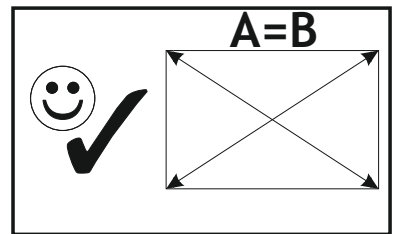
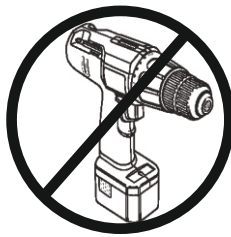
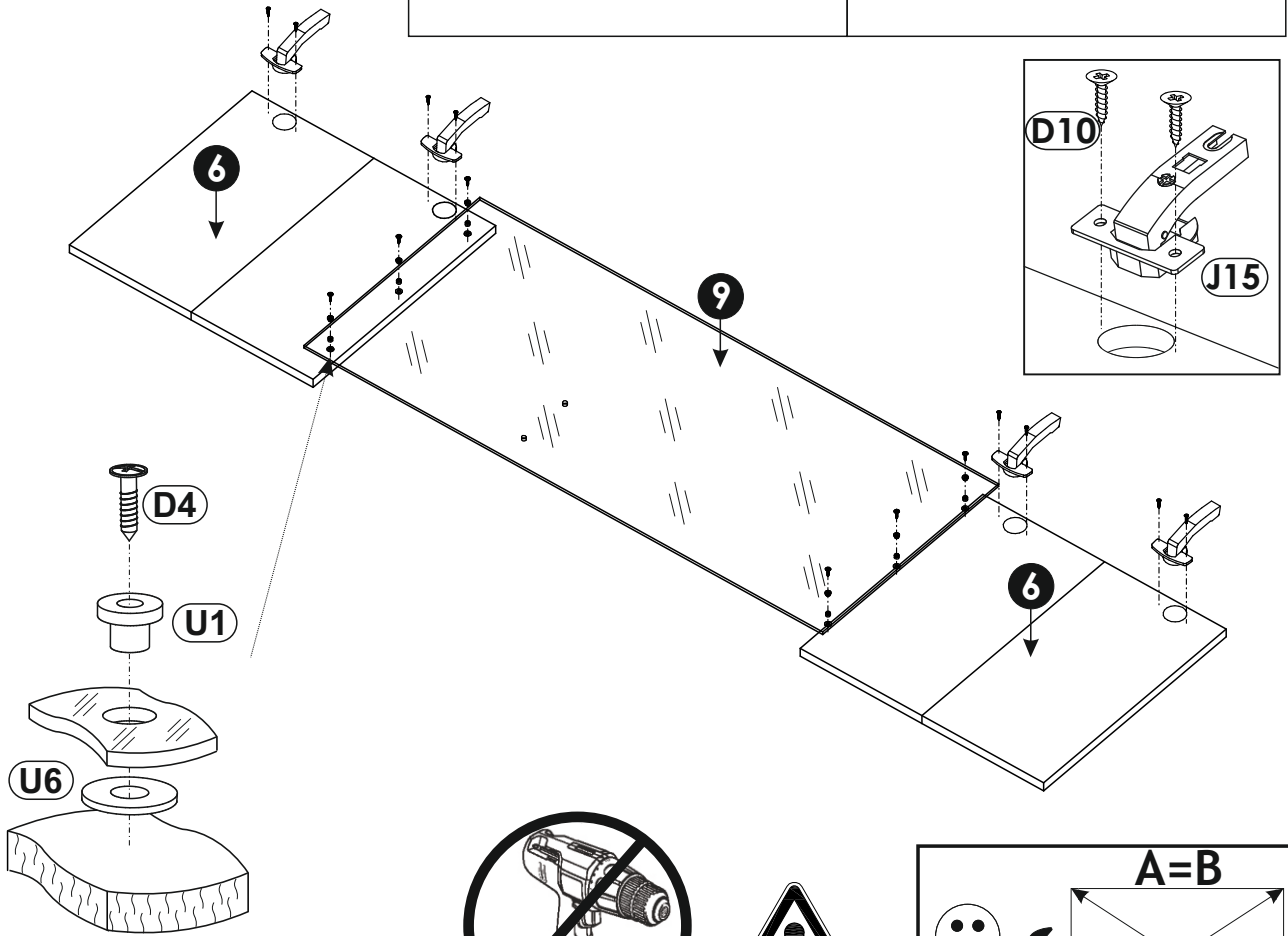
13 ▶ A

D4 3,5 x 18 mm 	x6	D10 4 x 16 mm 	x8	J15 	x4
U1 	x6	U6 	x6		






13 ▶ B



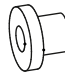
D4 3,5 x 18 mm 	x6	D10 4 x 16 mm 	x8	J15 	x4
U1 	x6	U6 	x6		

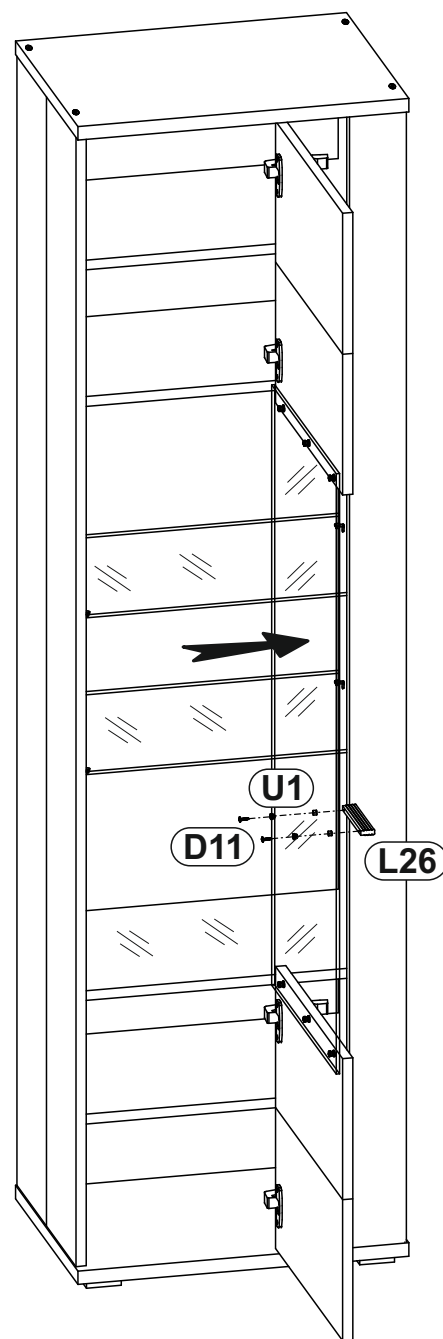
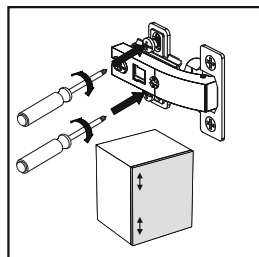
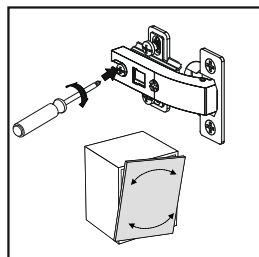
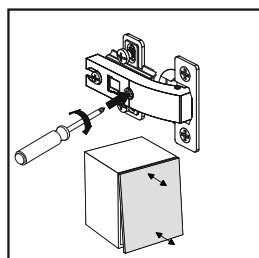
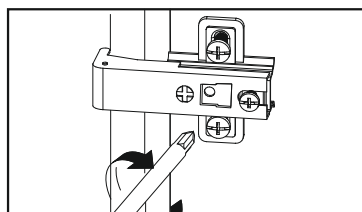
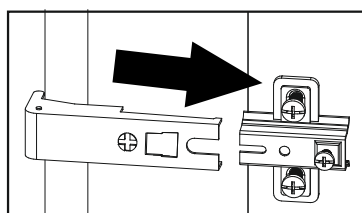
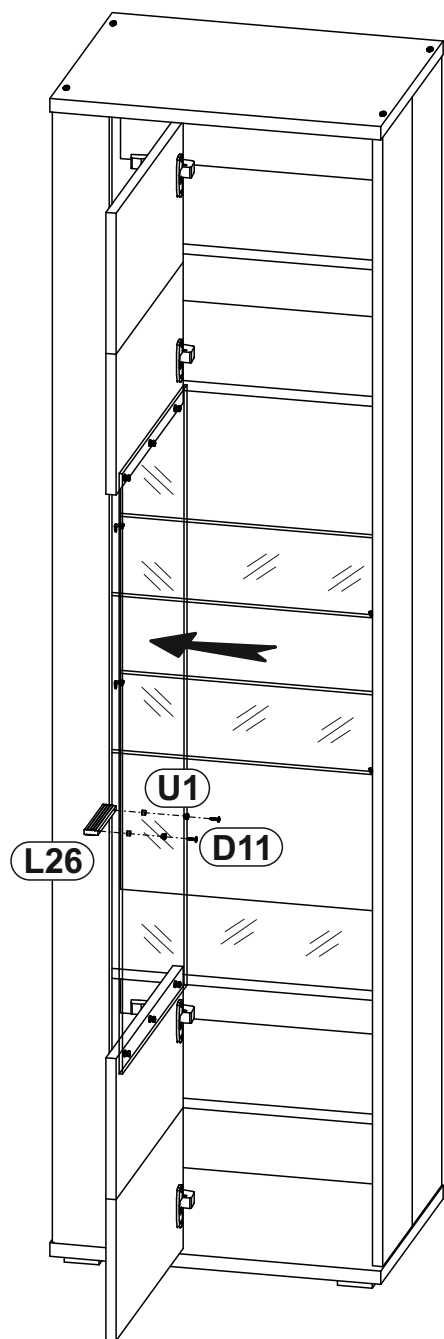


14▶A

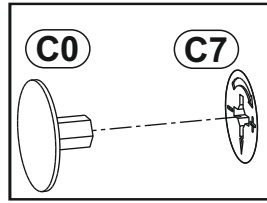
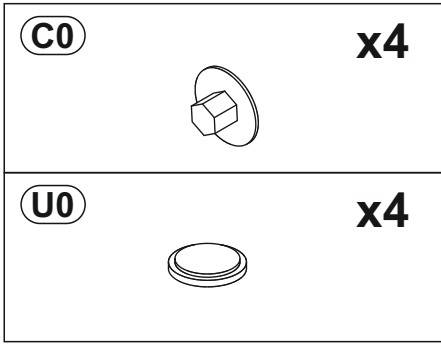
14▶B

D11	4 x 20 mm	x2
		
L26		x1
		
U1		x2
		

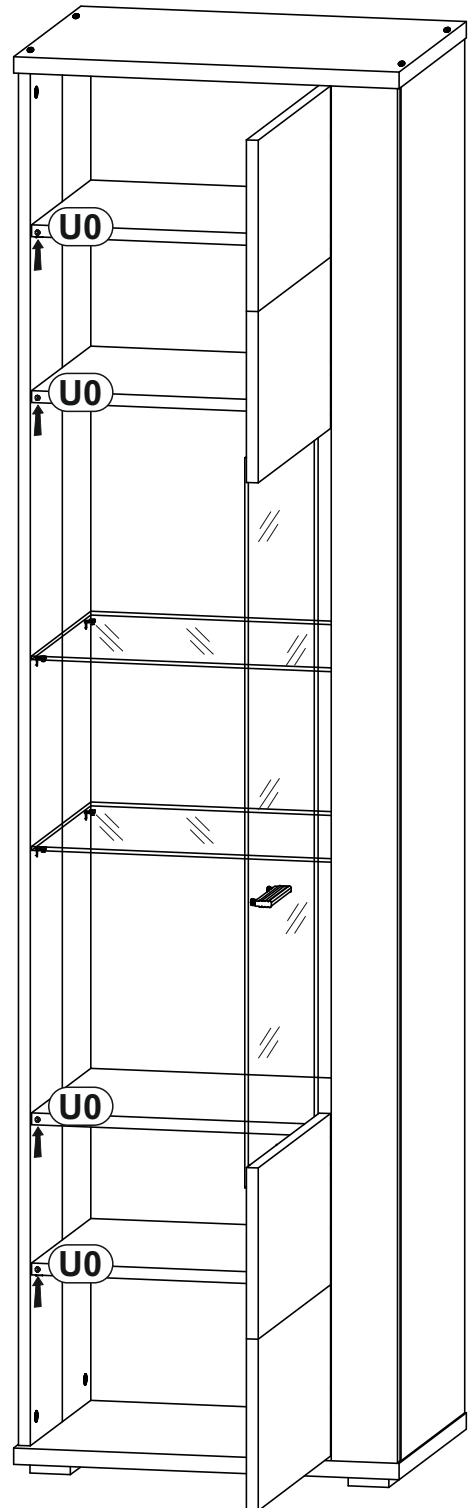
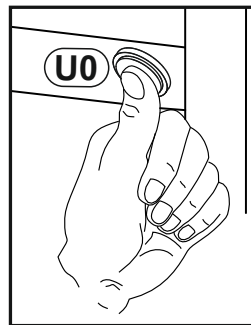
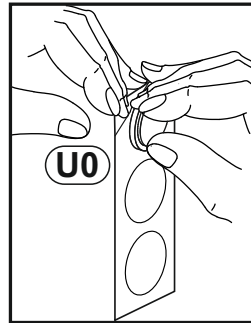
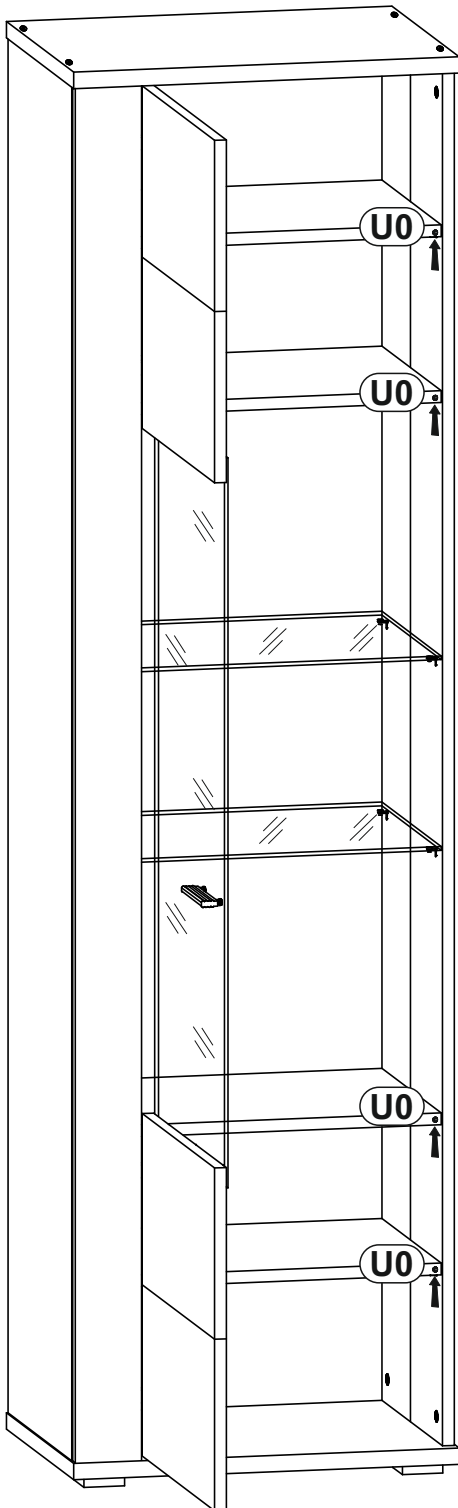
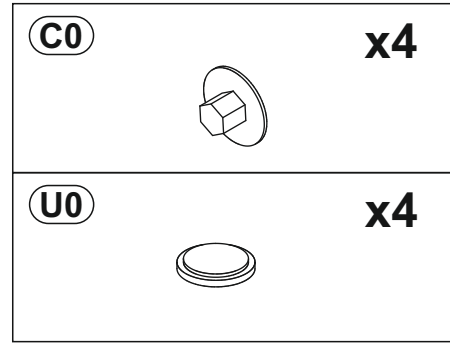
D11	4 x 20 mm	x2
		
L26		x1
		
U1		x2
		



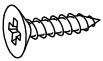
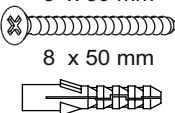
15 ▶ A



15 ▶ B



16 ▶

D10	4 x 16 mm	x2
		
E0	5 x 50 mm 8 x 50 mm	x1
		
P0		x1
