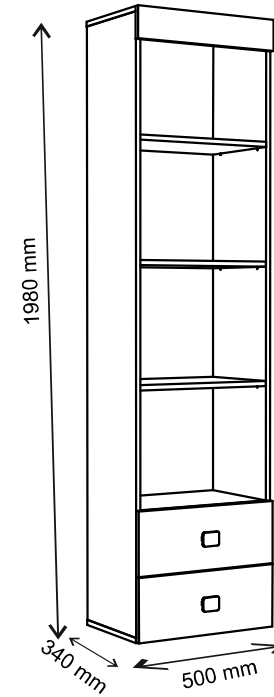
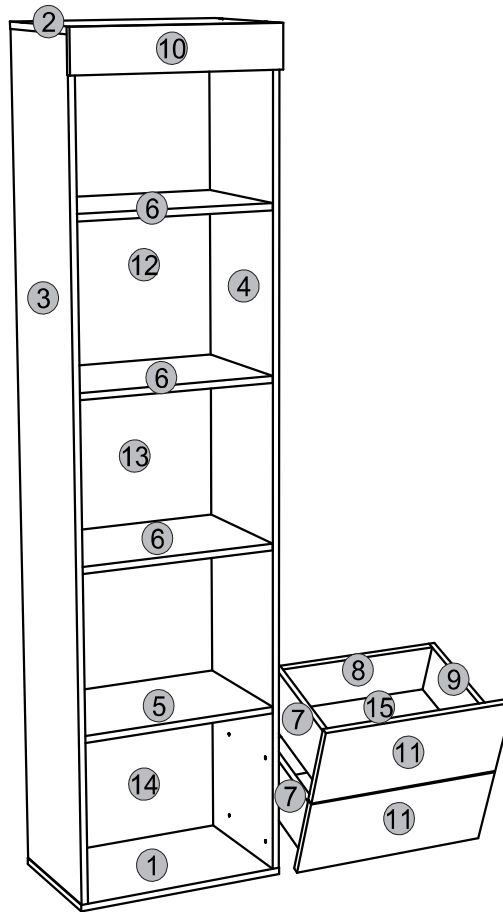
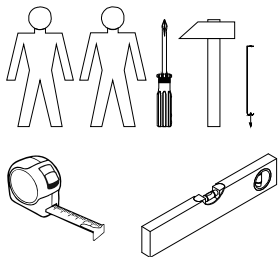
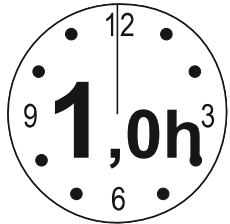


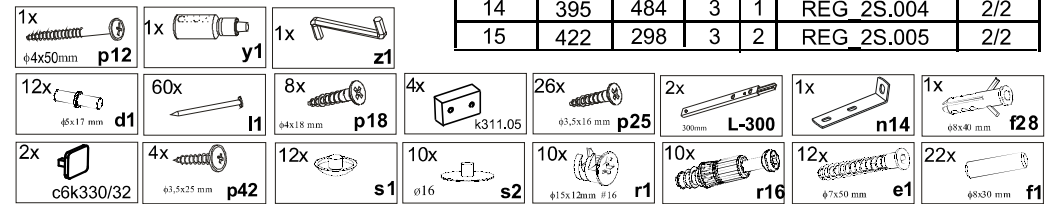
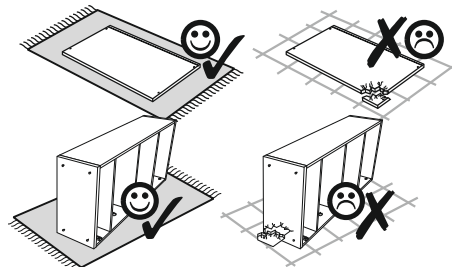
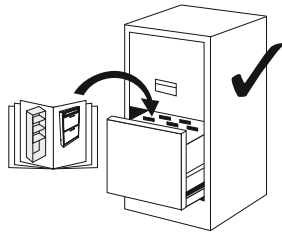


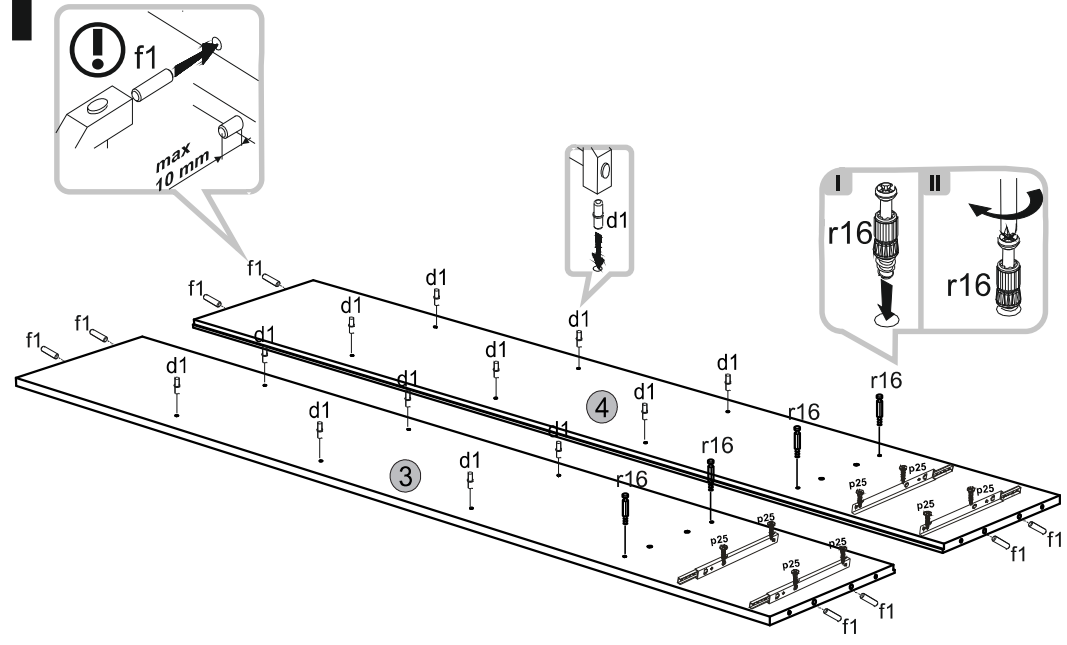
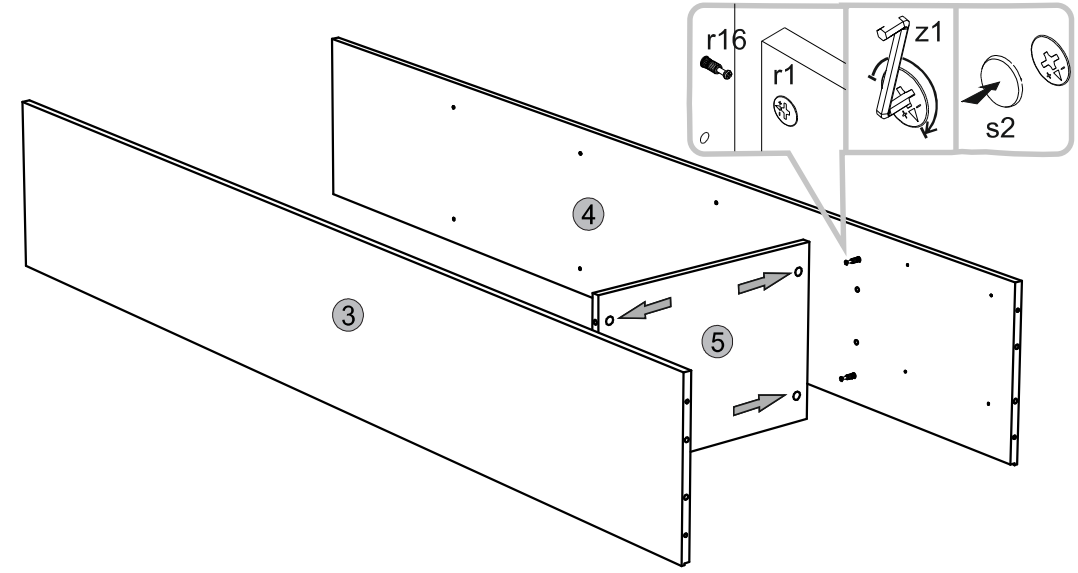
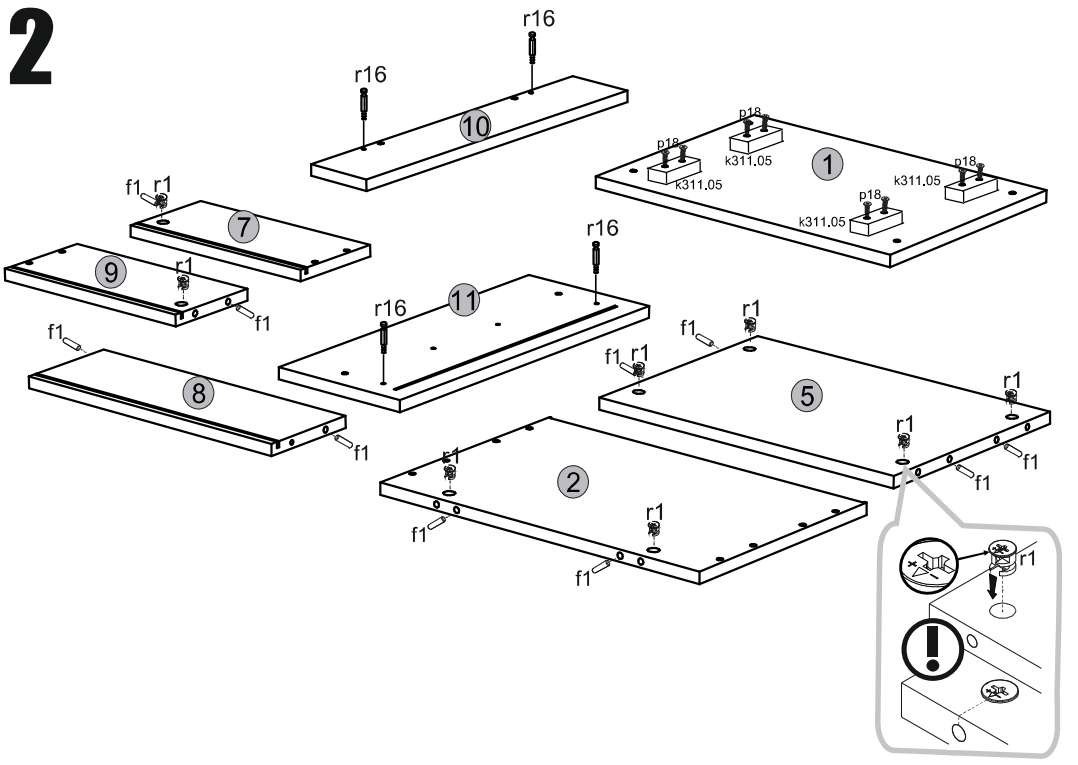
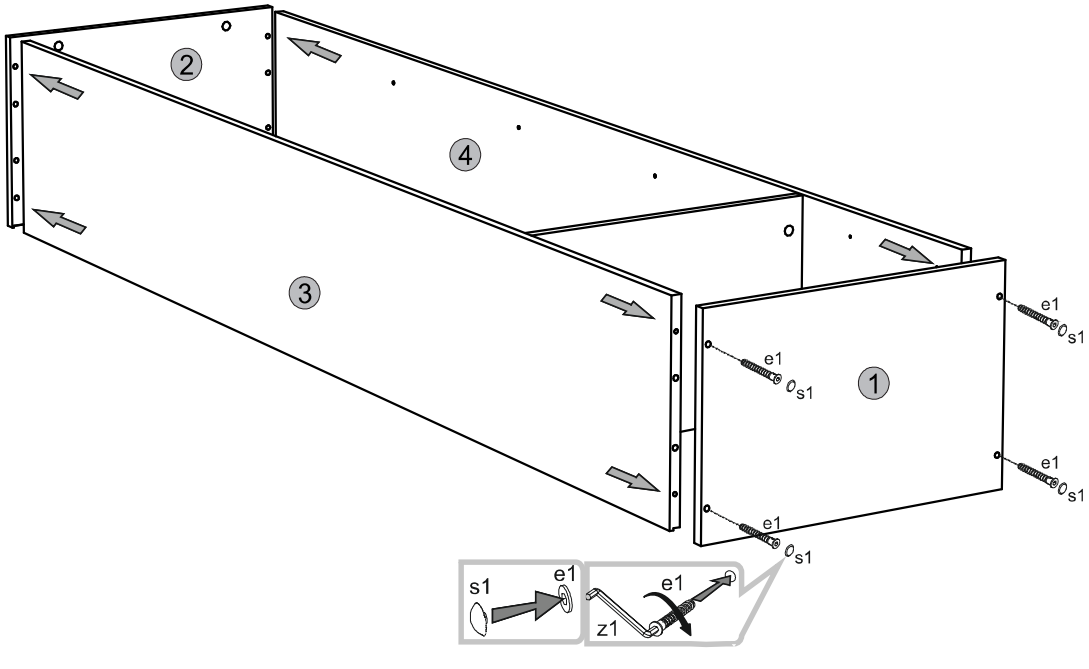
# Instalation manual

PAMP: Shelving 2S

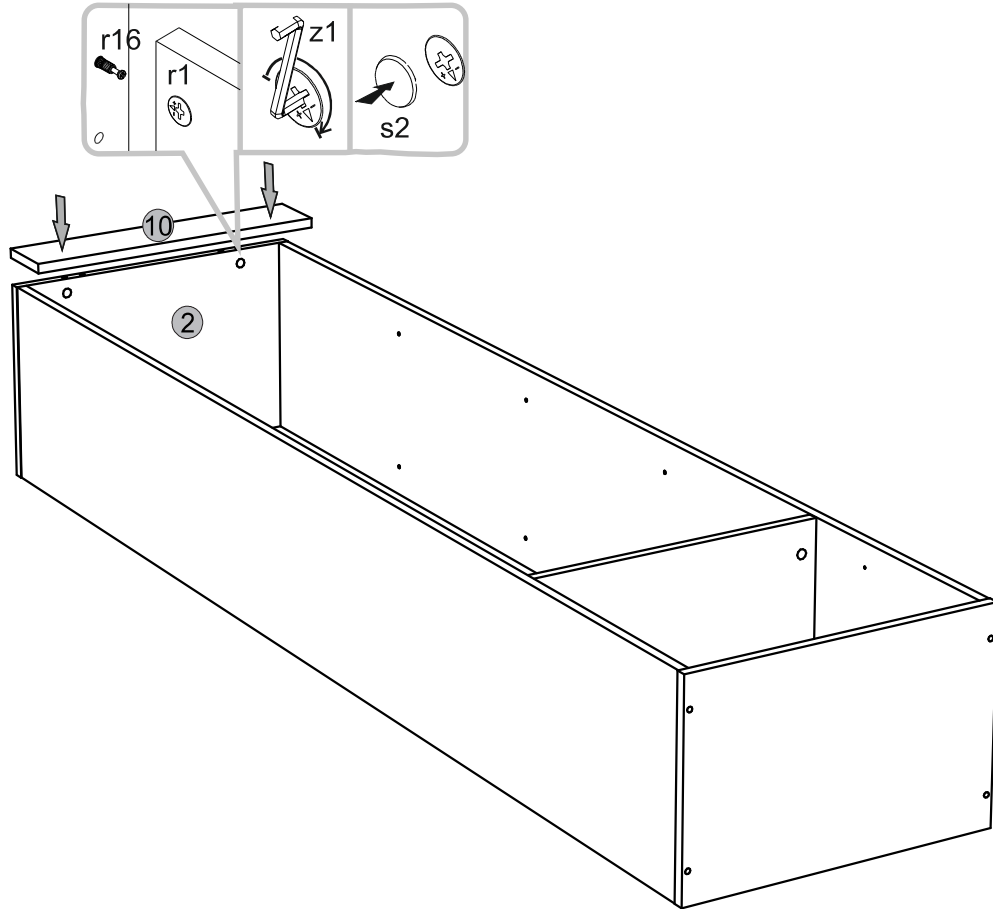


Element symbol	Dimensions				Code	Package
1	500	324	16	1	REG_2S.007	1/1
2	500	324	16	1	REG_2S.008	1/1
3	1928	324	16	1	REG_2S.009	1/1
4	1928	324	16	1	REG_2S.010	1/1
5	466	320	16	1	REG_2S.011	2/2
6	466	320	16	3	REG_2S.012	2/2
7	300	140	16	2	REG_2S.014	2/2
8	408	140	16	2	REG_2S.015	1/1
9	300	140	16	2	REG_2S.016	2/2
10	500	100	16	1	REG_2S.006	1/1
11	496	202	16	2	REG_2S.013	2/2
12	778	484	3	1	REG_2S.002	2/2
13	772	484	3	1	REG_2S.003	2/2
14	395	484	3	1	REG_2S.004	2/2
15	422	298	3	2	REG_2S.005	2/2

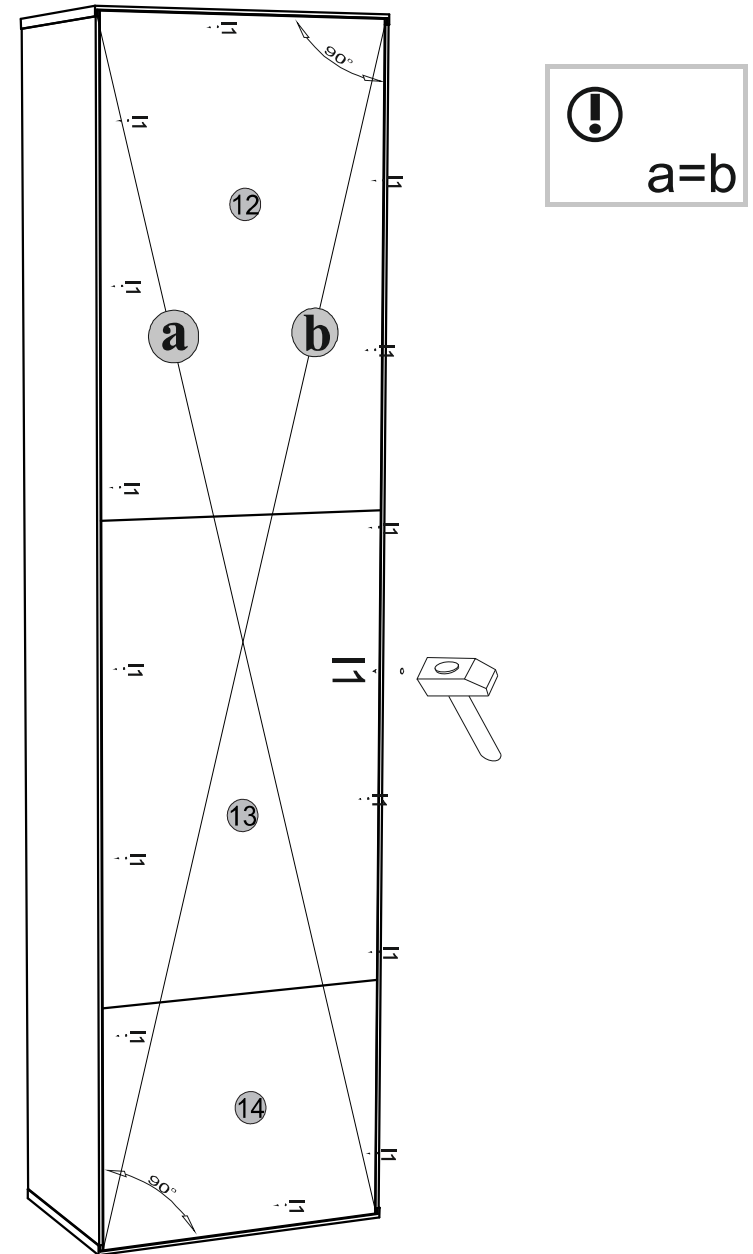


**1****3****2****4**

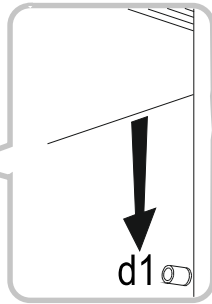
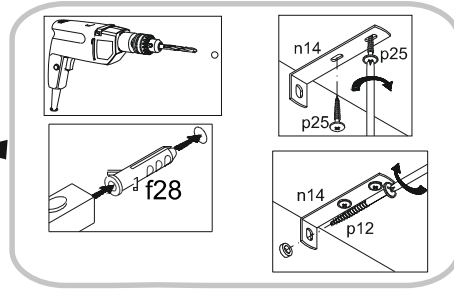
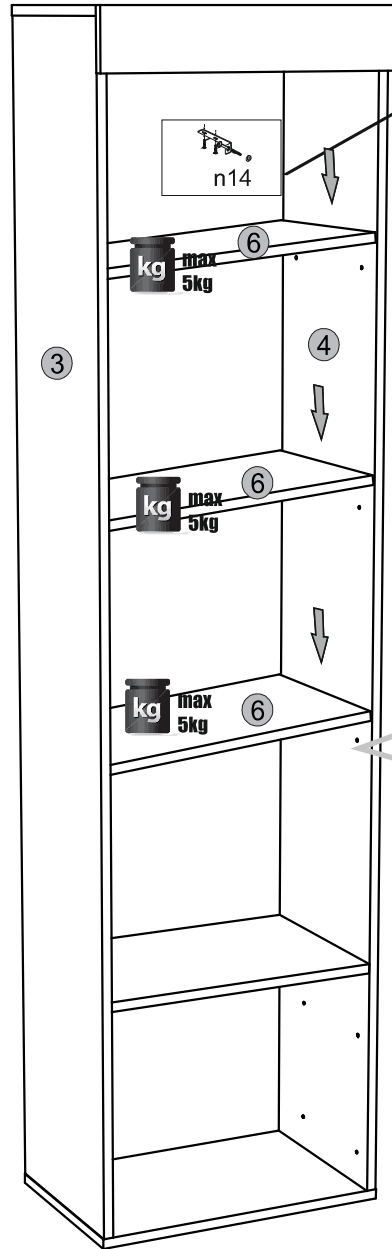
# 5



# 6



# 7



# 8

