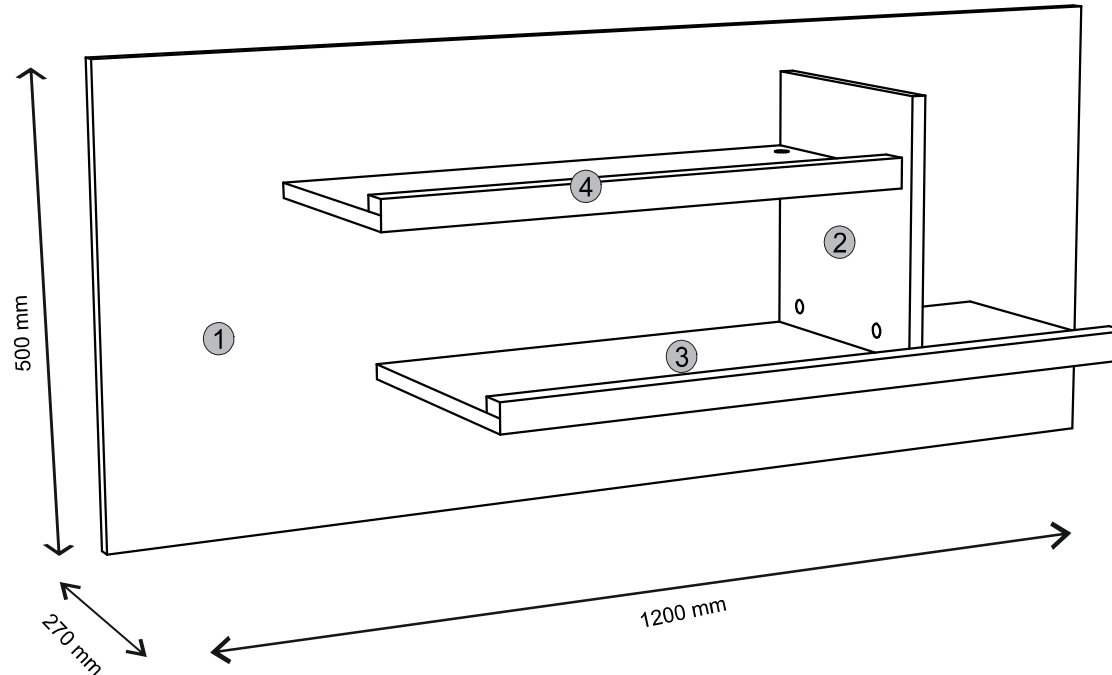
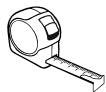
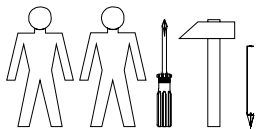
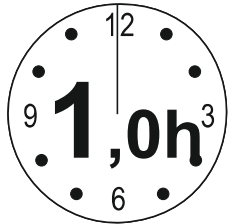


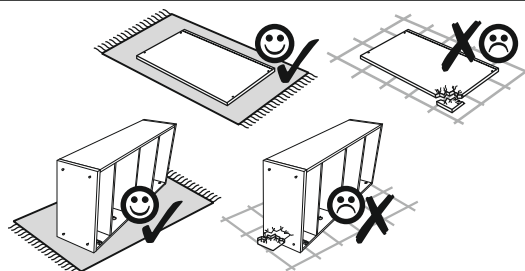
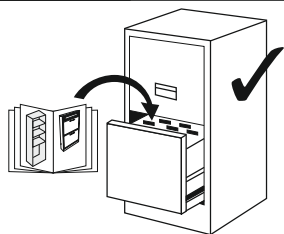


# Instalation manual

NORTON: PAN\_120



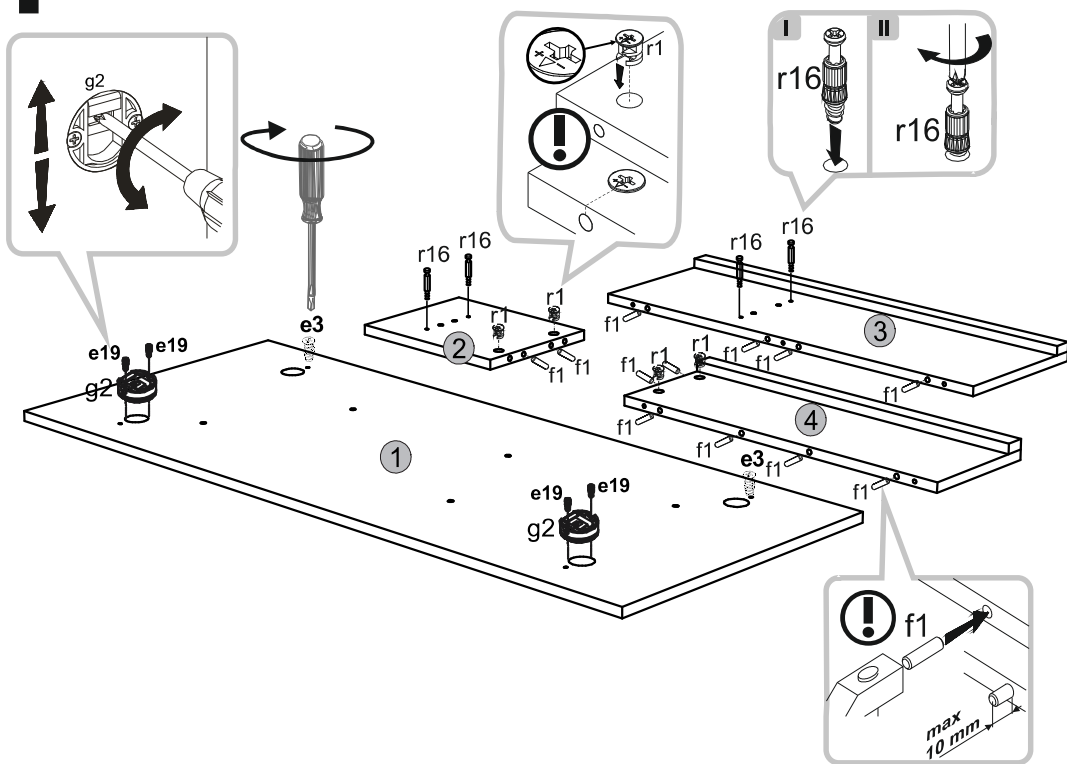
Element symbol	Dimensions				Code	Package
1	500	1200	16	1	K-103	1/1
2	280	219	16	1	K-104	1/1
3	750	250	16\32	1	K-303	1/1
4	592	200	16\32	1	K-304	1/1



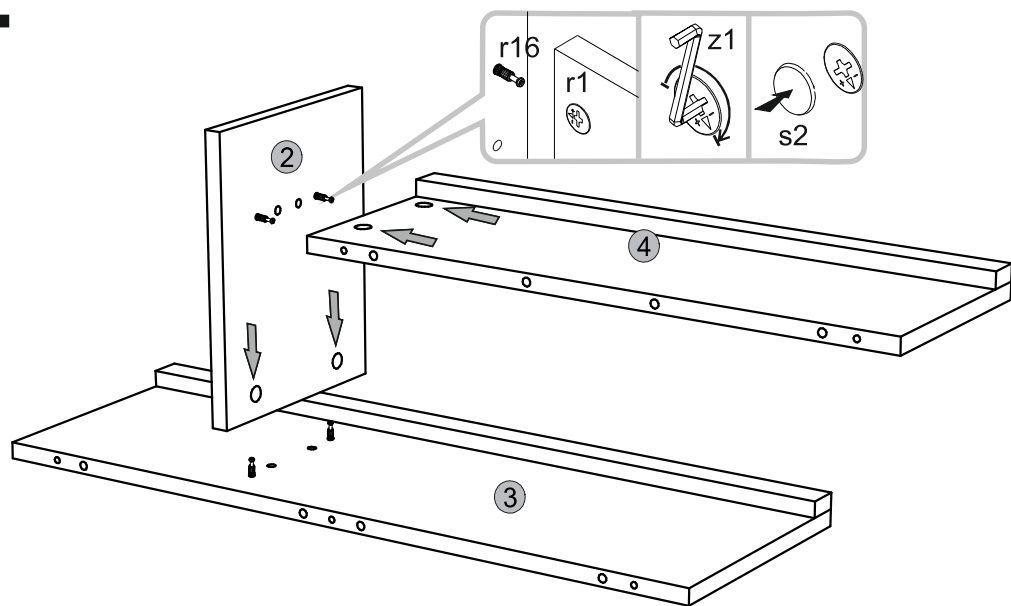
4x ø16 s2	1x z1	2x ø5x60 mm p17	2x ø10x50 mm f3
2x g2	4x ø5x9 mm e19	2x ø6x13 mm e3	5x s1
5x ø7x50 mm e1	4x ø15x12mm #16 r16	4x r16	12x ø8x30 mm f1



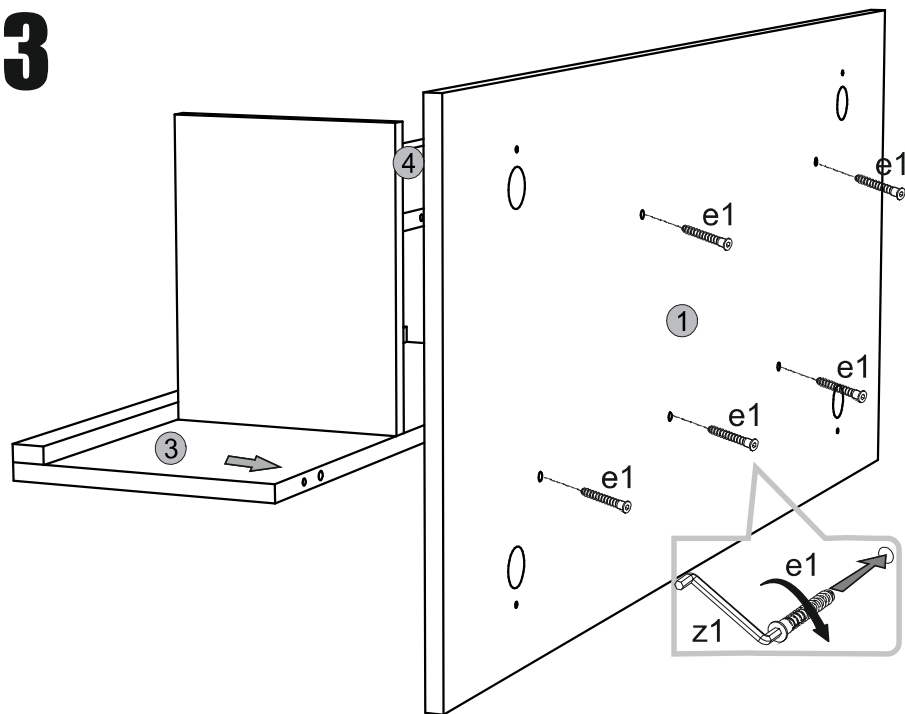
# 1



# 2



# 3



# 4

