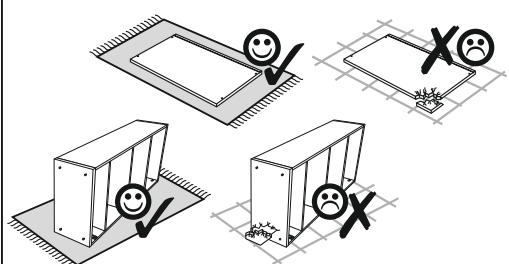
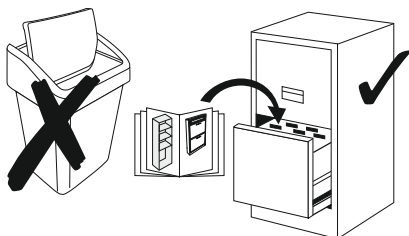
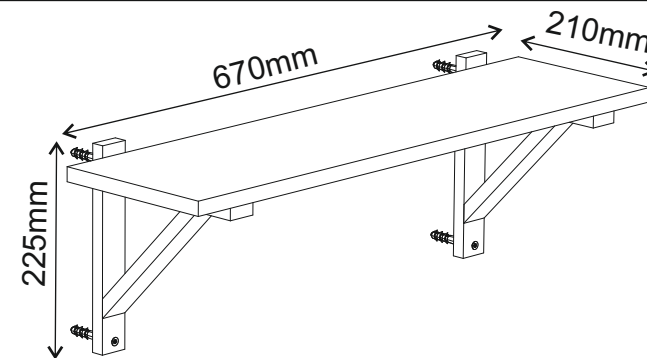
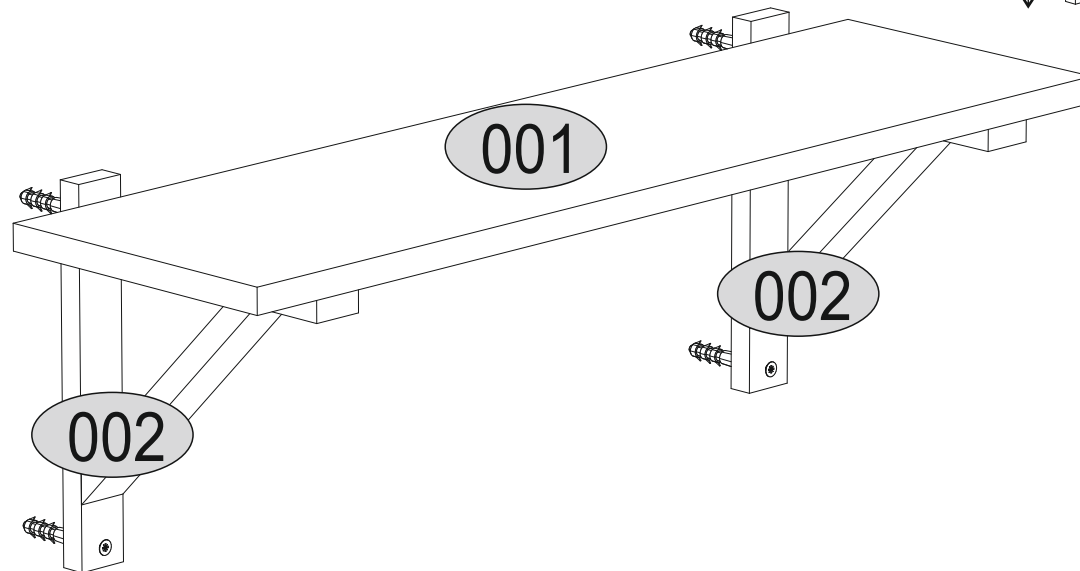
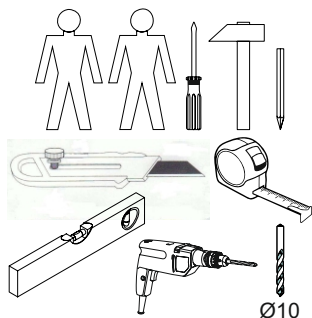
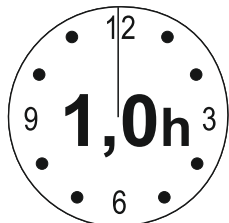








Installation manual

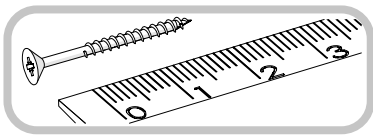
SHELF 67



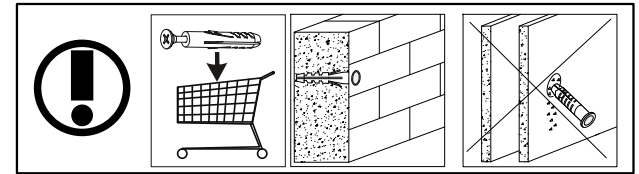
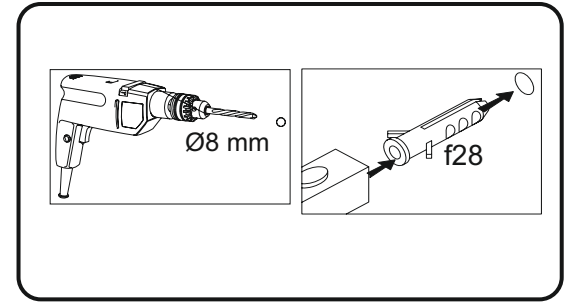
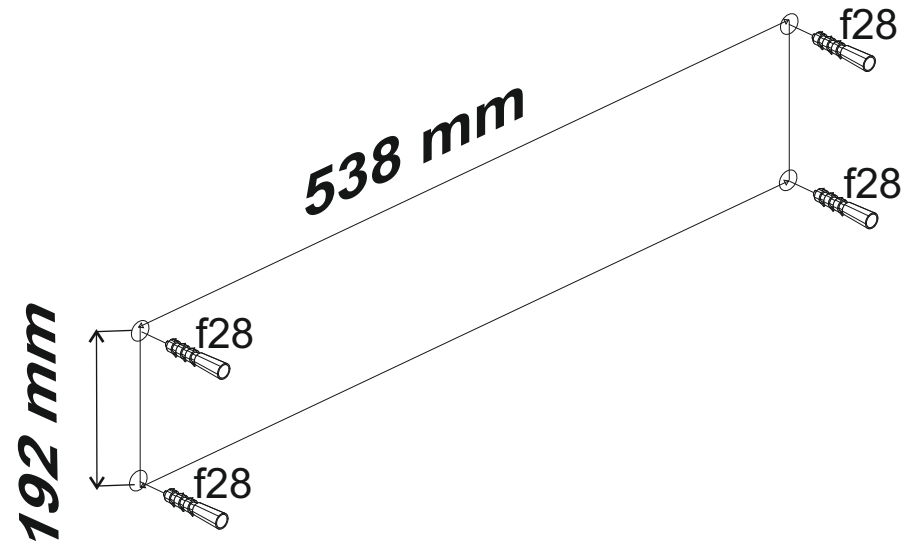
Code	Dimensions				Package
001	670	195	16	1	1/1
002	225	205	32	2	1/1
accessories				1	1/1

Accessories:

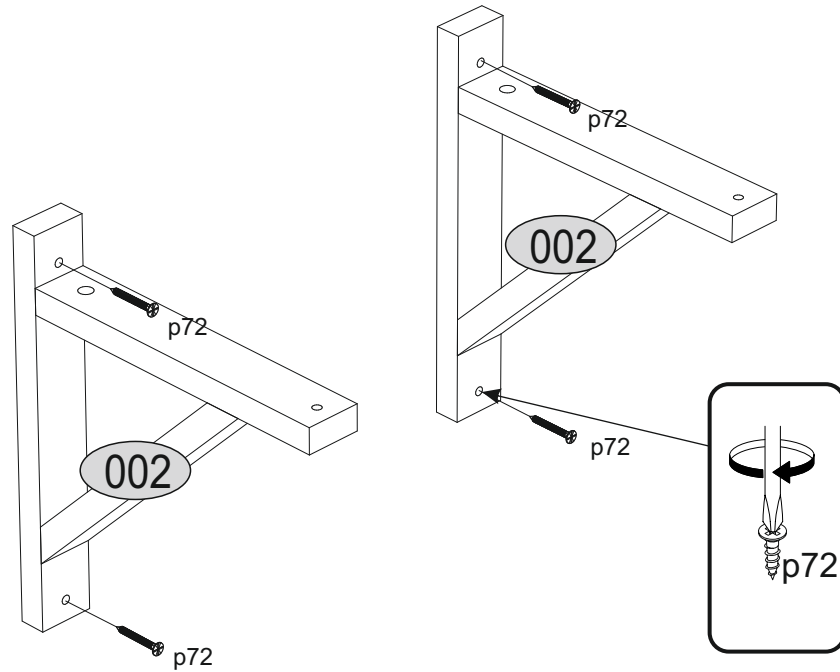
<p>x4 p72</p> <p>Ø4x40mm</p> 	<p>x4 f28</p> <p>Ø8x40mm</p> 	<p>x2 f13</p> <p>Ø8x20mm</p> 	<p>x2 p21</p> <p>Ø4x30mm</p> 
--	--	---	--



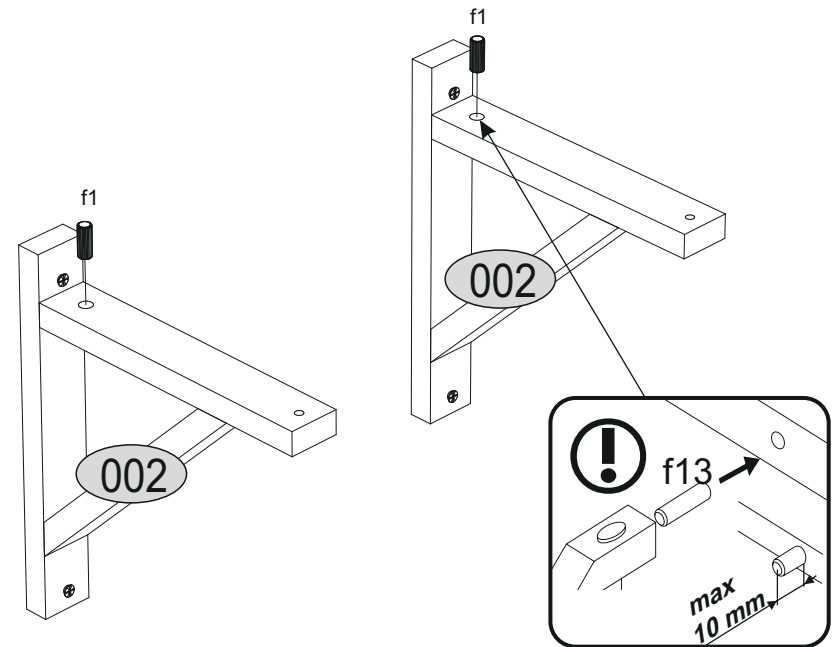
1



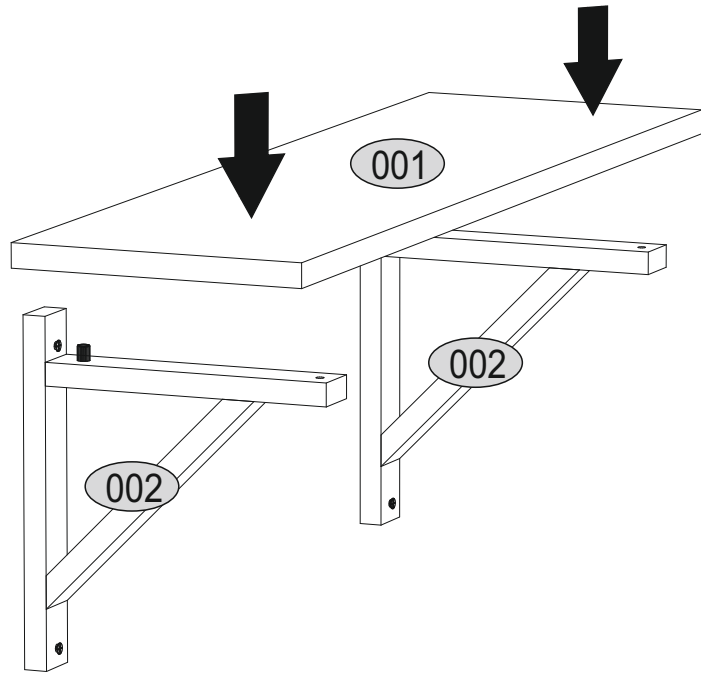
2



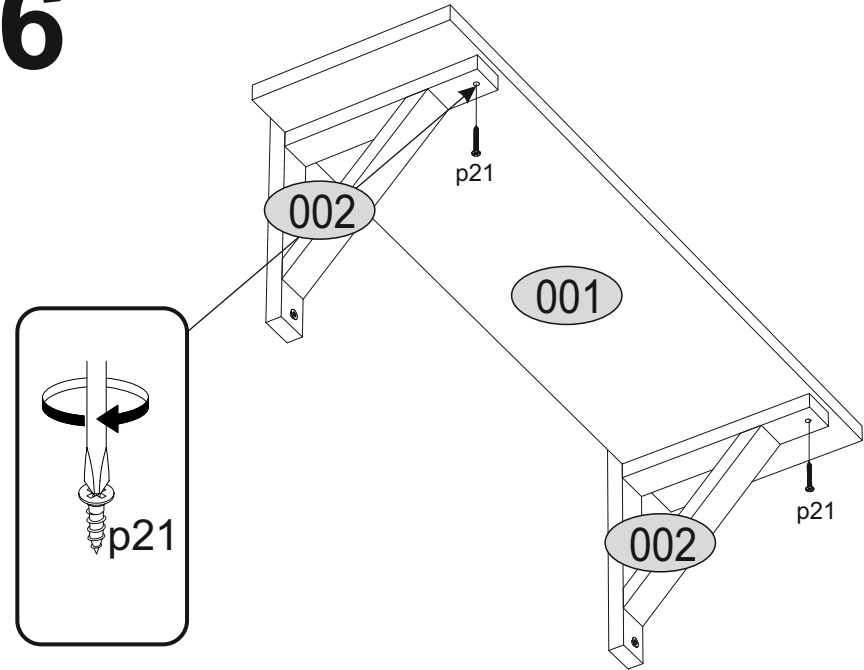
3



5



6



7

