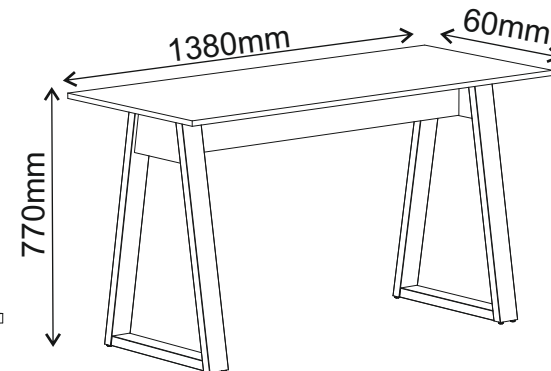
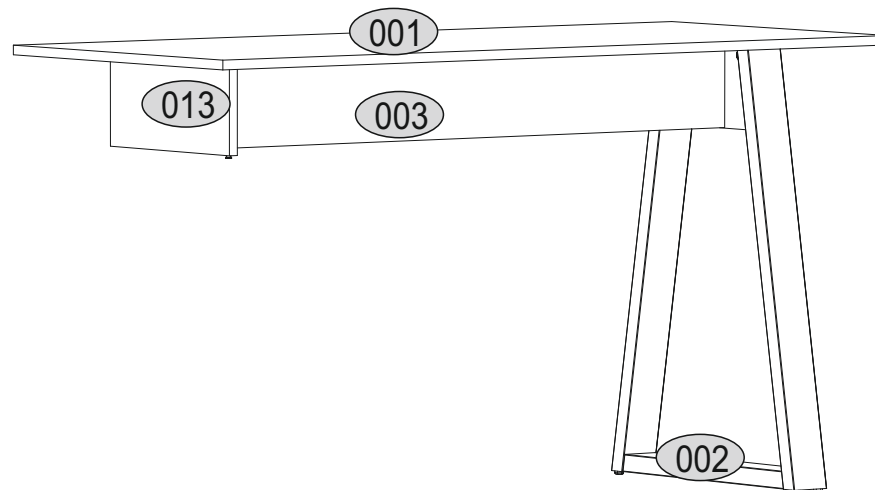
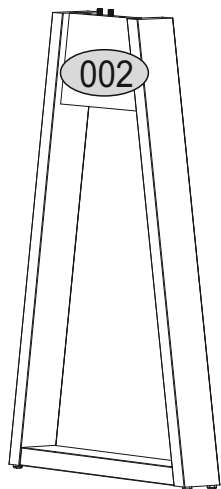
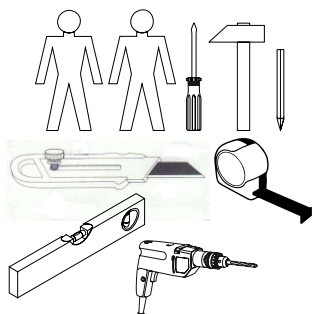
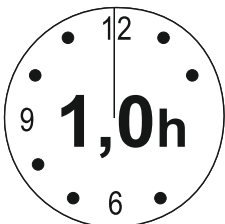




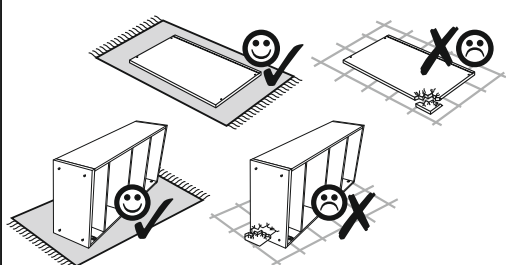
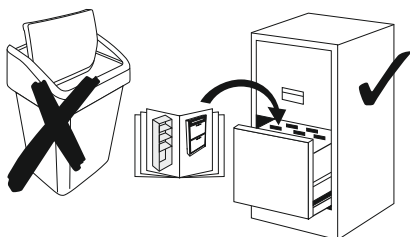
Installation manual

WRITING DESK 1380 LEG/TOP



TOP









Code	Dimensions			Anzahl	Package
001	1380	600	16	1	1/1
003	149	1136	16	1	1/1
013	150	340	16	1	1/1
002	760	70	510	1	1/1
accessories/zubehör				1	1/1

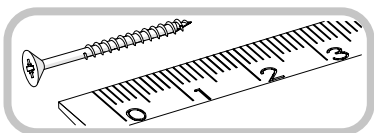


LEG

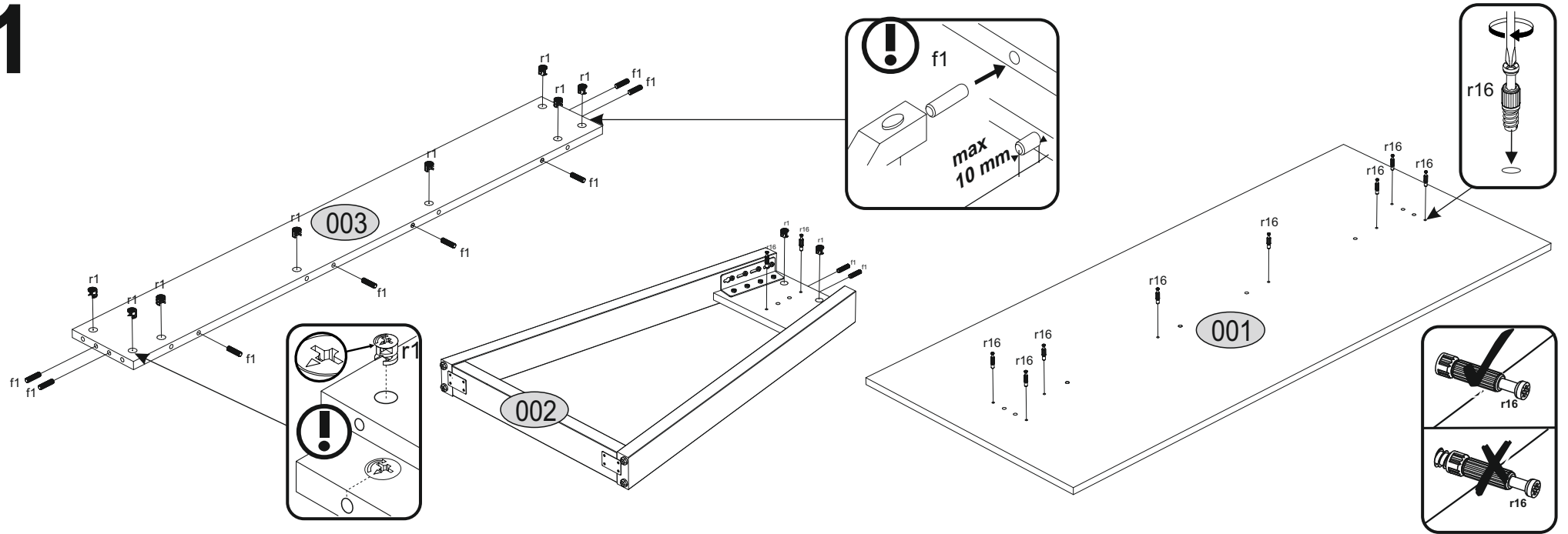
Code	Dimensions			Anzahl	Package
002	760	70	510	1	1/1

Accessories

<p>x12 f1</p> <p>Ø8x30mm</p> 	<p>x12 r16</p> 	<p>x12 r1</p> 	<p>x12 s2</p> 
<p>x3 e1</p> <p>Ø7x50mm</p> 	<p>x3 s1</p> 	<p>x1 s4</p> 	<p>x1 z1</p> 

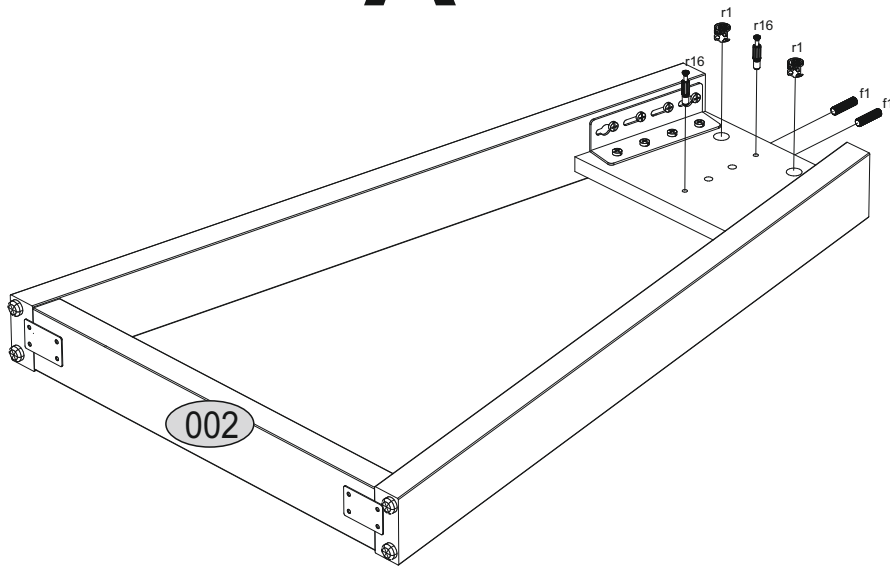


1



2

A



2

B

