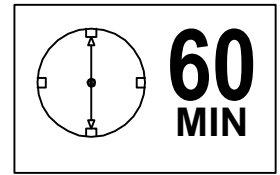
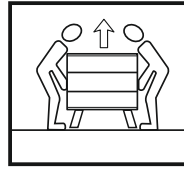
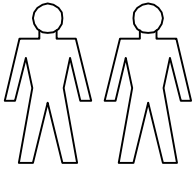
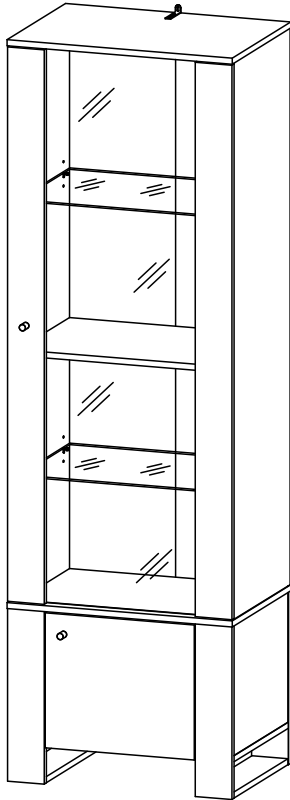


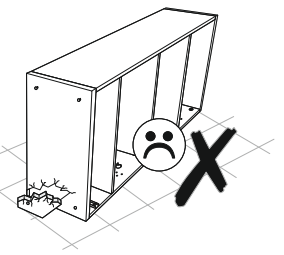
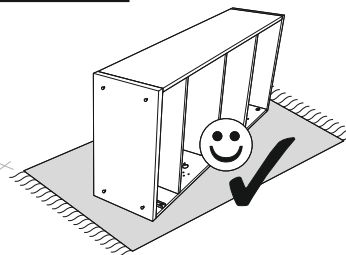
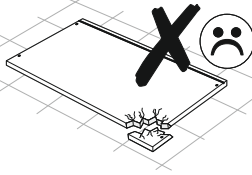
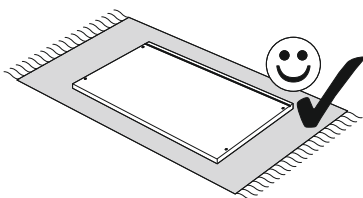
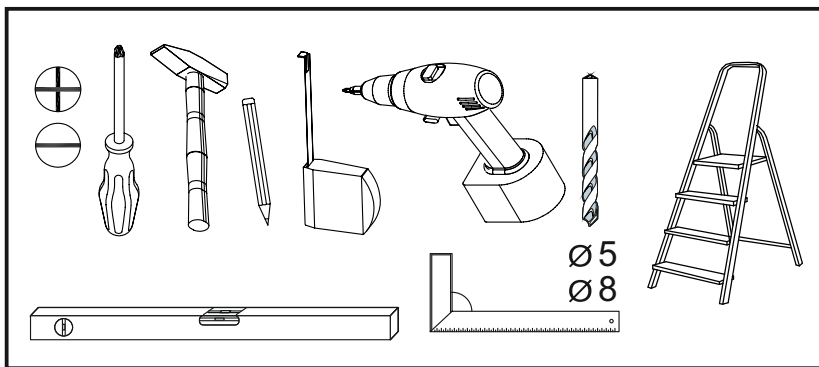
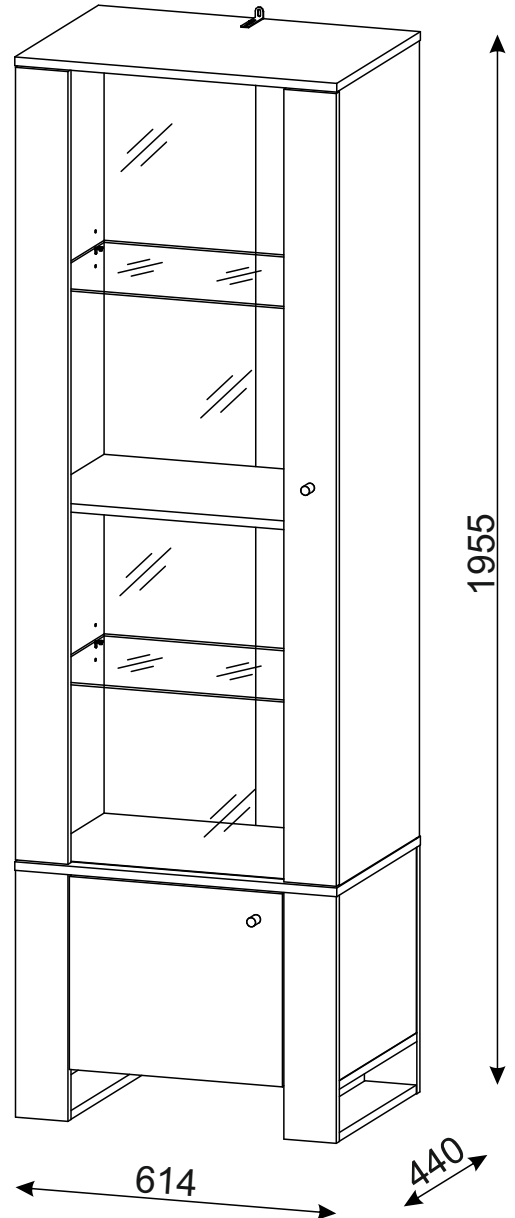
Wohnen WOOD Tall cabinet 1D+1Dglass





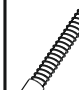
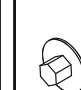
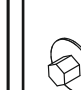

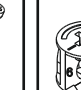






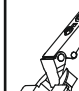

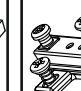

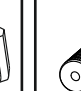

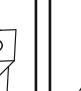


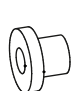

R

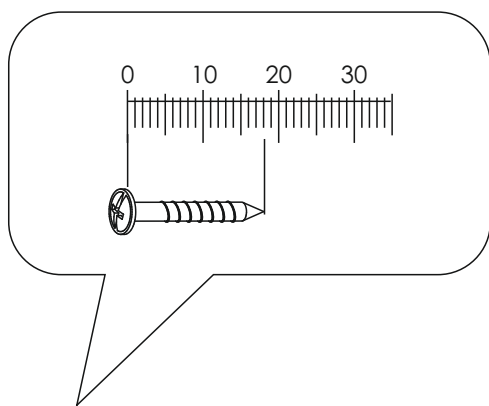


L

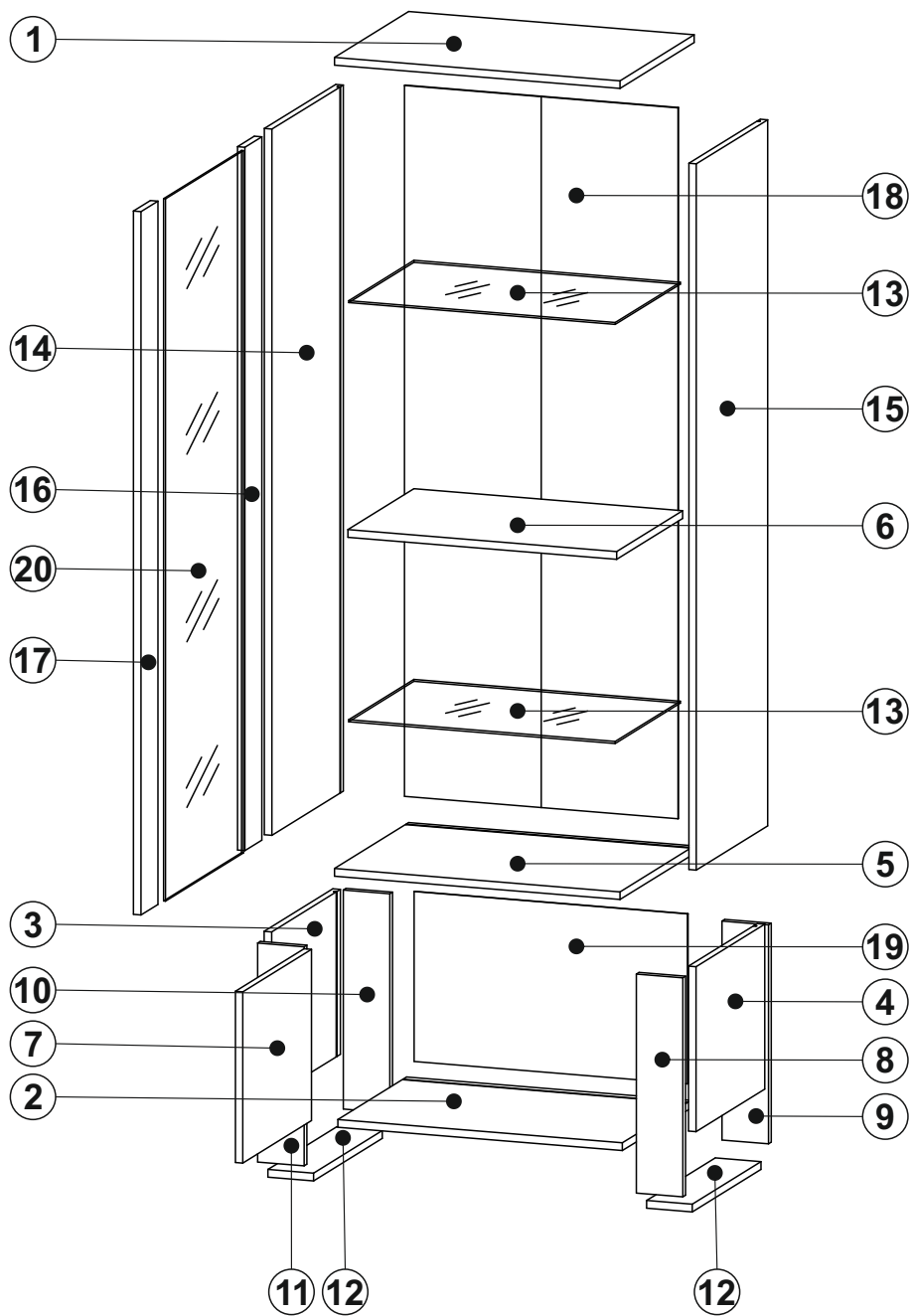


Wohnen WOOD Tall cabinet 1D+1Dglass

A0  Ø8x30 x32	A1  Ø8x50 x4	B1  Ø7x50 x20	C0  x18	C0  x2	C2  x26	C7  16mm x26	D0  3x15 x24	D4  3,5x18 x12	D5  3,5x16 x10	E0  8x50 x1
H2  4x22 x2	J6  x3	J8  x3	J26  x2	J27  H=4 x2	K  4mm x1	L44  x2	M1  x22	P0  x1	Q1  x8	T3  x8
U1  x8	U0  x3									



Wohnen WOOD Tall cabinet 1D+1Dglass



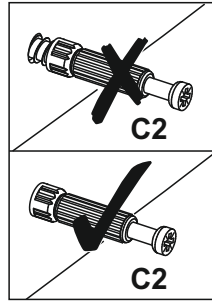
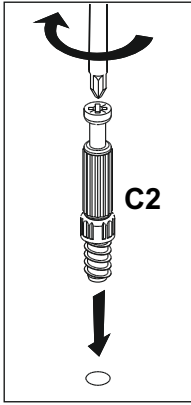
①	614	439	16	x1	1/2
②	612	406	16	x1	1/2
③	342	406	16	x1	1/2
④	342	406	16	x1	1/2
⑤	614	439	16	x1	1/2
⑥	578	390	16	x1	1/2
⑦	355	406	16	x1	1/2


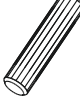


⑧	454	100	16	x1	1/2
⑨	454	100	16	x1	1/2
⑩	454	100	16	x1	1/2
⑪	454	100	16	x1	1/2
⑫	406	98	16	x2	1/2
⑬	573	385	5	x2	1/2
⑭	1464	422	16	x1	2/2

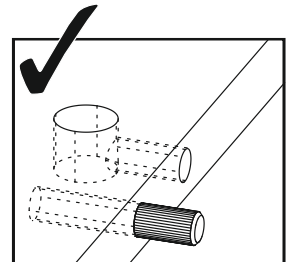
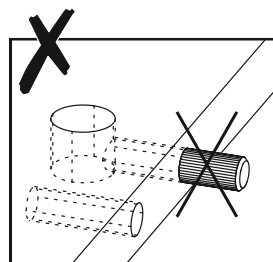
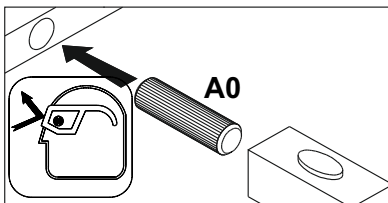
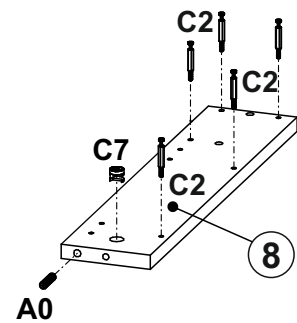
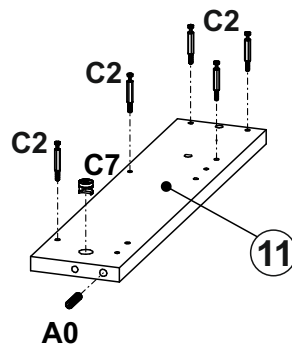
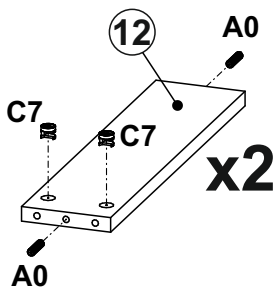
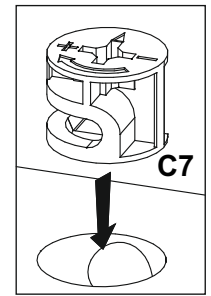
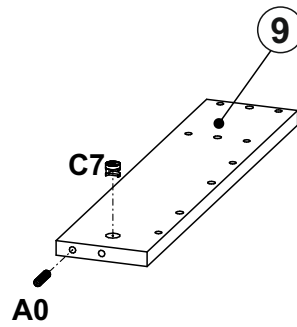
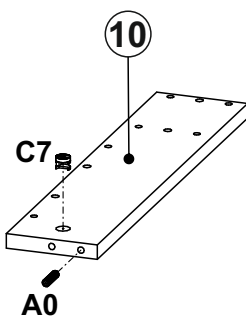
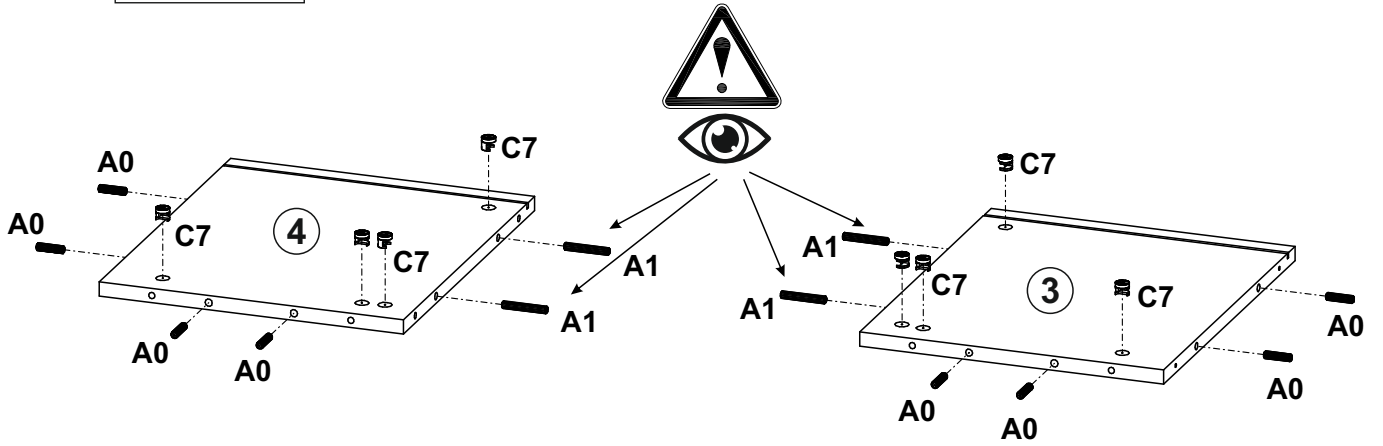
⑮	1464	422	16	x1	2/2
⑯	1458	100	16	x1	2/2
⑰	1458	100	16	x1	2/2
⑱	1474	588	3	x1	2/2
⑲	352	588	3	x1	2/2
⑳	1456	461	4	x1	2/2
					1/2



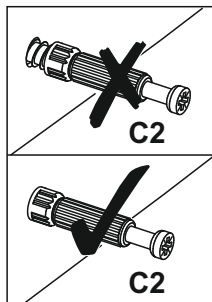
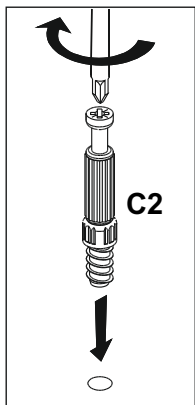
1

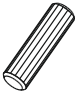



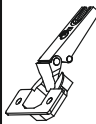



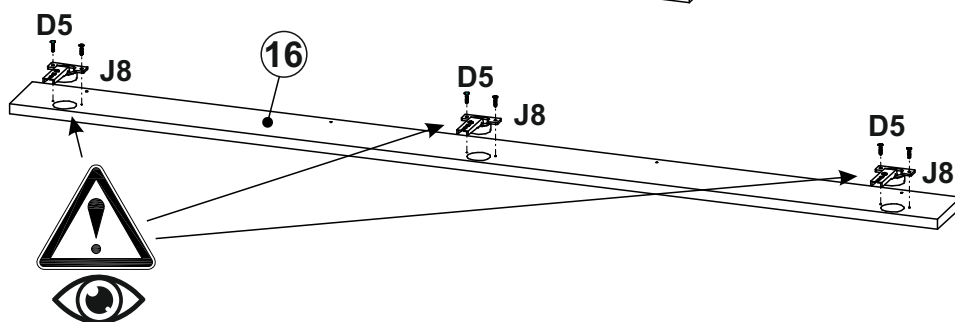
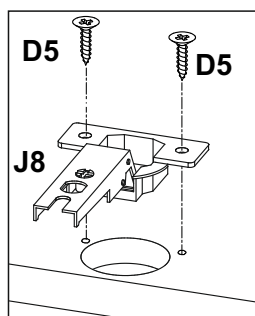
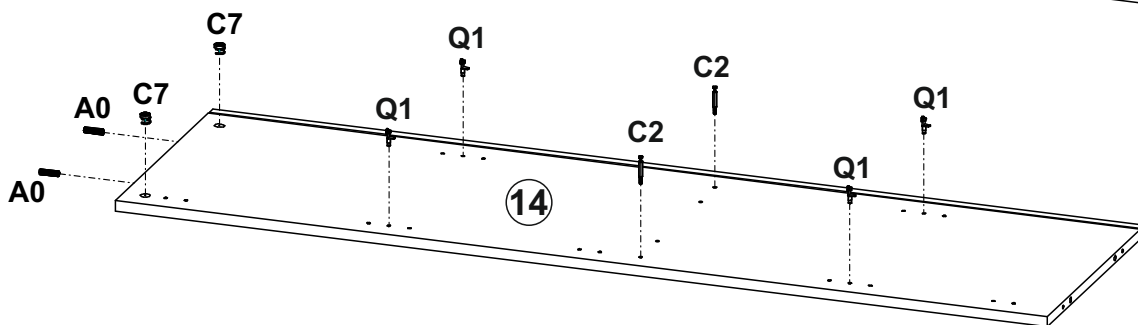
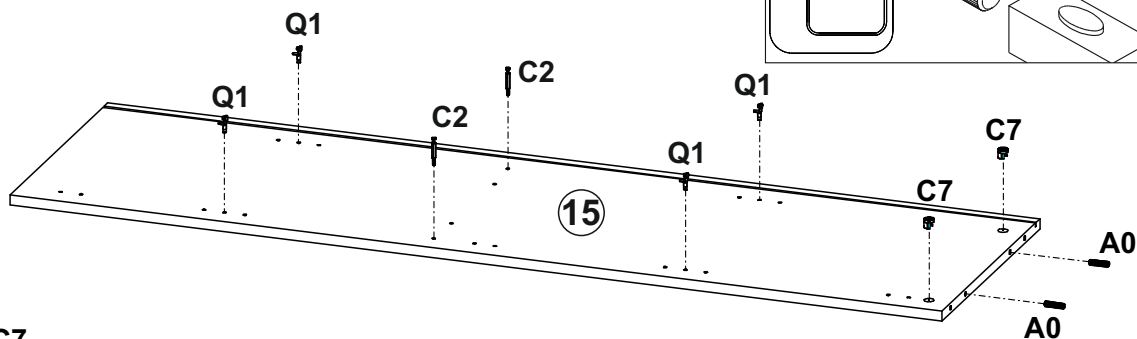
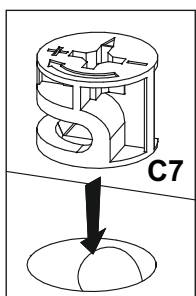
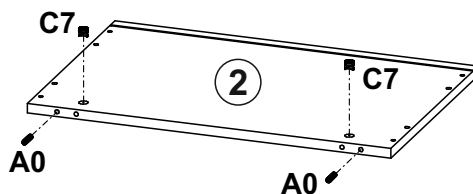
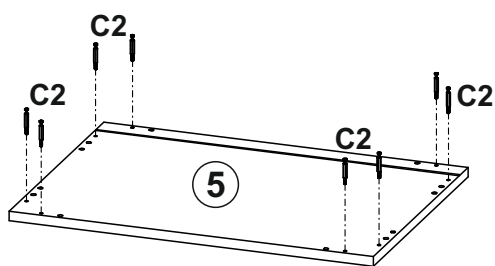
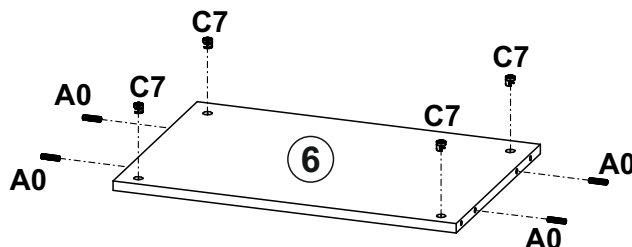
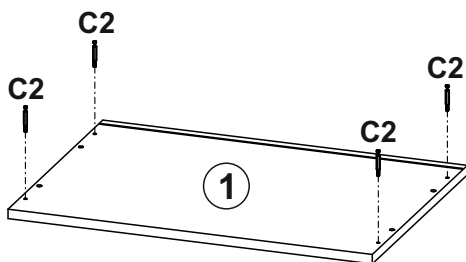
A0	A1	C2	C7
			
ø8x30	ø8x50		16mm
x16	x4	x10	x16



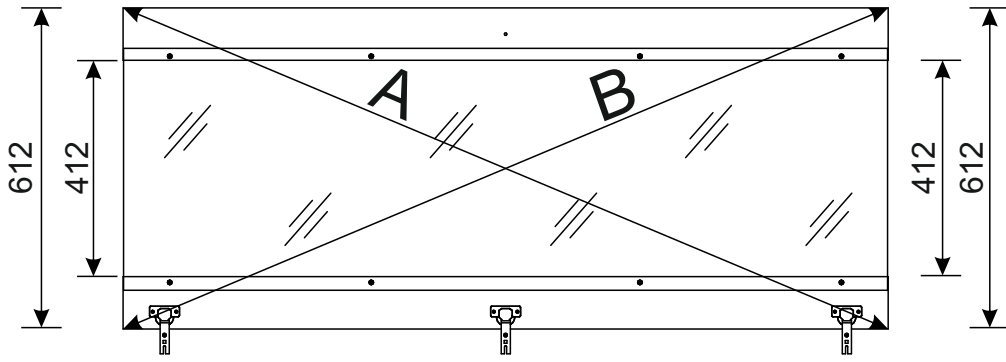
2


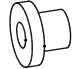


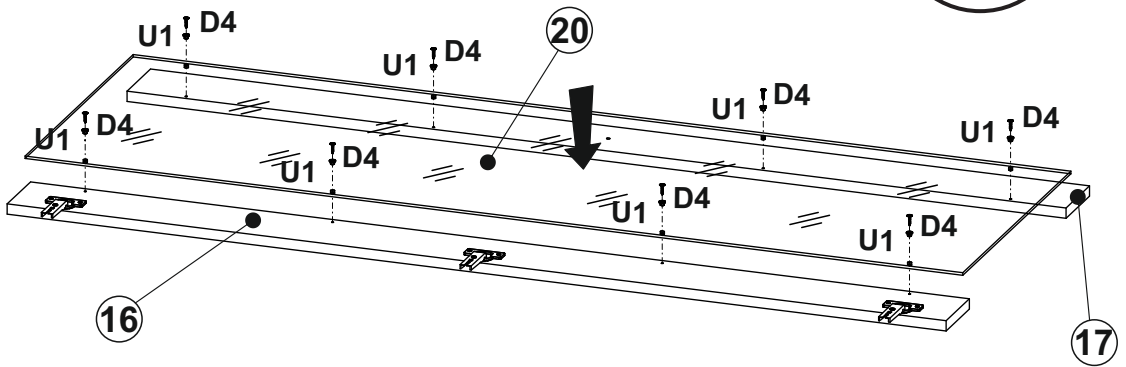
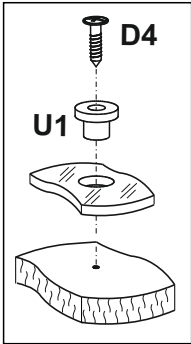
A0  ø8x30 x10	C2  x16	C7  16mm x10	D5  3,5x16 x6	J8  x3	Q1  x8
---	--	--	---	---	---



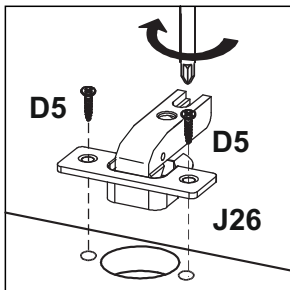
3


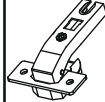


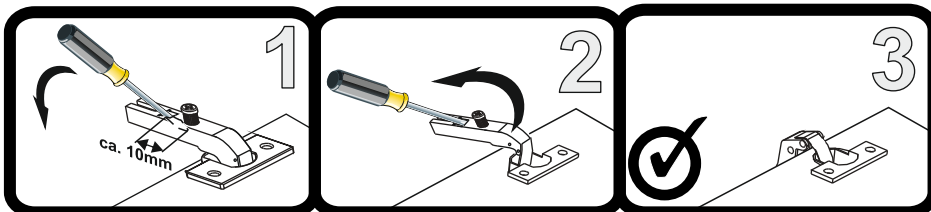
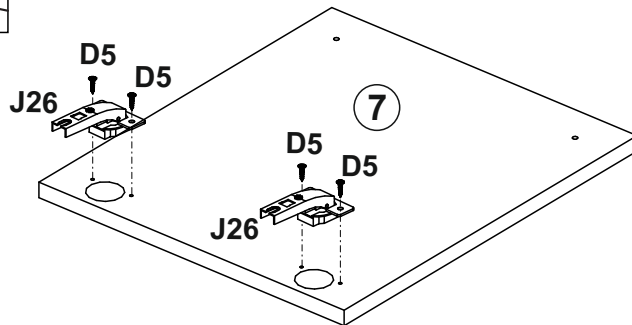
D4	U1
	
3,5x18	
x8	x8



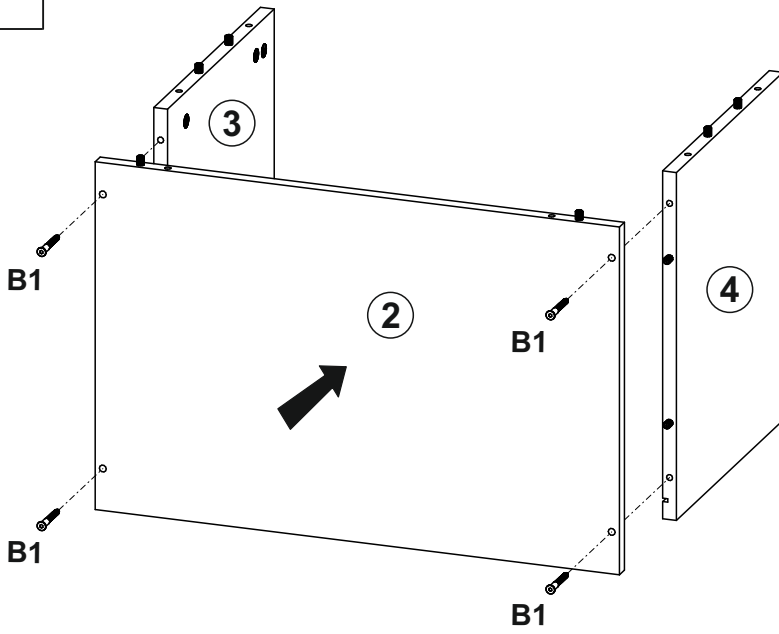
4





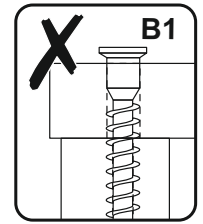
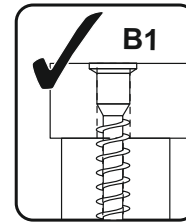
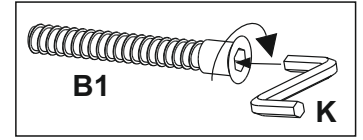
D5	J26
	
3,5x16	
x4	x2



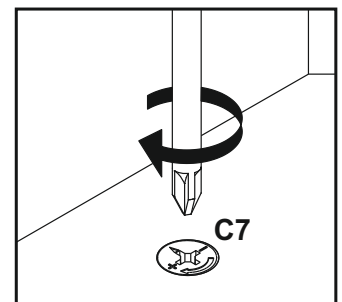
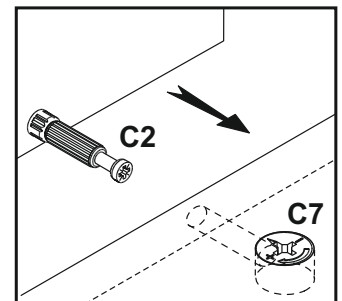
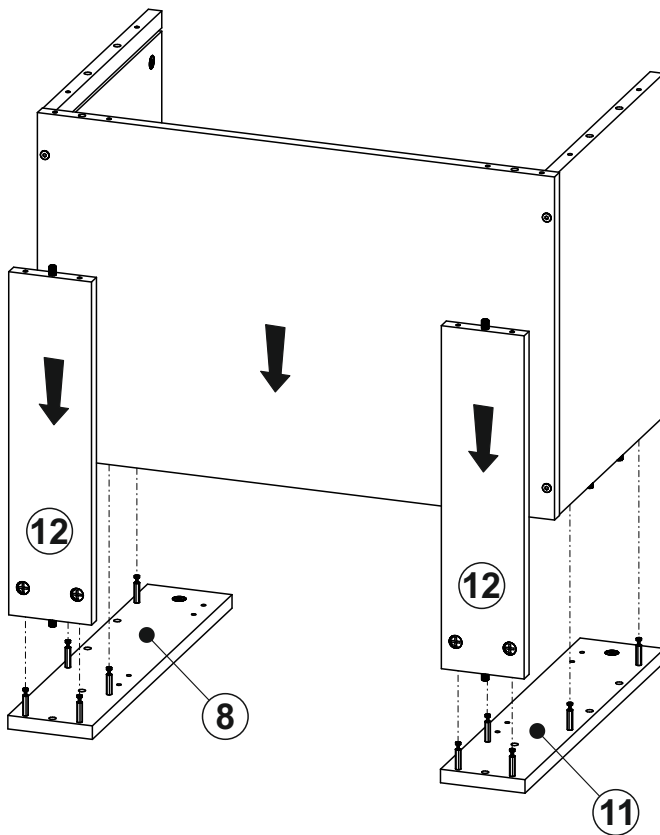
5



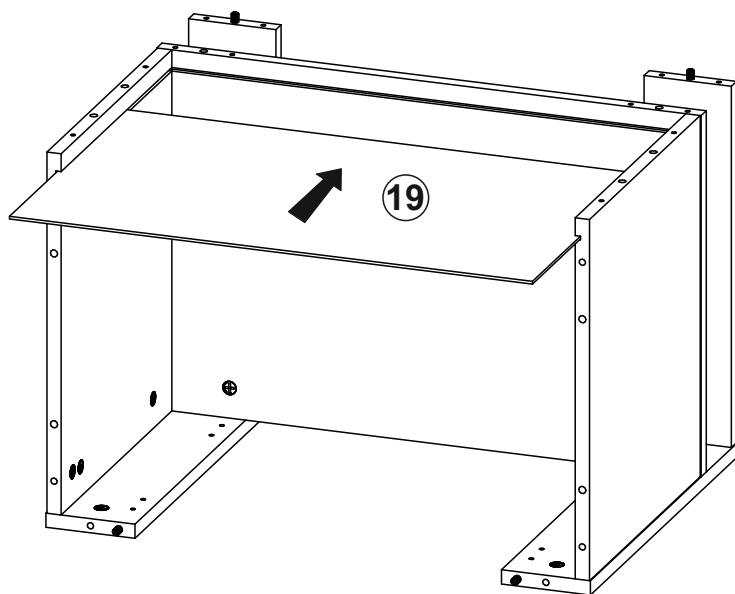
B1	K
	
ø7x50	4mm
x4	x1



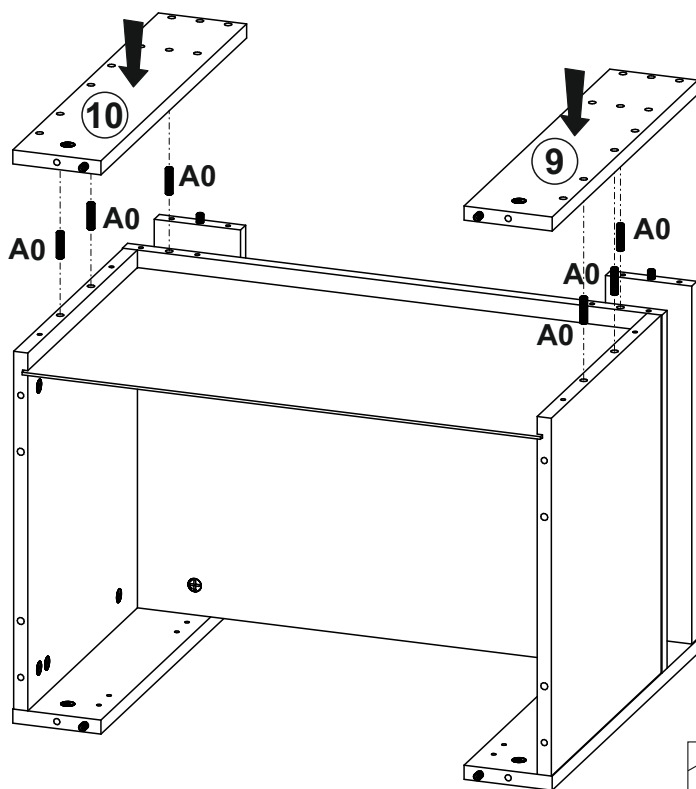
6




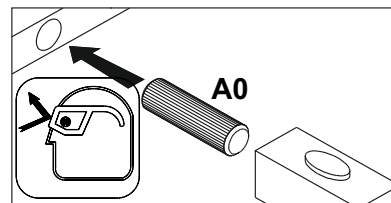
7



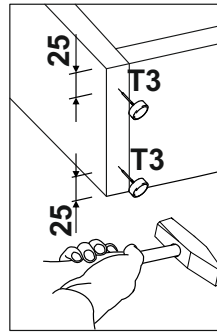
8



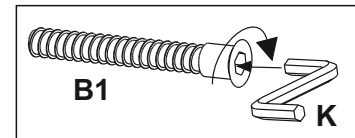
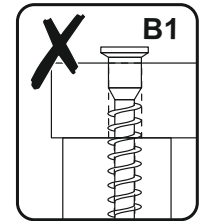
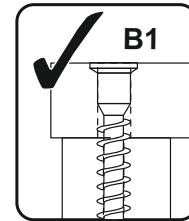
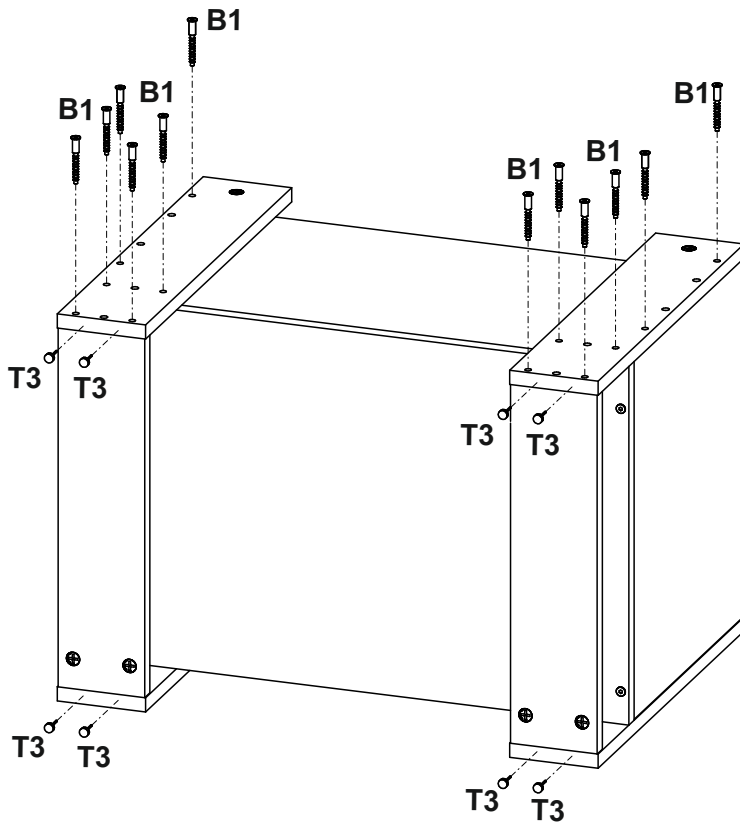
A0

ø8x30
x6



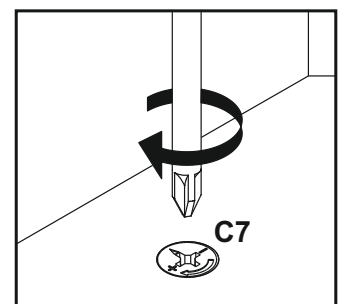
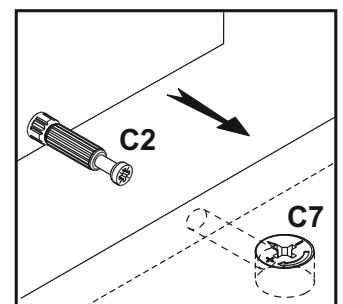
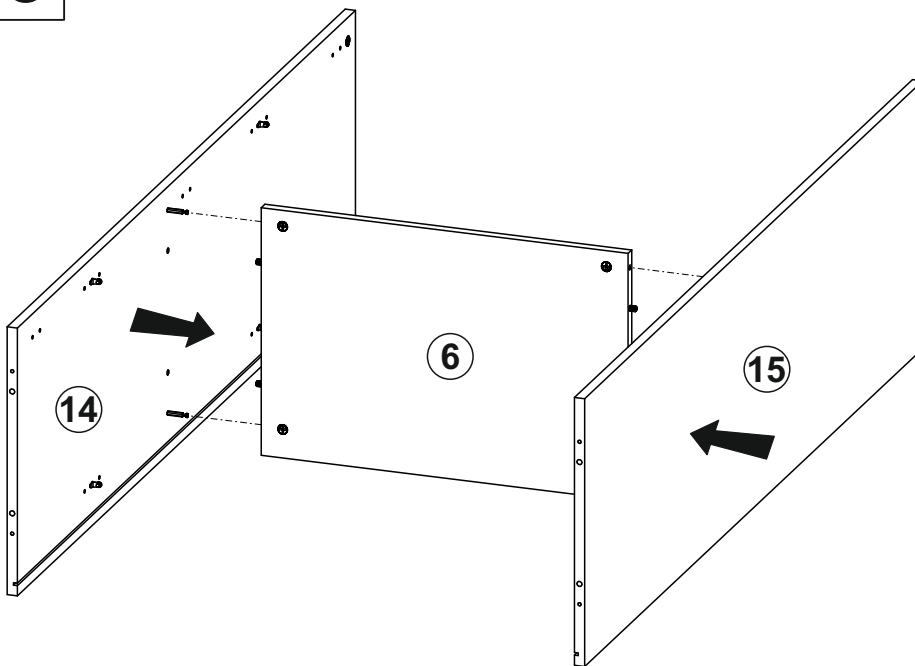
9



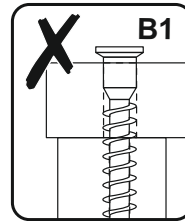
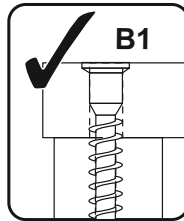
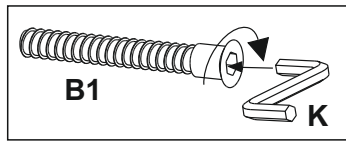
B1	K	T3
ø7x50	4mm	
x12	x1	x8





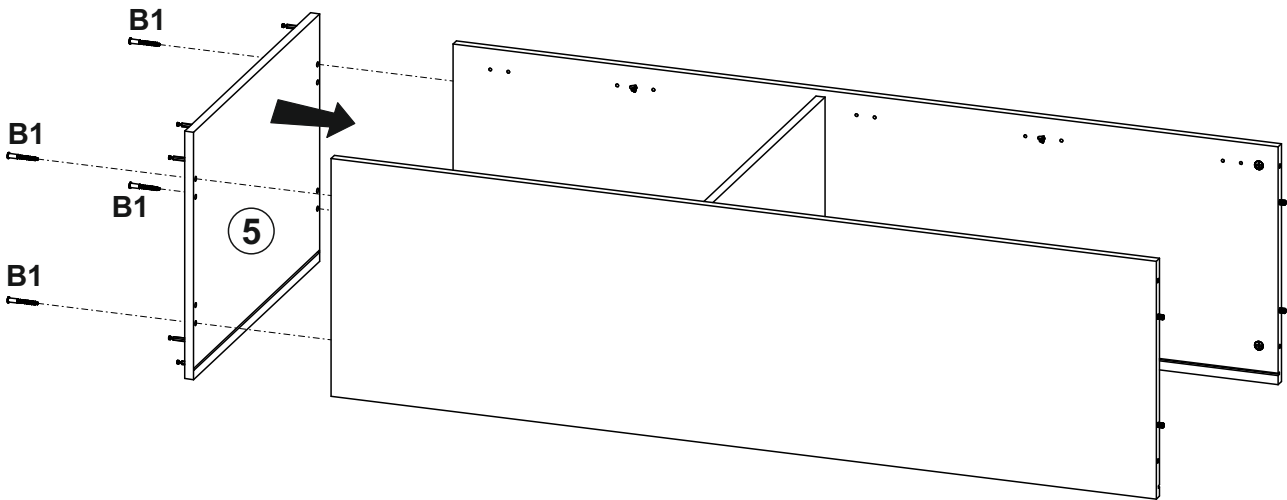
10



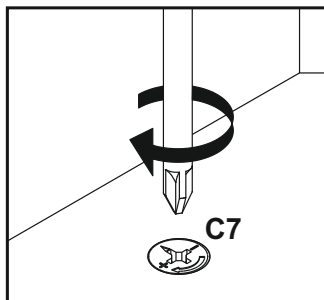
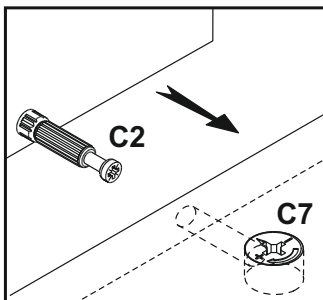
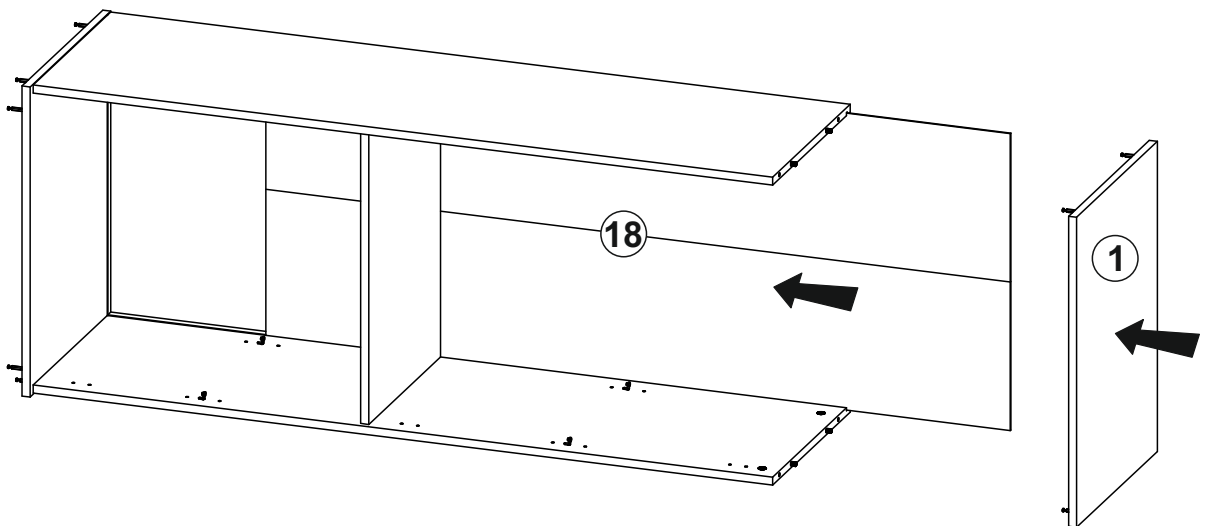
11



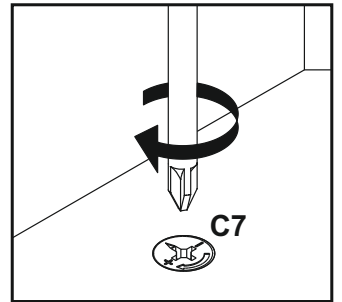
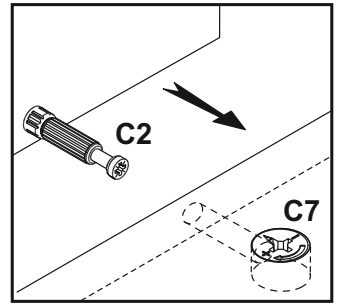
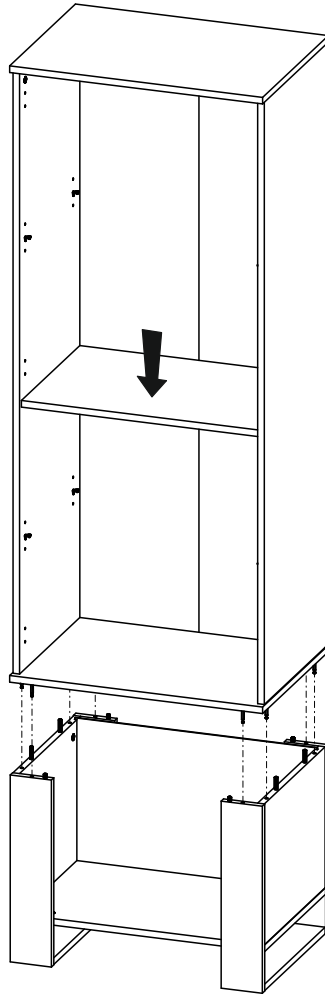
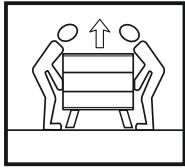
B1	K
 ø7x50	 4mm
x4	x1



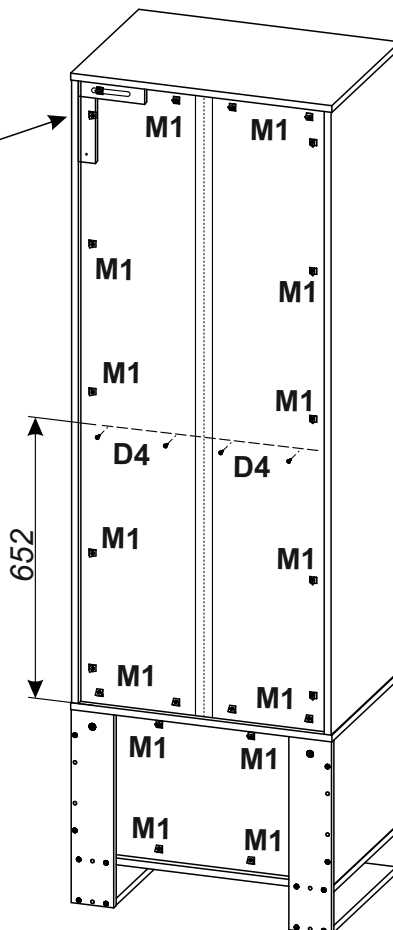
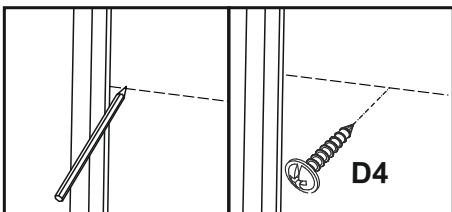
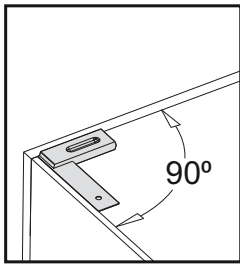
12



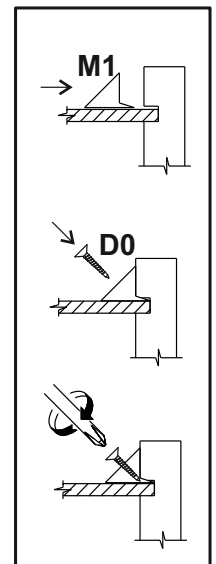
13



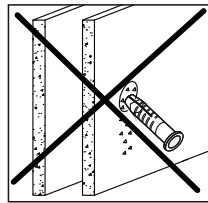
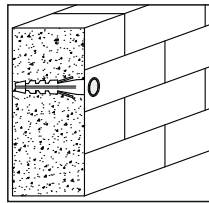
14



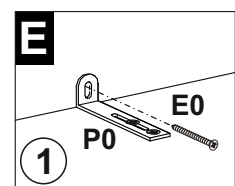
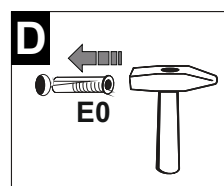
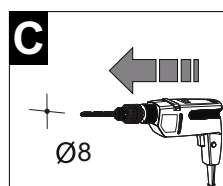
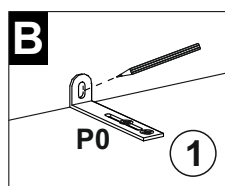
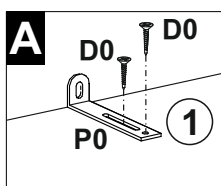
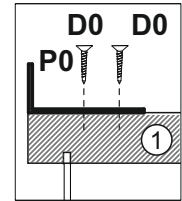
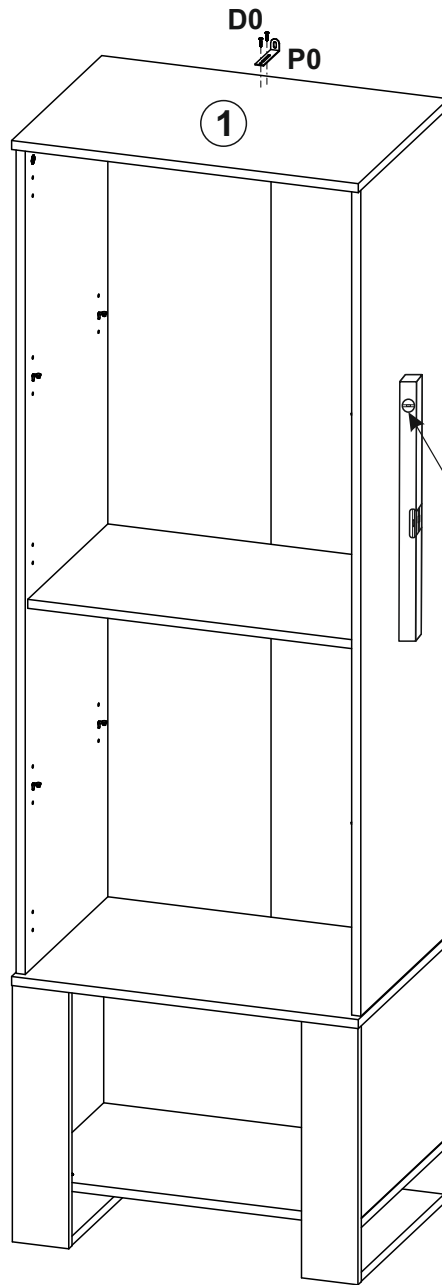
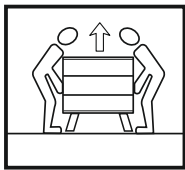
D0	D4	M1
3x15	3,5x18	
x22	x4	x22

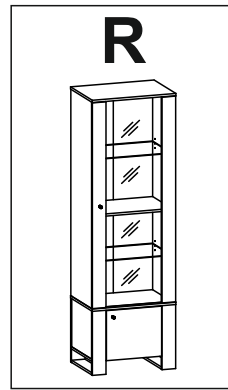
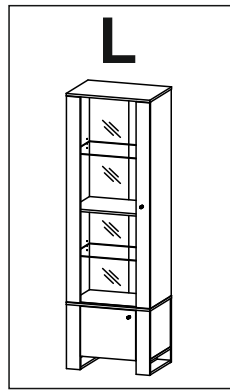


15

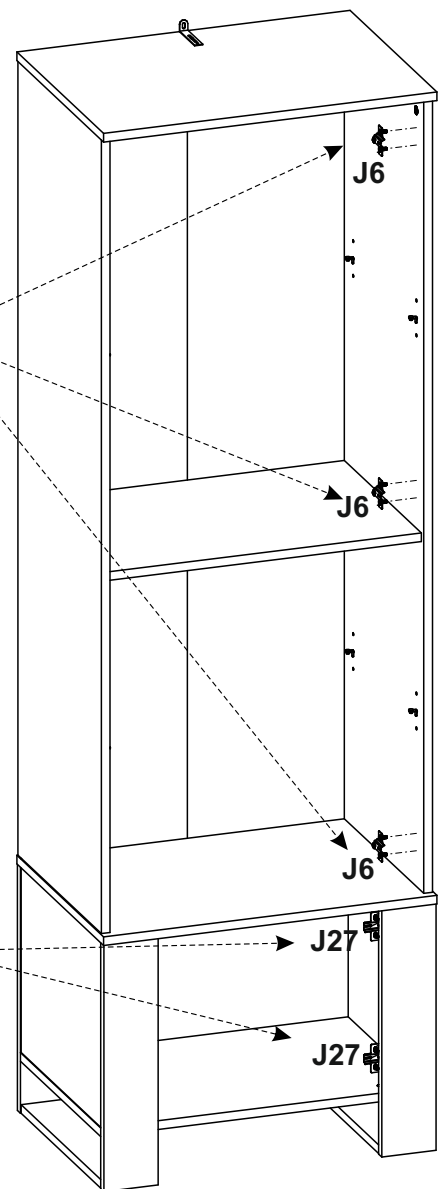
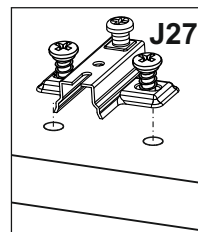
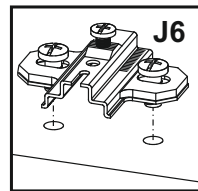
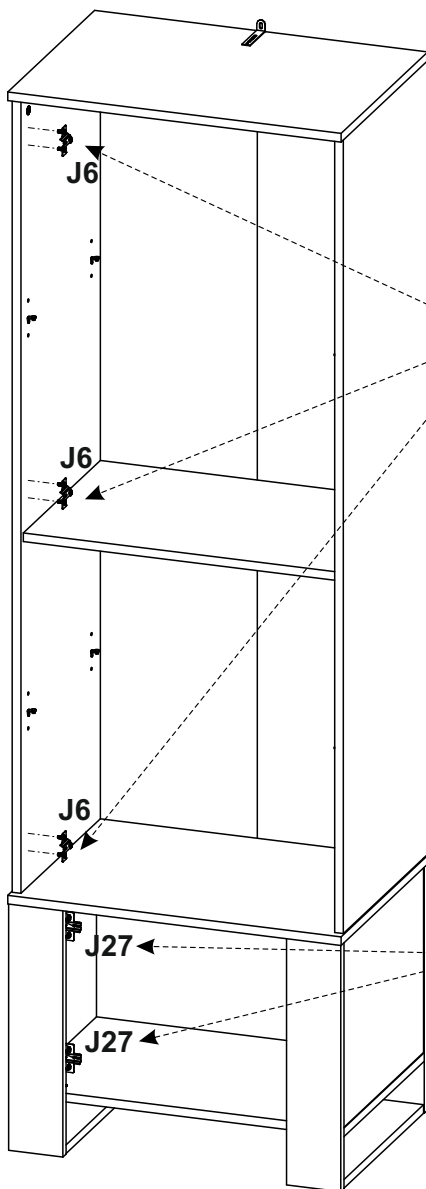


D0	E0	P0
3x15	8x50	
x2	x1	x1

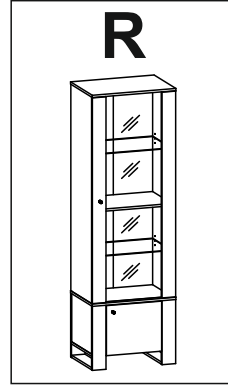
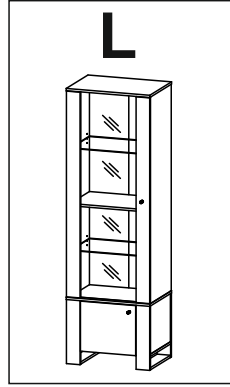
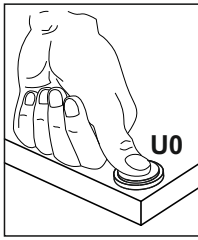
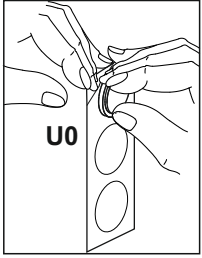







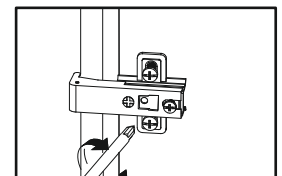
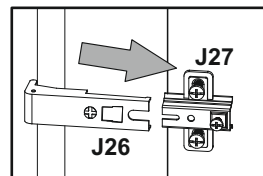
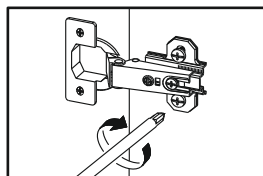
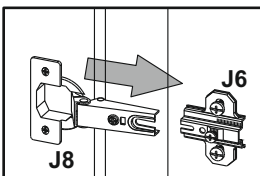
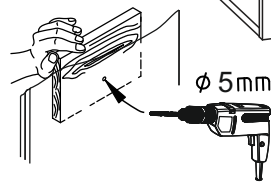
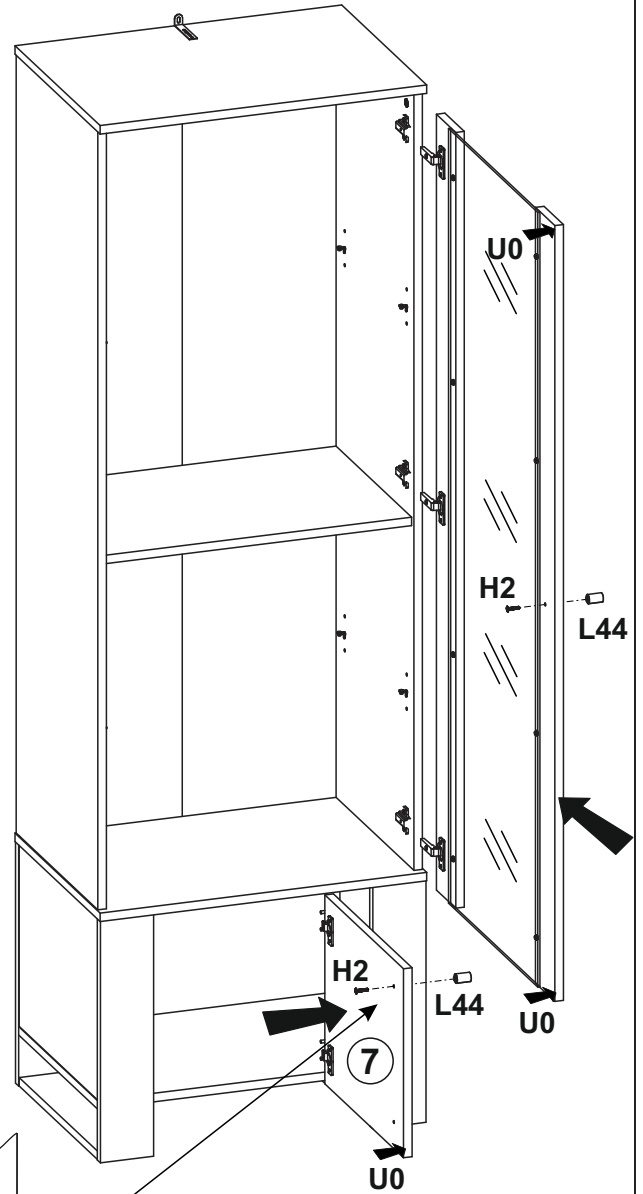
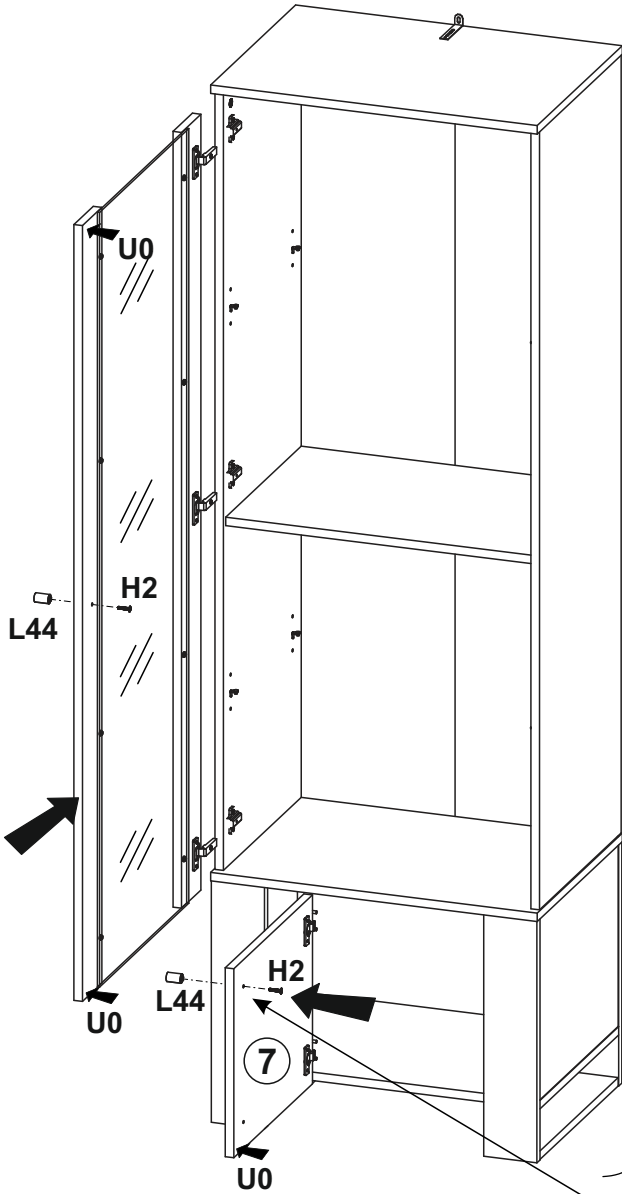
J6	J27
x3	H=4
	x2



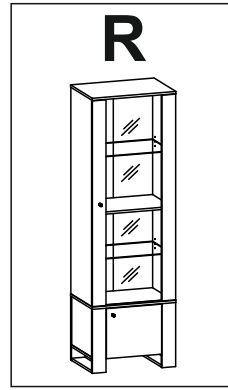
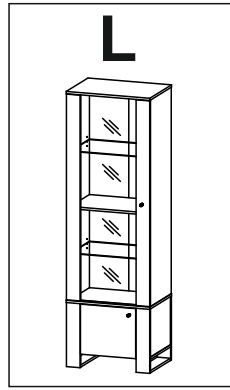
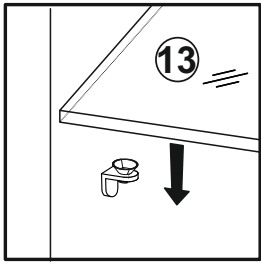
17



H2	L44	U0
		
4x22		
x2	x2	x3



18



C0	C0
x18	x2

