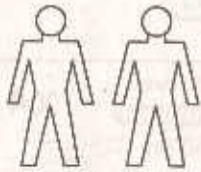


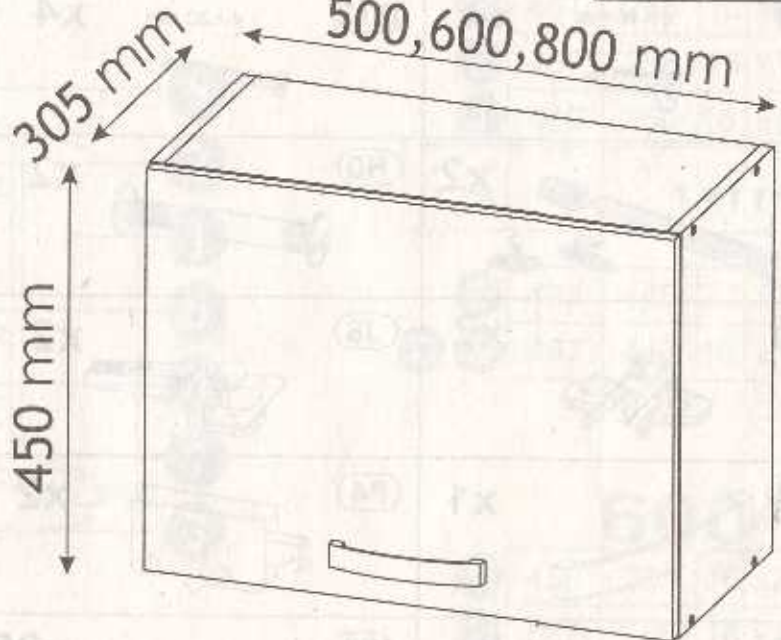
CHARLOTTE

50,60,80 UC / 450

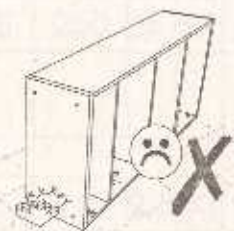
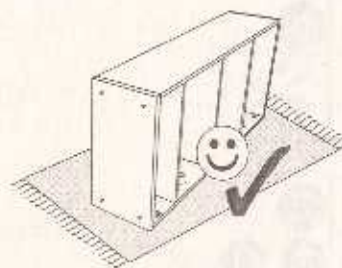
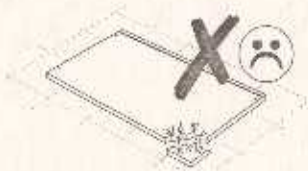
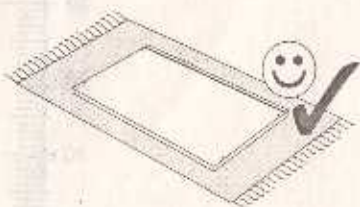
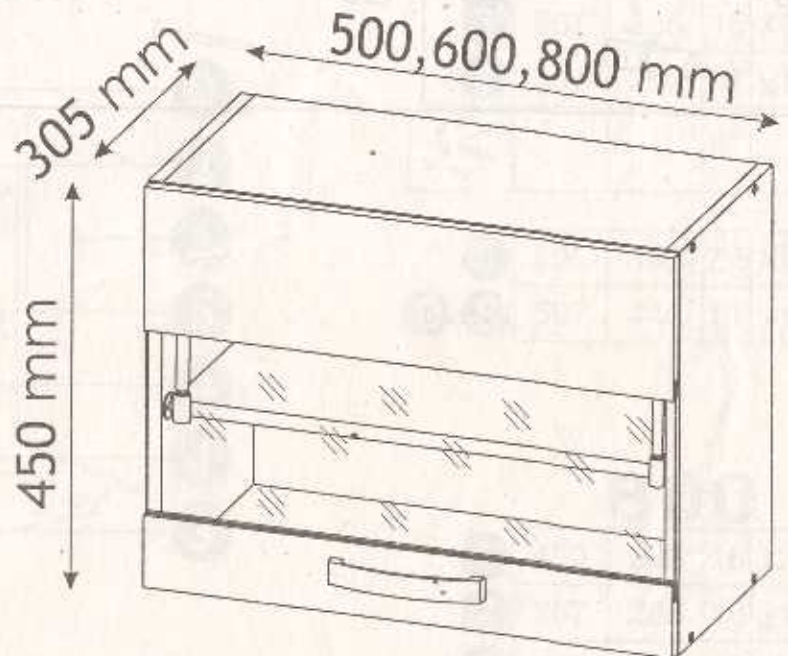
50,60,80 UDC / 450




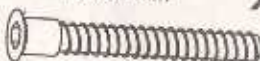



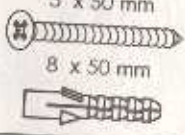

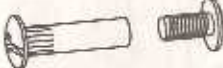



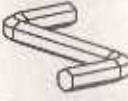

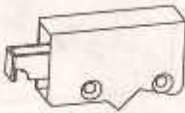


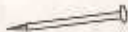
A

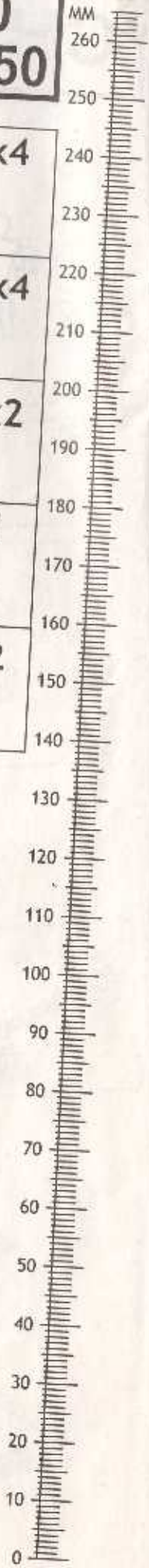


B



CHARLOTTE 50,60,80 UC / 450 50,60,80 UDC / 450

(A0) 8 x 32mm x4 	(B1) f 7 x 50 mm x8 	(B0) x4 
(D10) 4 x 16 mm x4 	(D13) 4 x 30 mm x4 	(E0) 5 x 50 mm 8 x 50 mm x4 
(F1) x2 	(H0) x2 	(H2) 4 x 22 mm x2 
(J6) x2 	(J8) x2 	(K) 4mm x1 
(L22) x1 	(P4) x2 	(P5) x2 
(Q0) x4 	(T8) x25 	




CHARLOTTE

50,60,80 UC / 450


50,60,80 UDC / 450

500

①	450	285	16 x2	1/1
②	467	285	16 x1	1/1
③	467	285	16 x1	1/1
④	466	250	16 x1	1/1
				1/1


⑤	495	445	2.5 x1	1/1
D S	497	446	16 x1	1/1

600

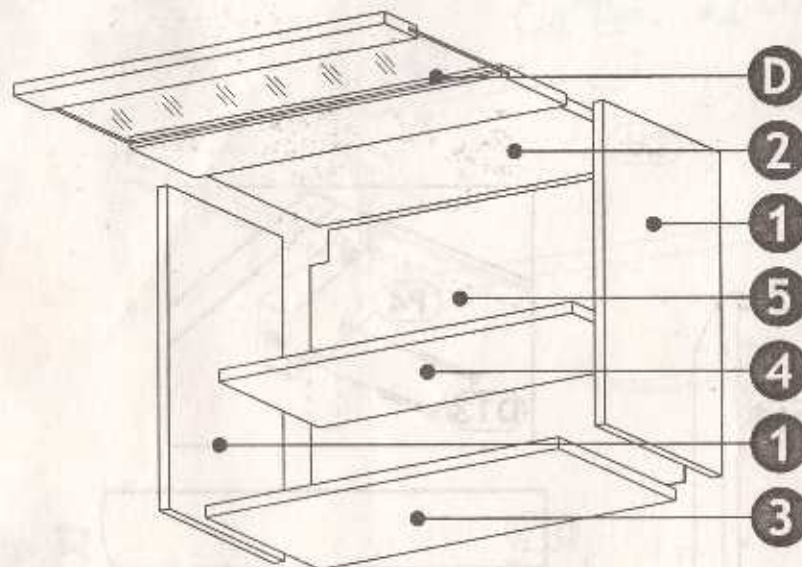
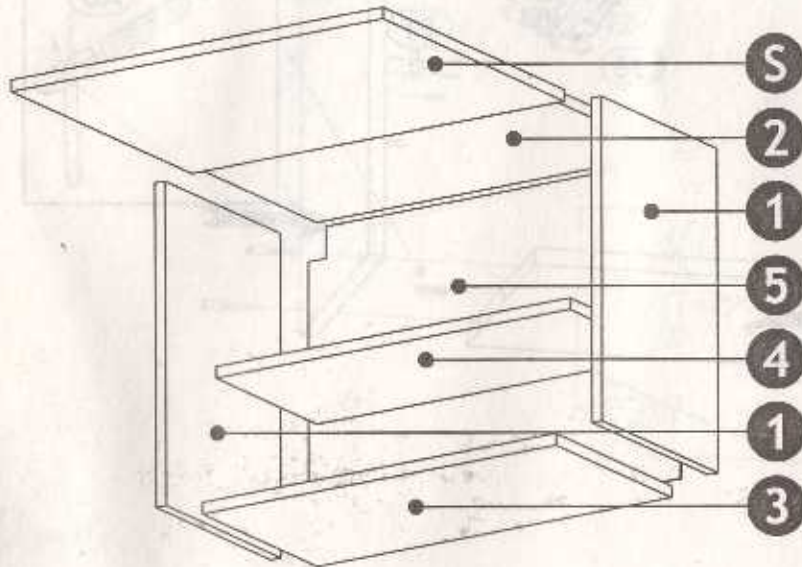
①	450	285	16 x2	1/1
②	567	285	16 x1	1/1
③	567	285	16 x1	1/1
④	566	250	16 x1	1/1
				1/1

⑤	595	445	2.5 x1	1/1
D S	597	446	16 x1	1/1

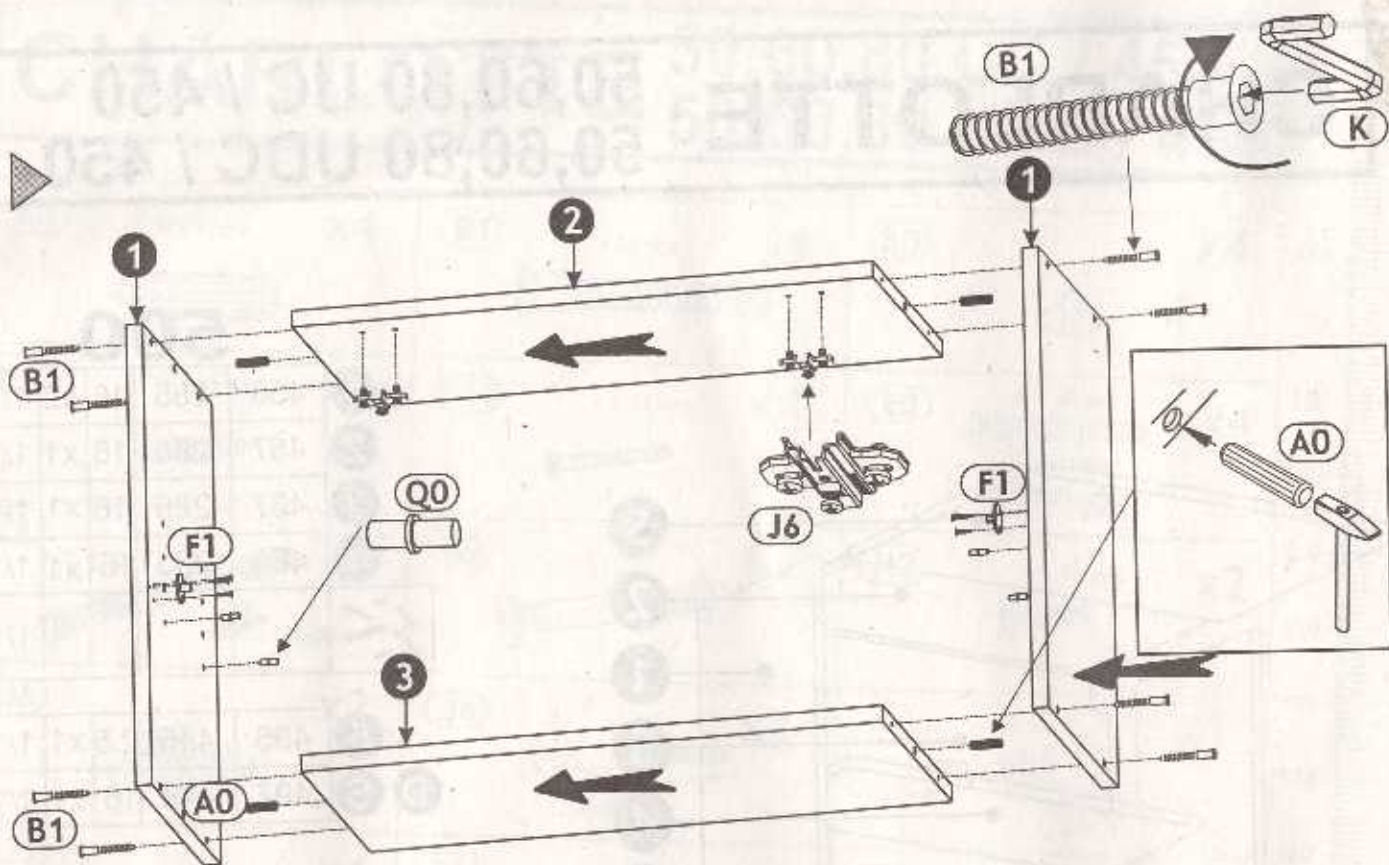
800

①	450	285	16 x2	1/1
②	767	285	16 x1	1/1
③	767	285	16 x1	1/1
④	766	250	16 x1	1/1
				1/1

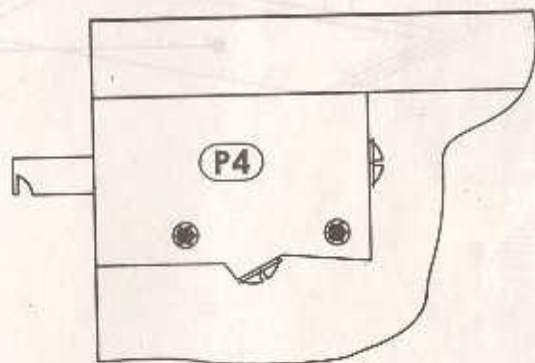
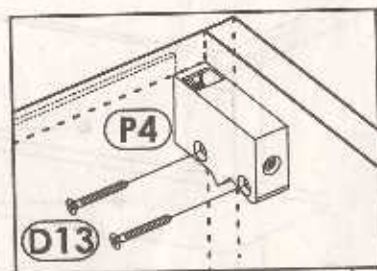
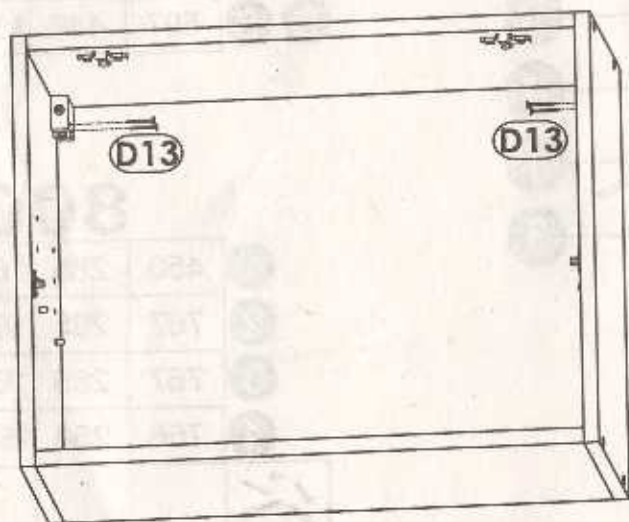
⑤	795	445	2.5 x1	1/1
D S	797	446	16 x1	1/1

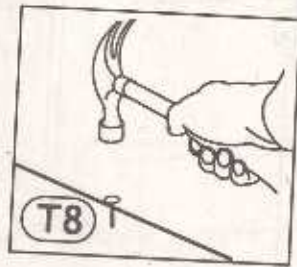
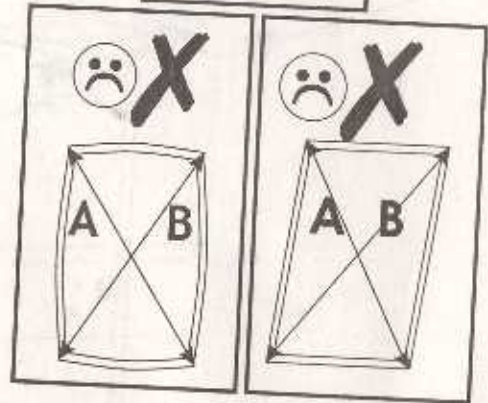
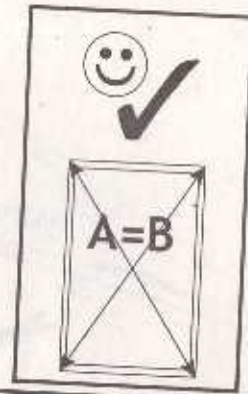
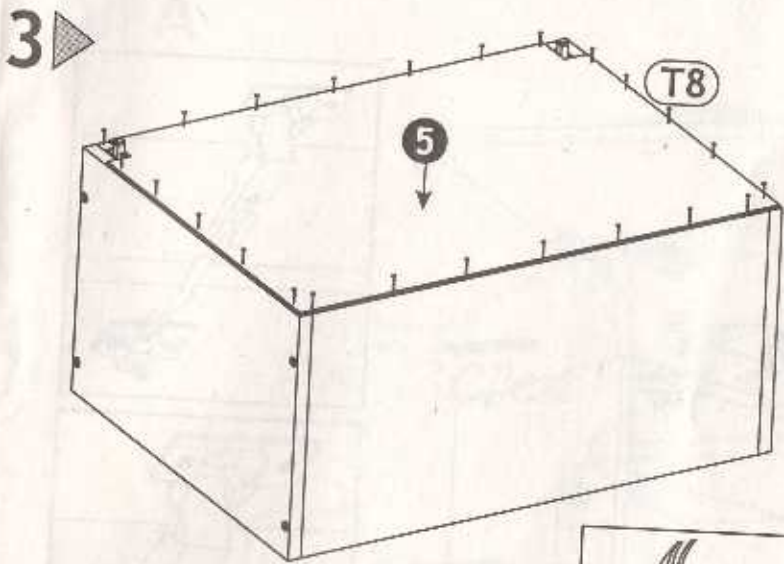


1 ▶

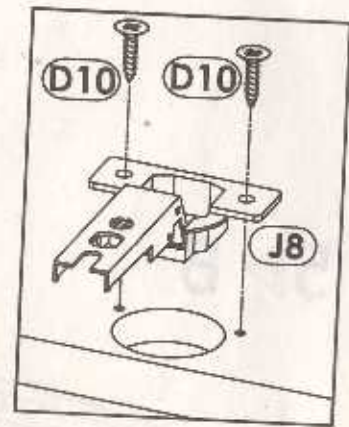
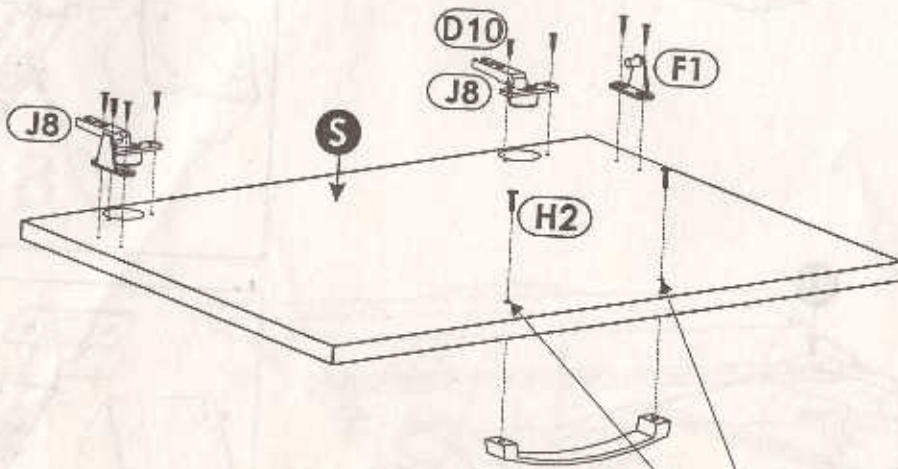


2 ▶

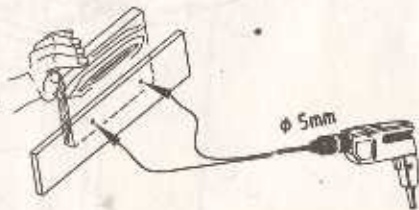
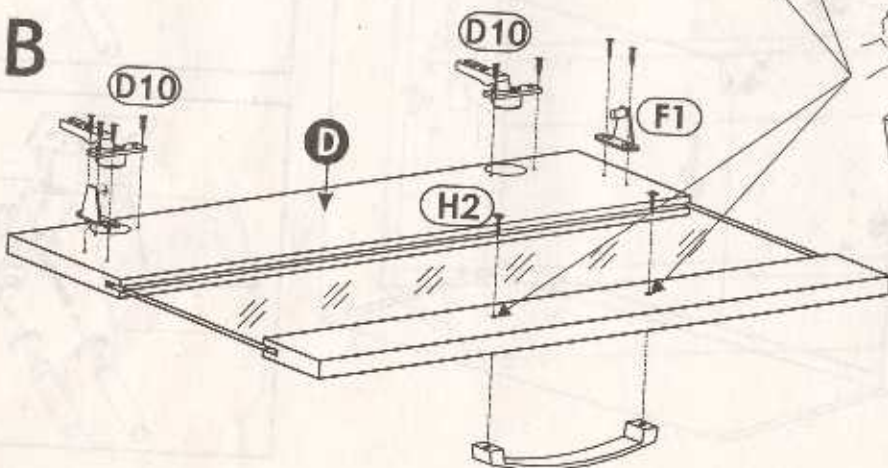




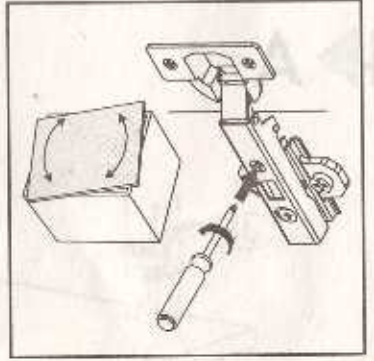
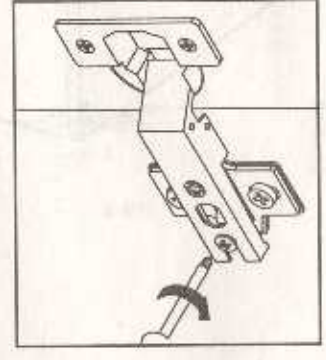
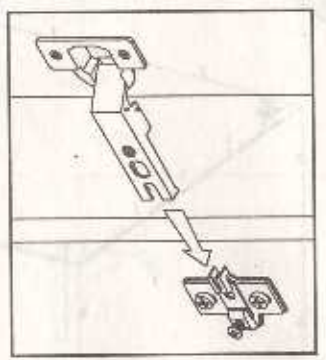
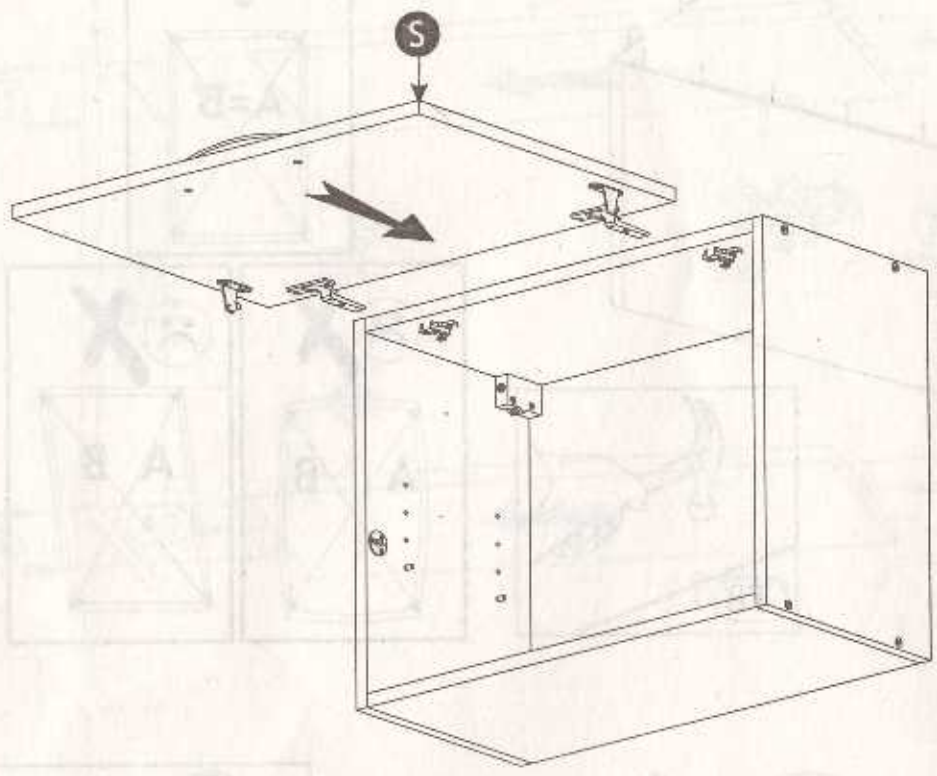
A ▶



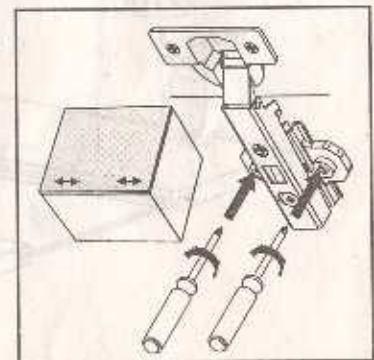
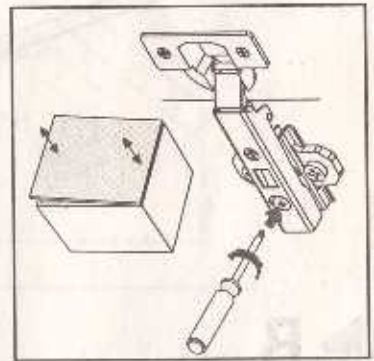
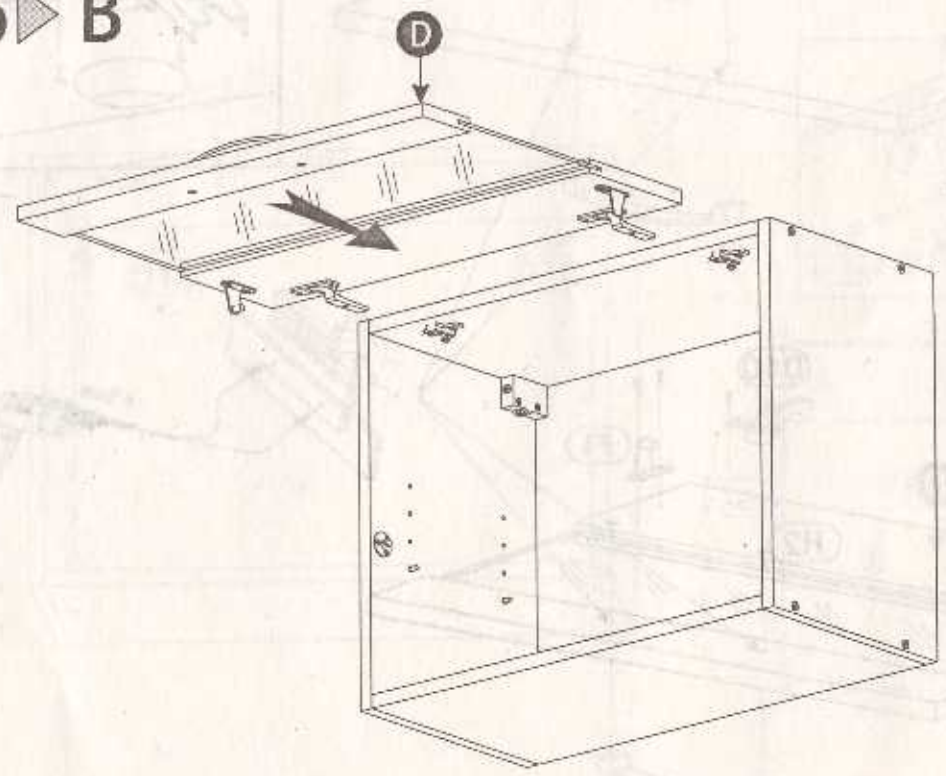
B ▶



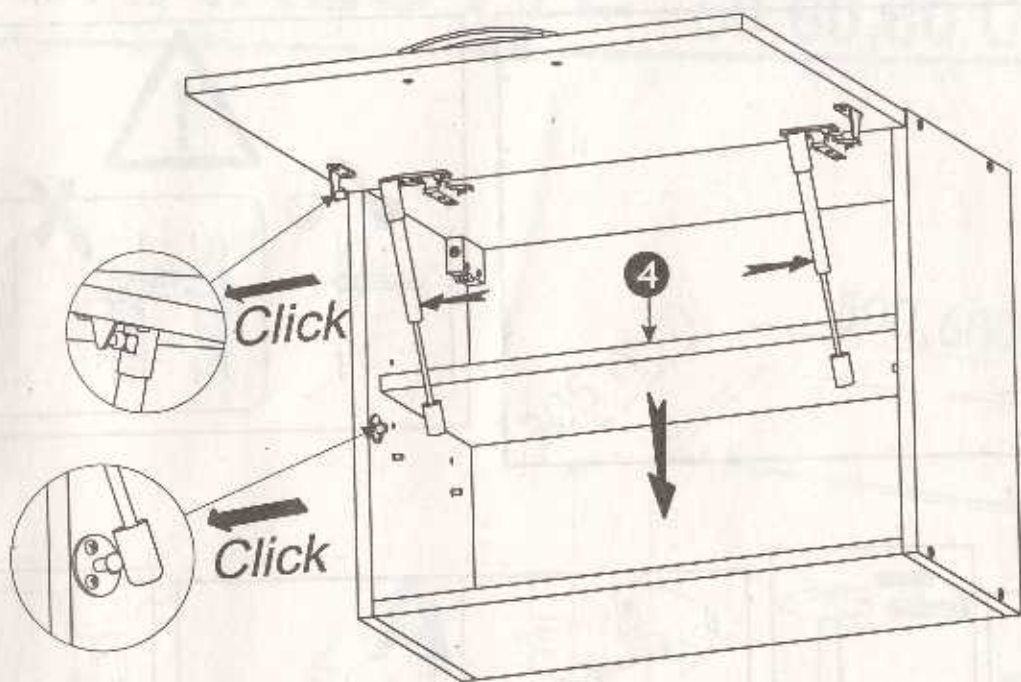
5 ▶ A



5 ▶ B



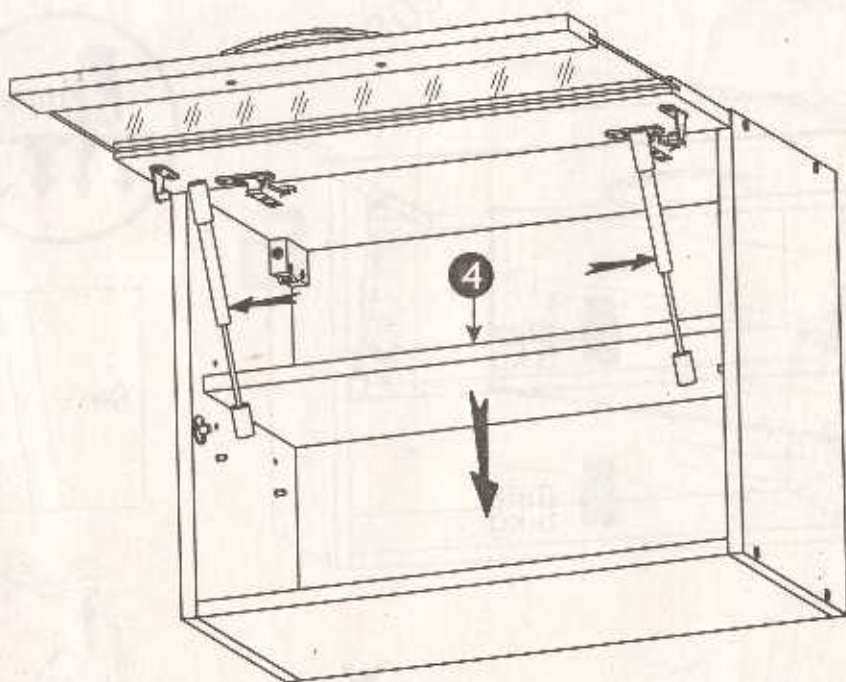
A



0

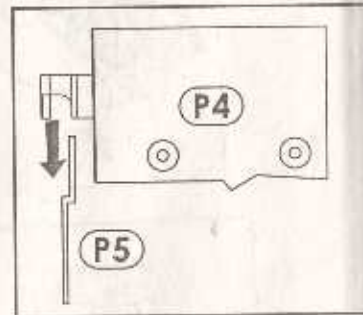
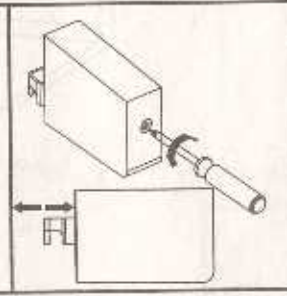
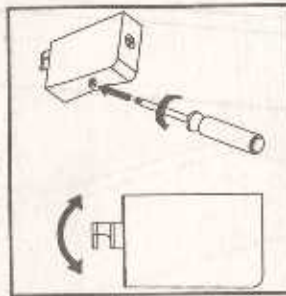
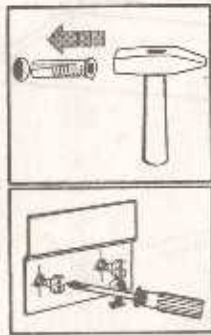
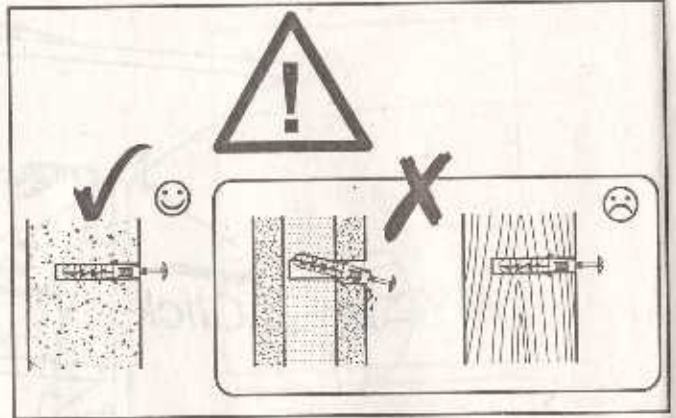
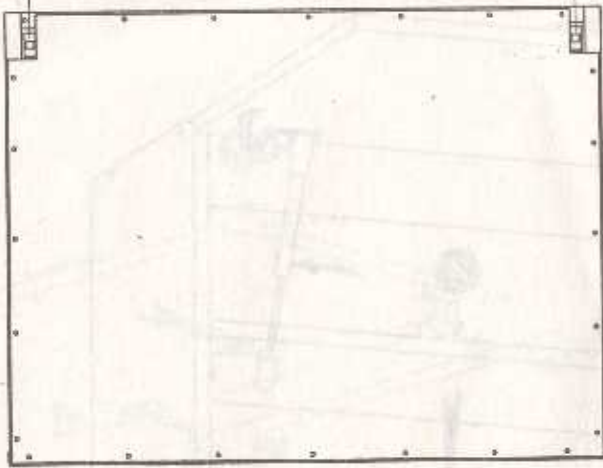
30
MIN

B



7

450/550/750



8

