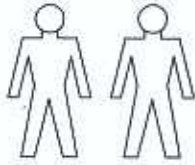
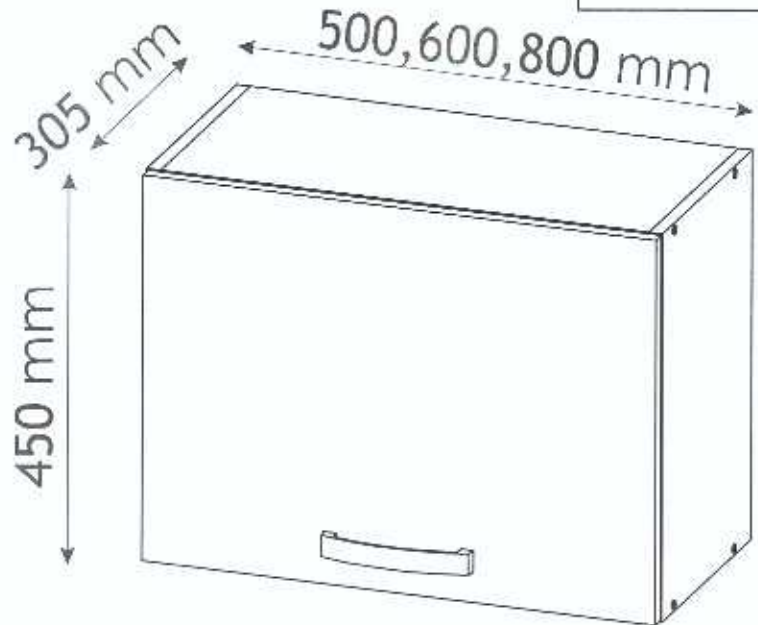


CHARLOTTE

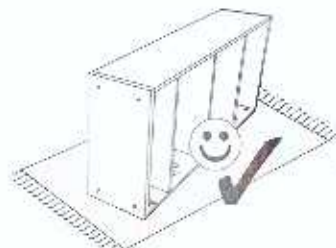
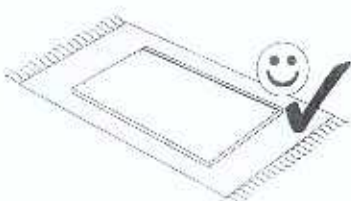
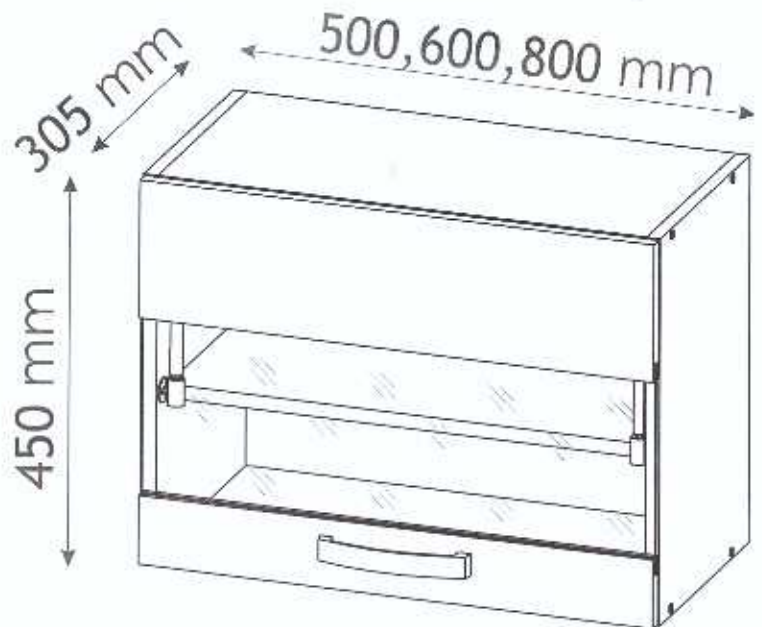
50,60,80 UC / 450
50,60,80 UDC / 450




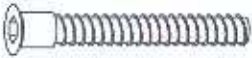


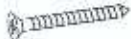
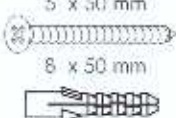





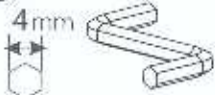

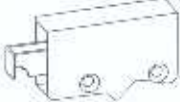



A

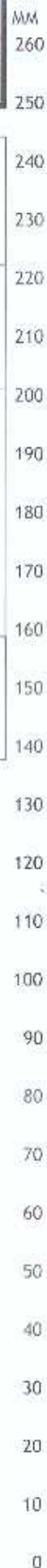


B



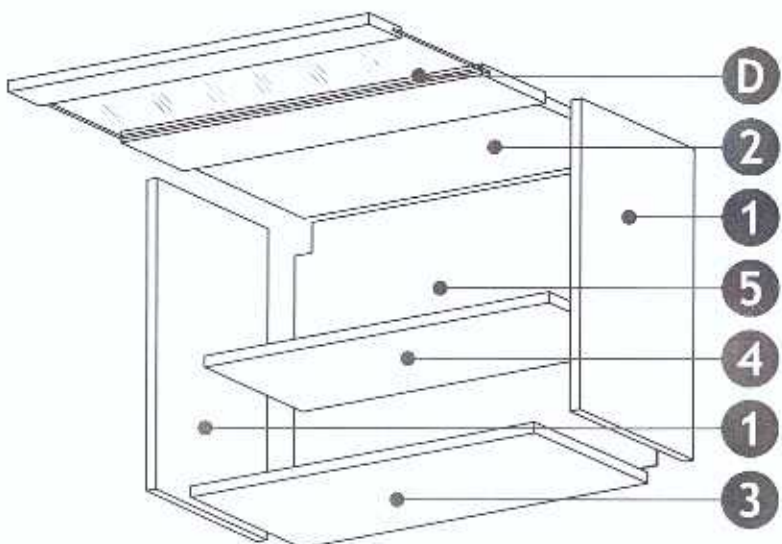
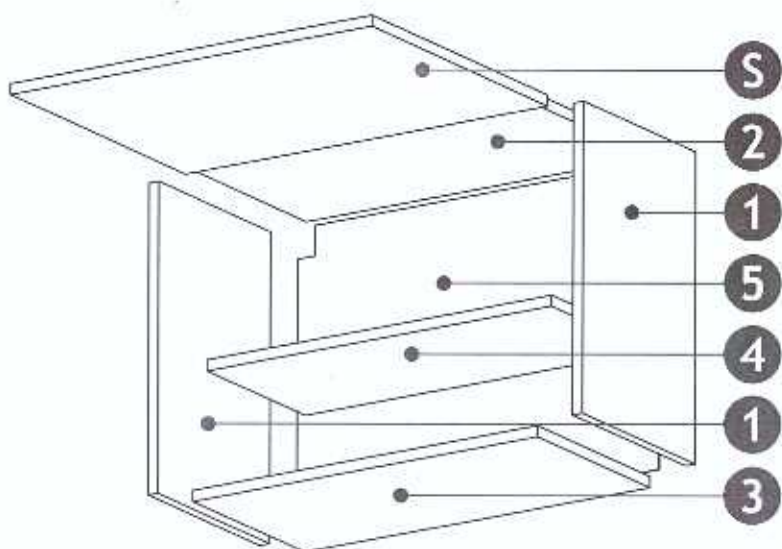
CHARLOTTE 50,60,80 UC / 450 50,60,80 UDC / 450

A0 8 x 32mm x4 	B1 f7 x 50 mm x8 	B0 x4 
D10 4 x 16 mm x4 	D13 4 x 30 mm x4 	E0 5 x 50 mm x4 8 x 50 mm 
F1 x2 	H0 x2 	H2 4 x 22 mm x2 
J6 x2 	J8 x2 	K x1 4mm 
L22 x1 	P4 x2 	P5 x2 
Q0 x4 	T8 x25 	



CHARLOTTE

50,60,80 UC / 450
50,60,80 UDC / 450



500

①	450	285	16 x2	1/1
②	467	285	16 x1	1/1
③	467	285	16 x1	1/1
④	466	250	16 x1	1/1
				1/1

⑤	495	445	2.5 x1	1/1
D S	497	446	16 x1	1/1

600

①	450	285	16 x2	1/1
②	567	285	16 x1	1/1
③	567	285	16 x1	1/1
④	566	250	16 x1	1/1
				1/1

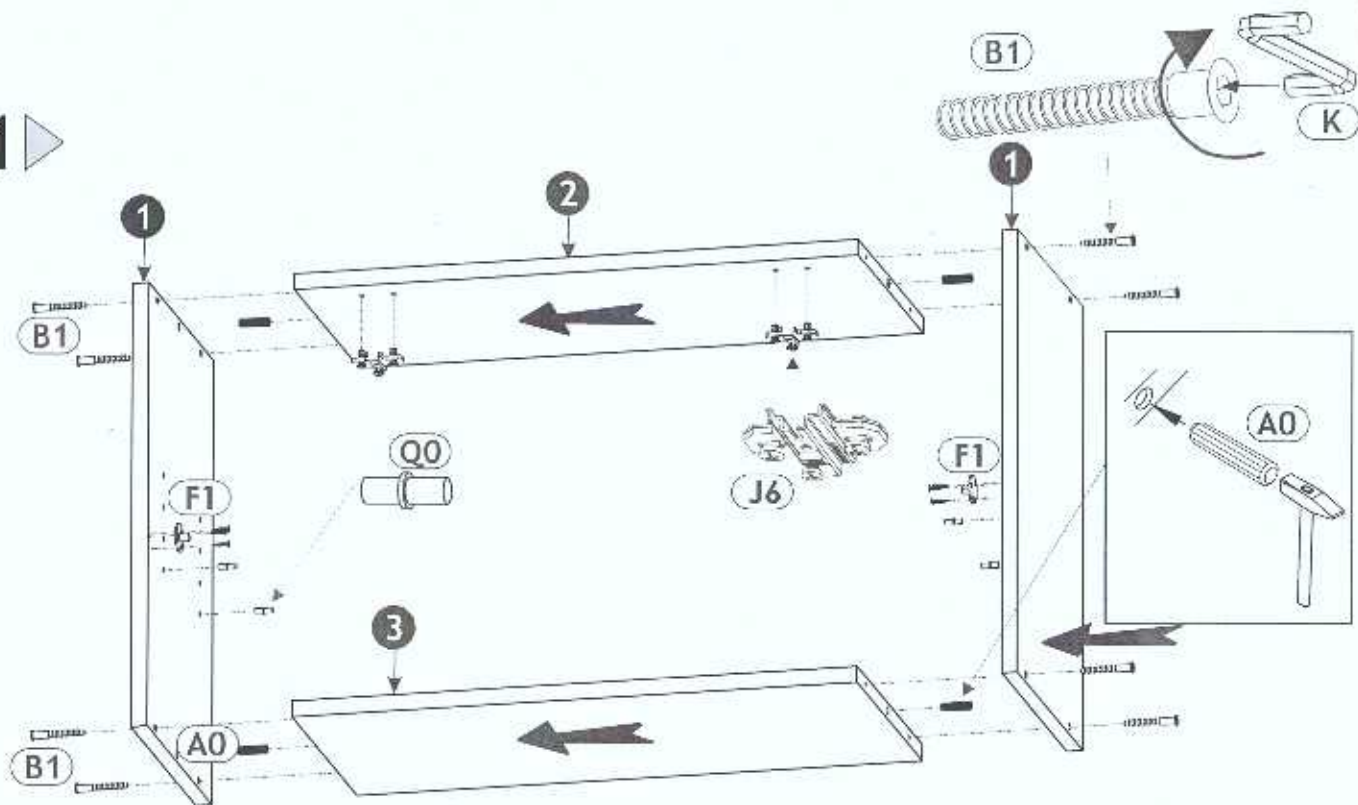
⑤	595	445	2.5 x1	1/1
D S	597	446	16 x1	1/1

800

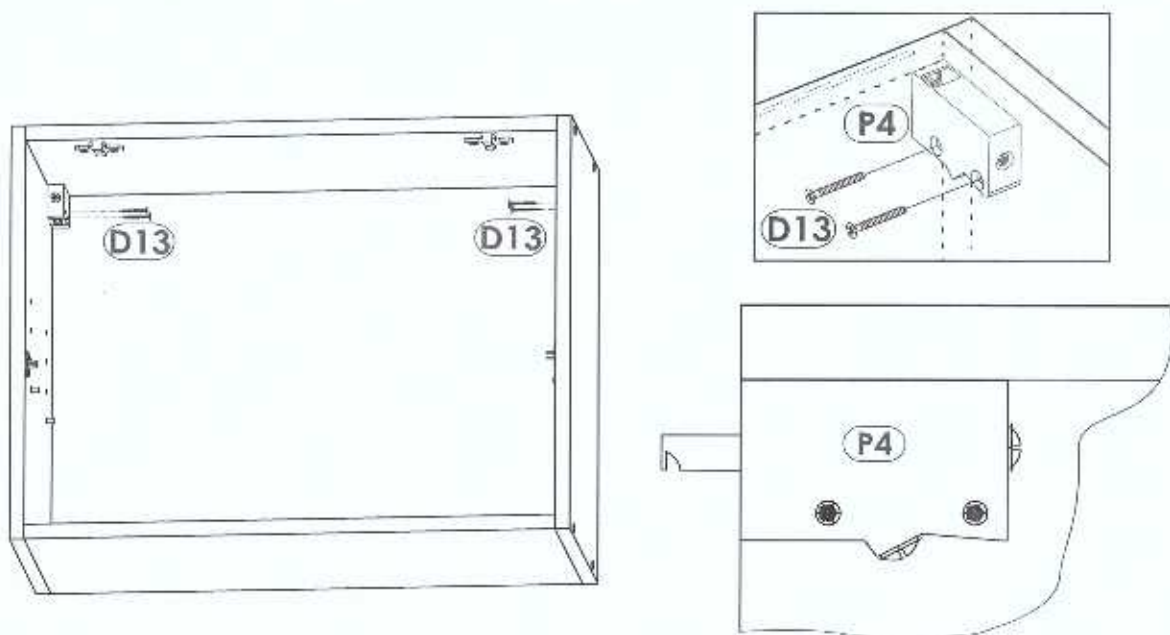
①	450	285	16 x2	1/1
②	767	285	16 x1	1/1
③	767	285	16 x1	1/1
④	766	250	16 x1	1/1
				1/1

⑤	795	445	2.5 x1	1/1
D S	797	446	16 x1	1/1

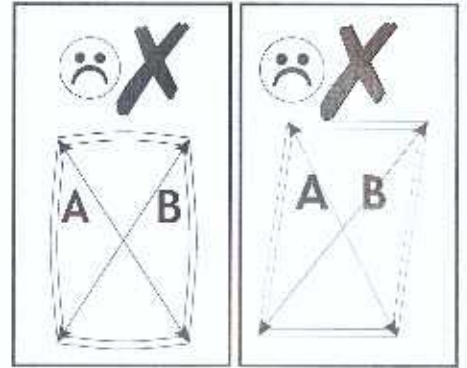
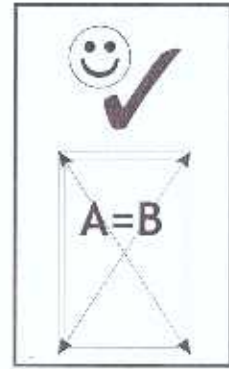
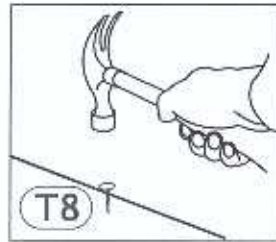
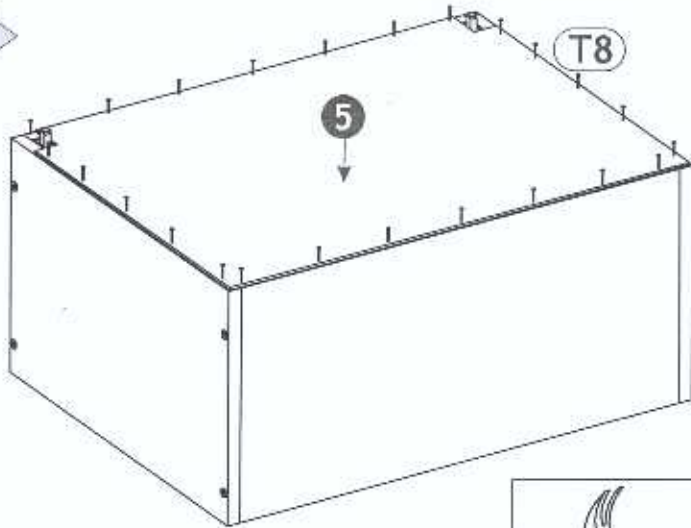
1 ▶



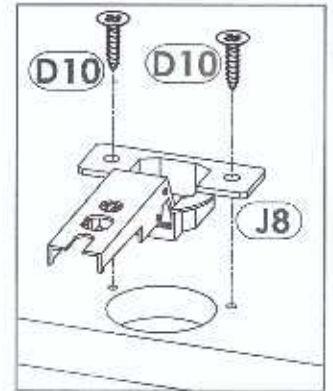
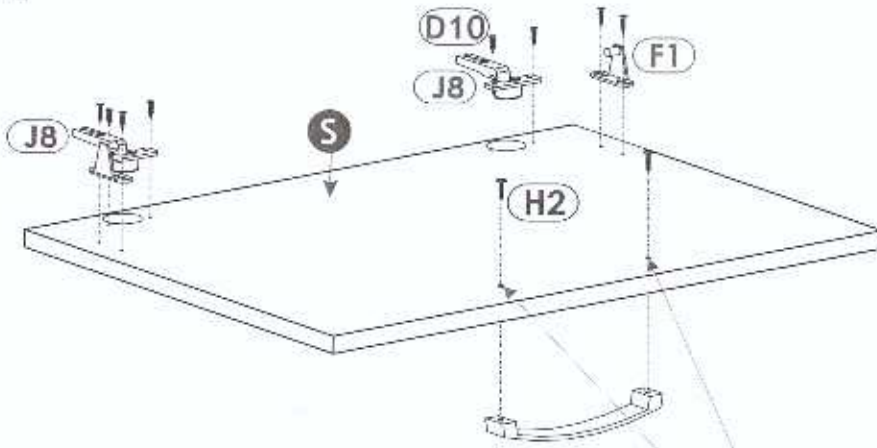
2 ▶



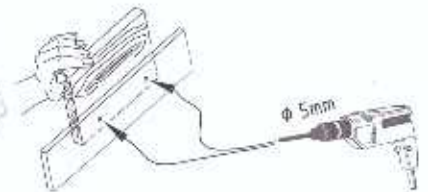
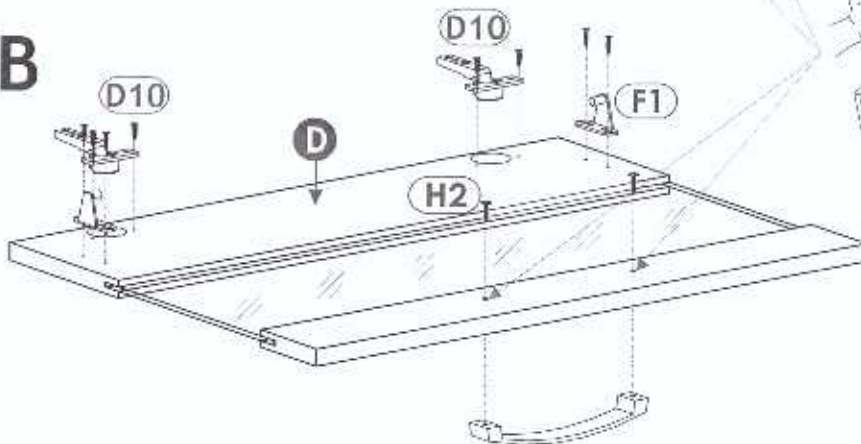
3 ▶



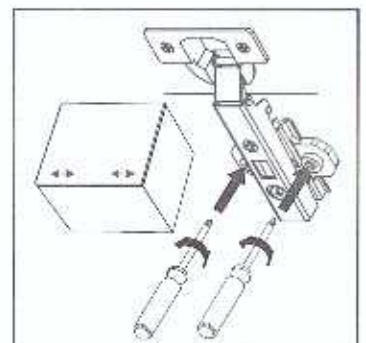
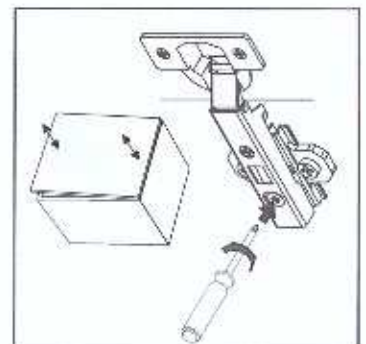
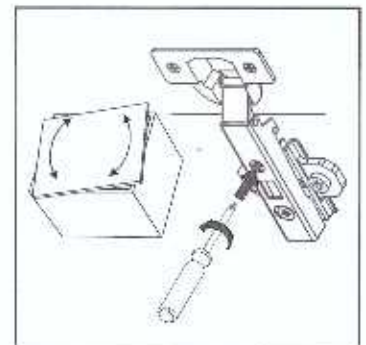
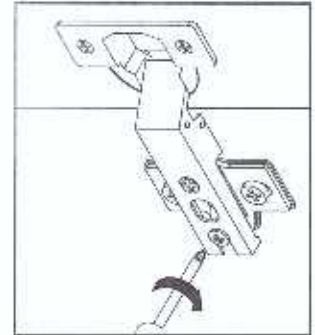
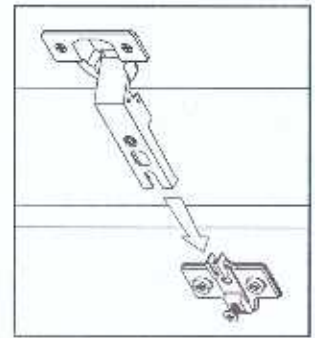
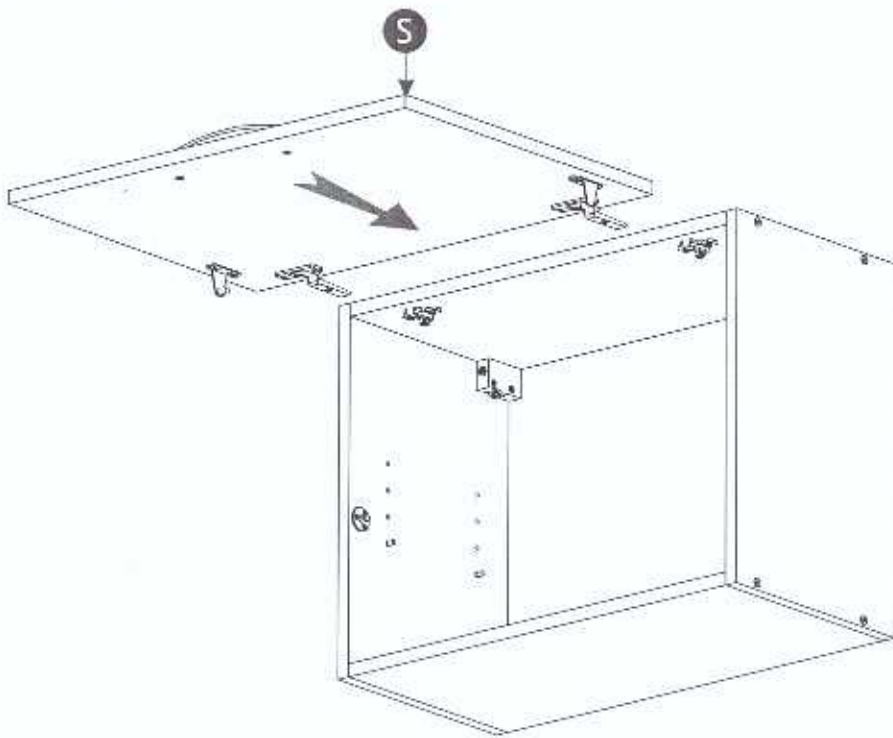
4 ▶ A



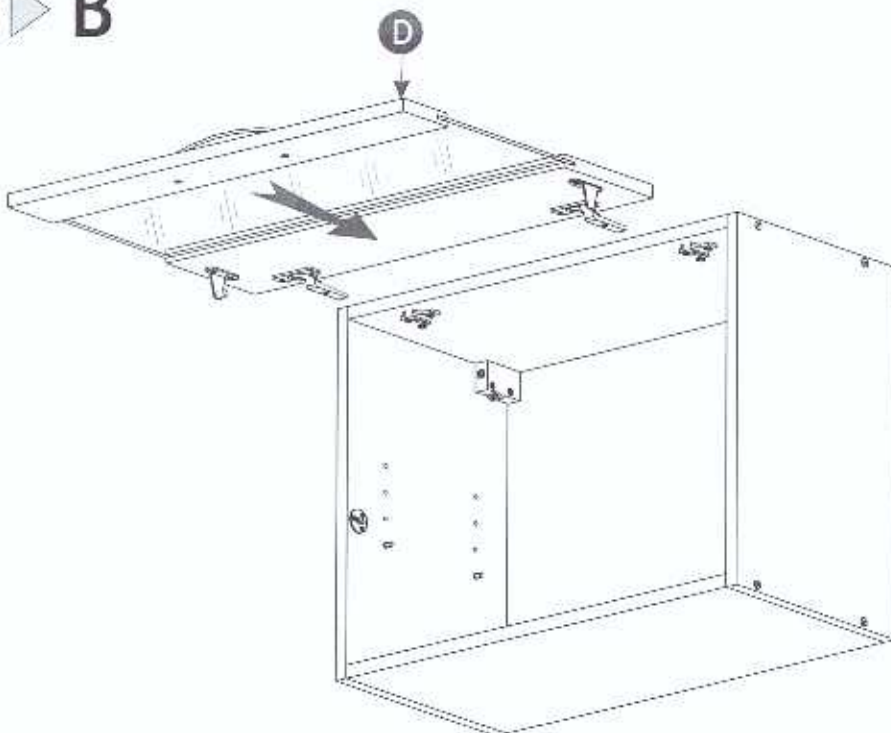
4 ▶ B



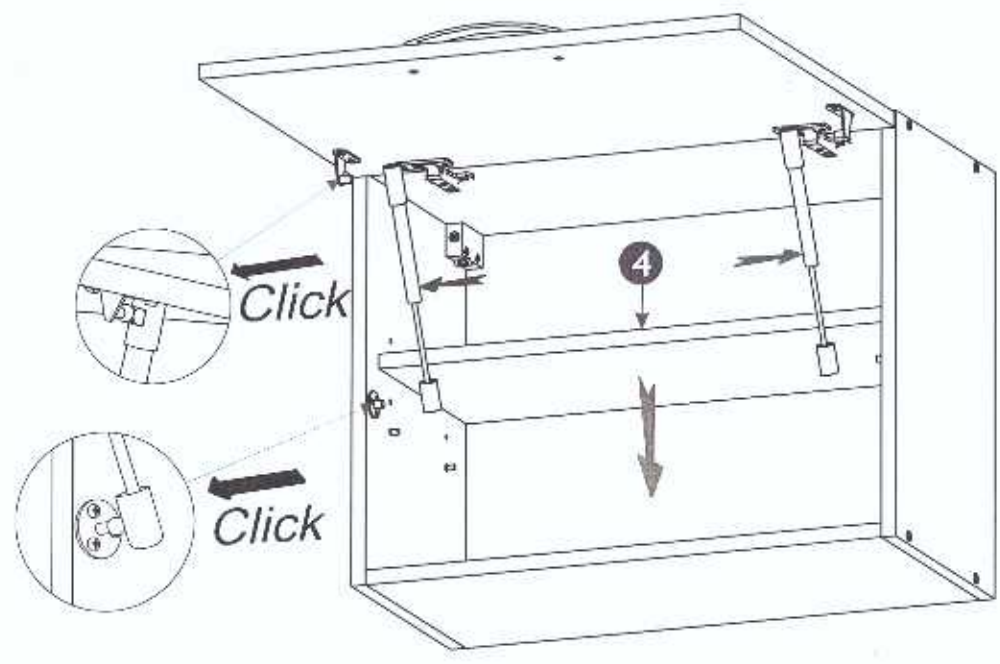
5 ▶ A



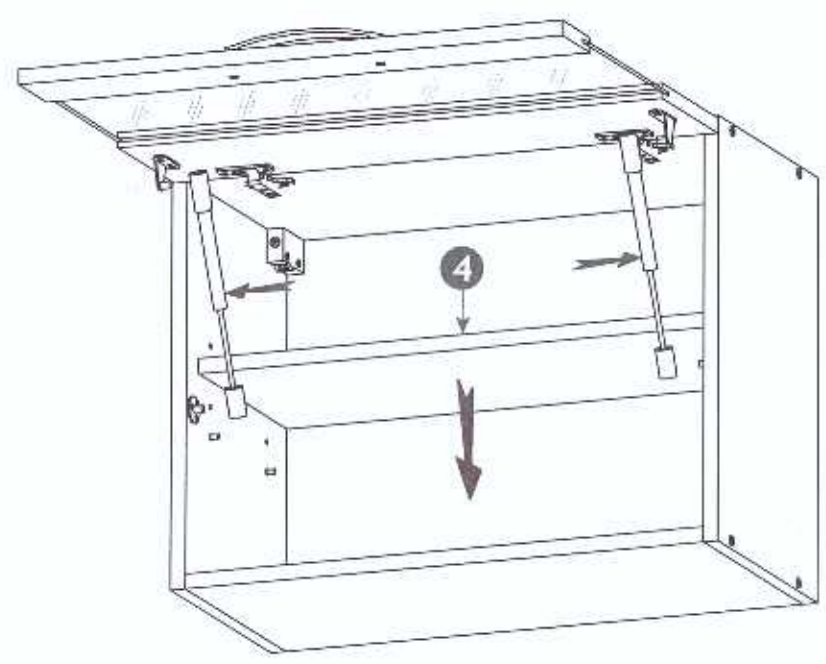
5 ▶ B



6▶ A

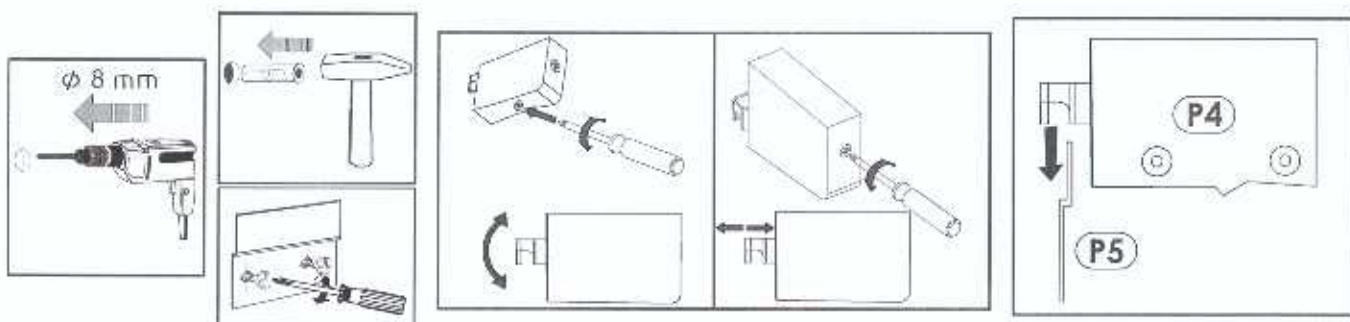
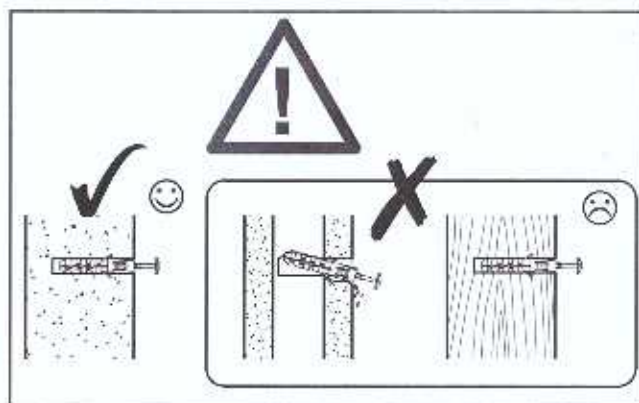
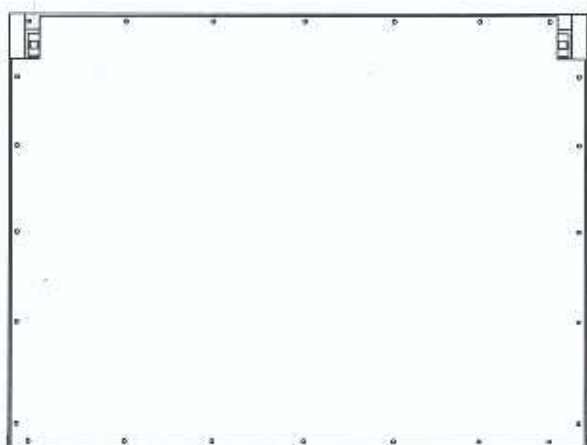


6▶ B

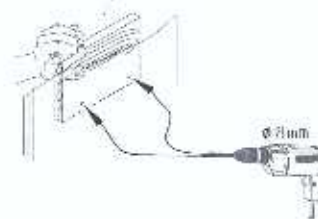
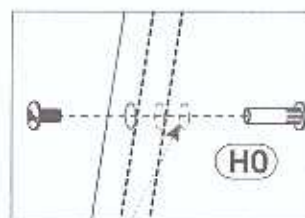
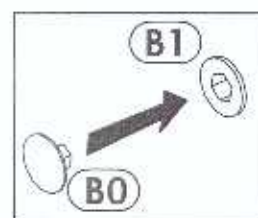


7 ▶

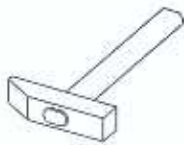
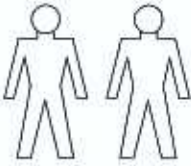
450/550/750



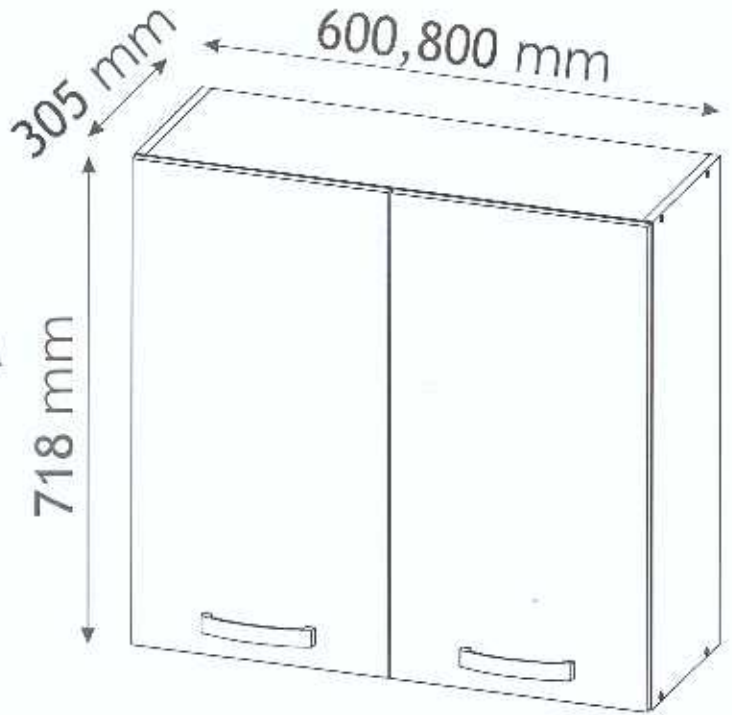
8 ▶



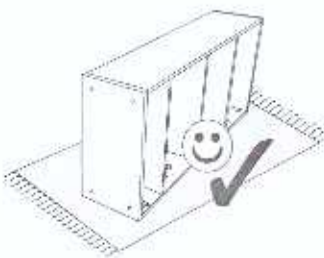
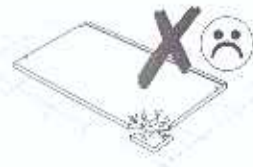
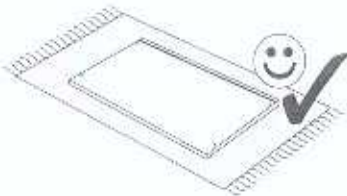
CHARLOTTE 60,80 UC 60,80 UDC




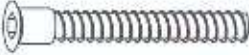

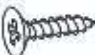
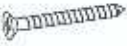
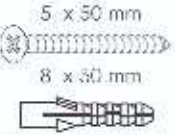










A



B



CHARLOTTE 60,80 UC 60,80 UDC

(A0) 8 x 32mm x4 	(B1) f7 x 50 mm x8 	(B0)  x4
(D10) 4 x 16 mm x8 	(D13) 4 x 30 mm x4 	(E0) 5 x 50 mm 8 x 30 mm  x4
(H0)  x2	(J6)  x4	(J8)  x4
(K) 4mm  x1	(L22)  x2	(P4)  x2
(P5)  x2	(Q0)  x4	(R5)  L- 685mm. x1
(T8)  x40		

60,80 UC

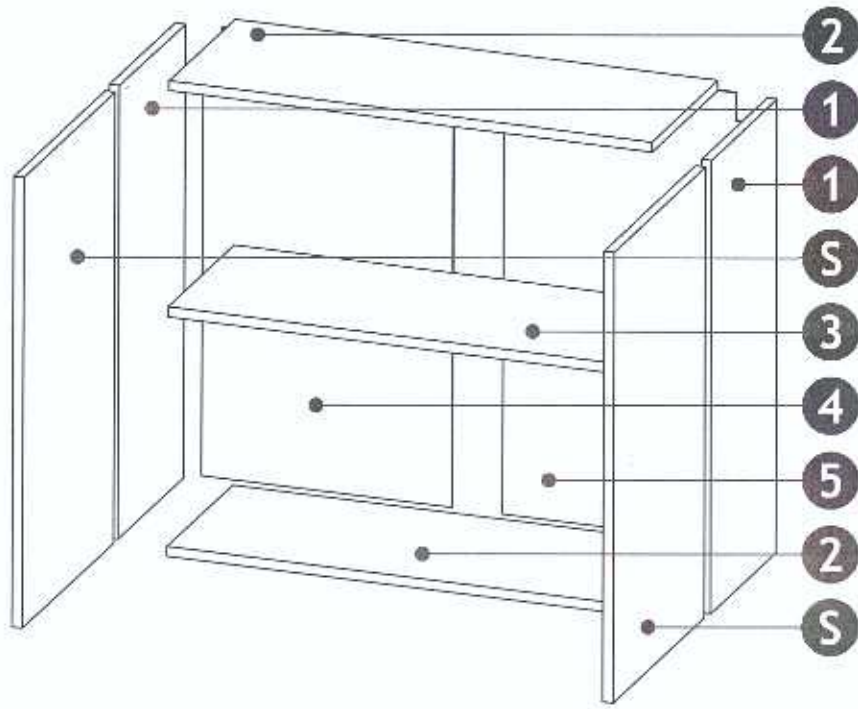
(H2) 4 x 22 mm x4 
--

60,80 UDC

(H7) 4 x 10 mm x4 	(U1)  x4
(U3)  x4	

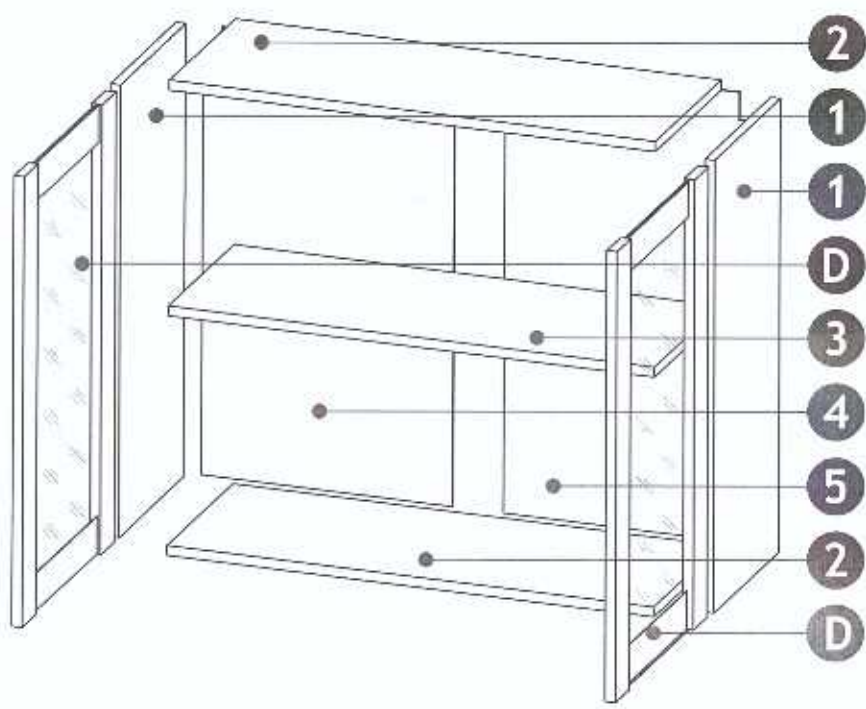


CHARLOTTE 60,80 UC 60,80 UDC



600

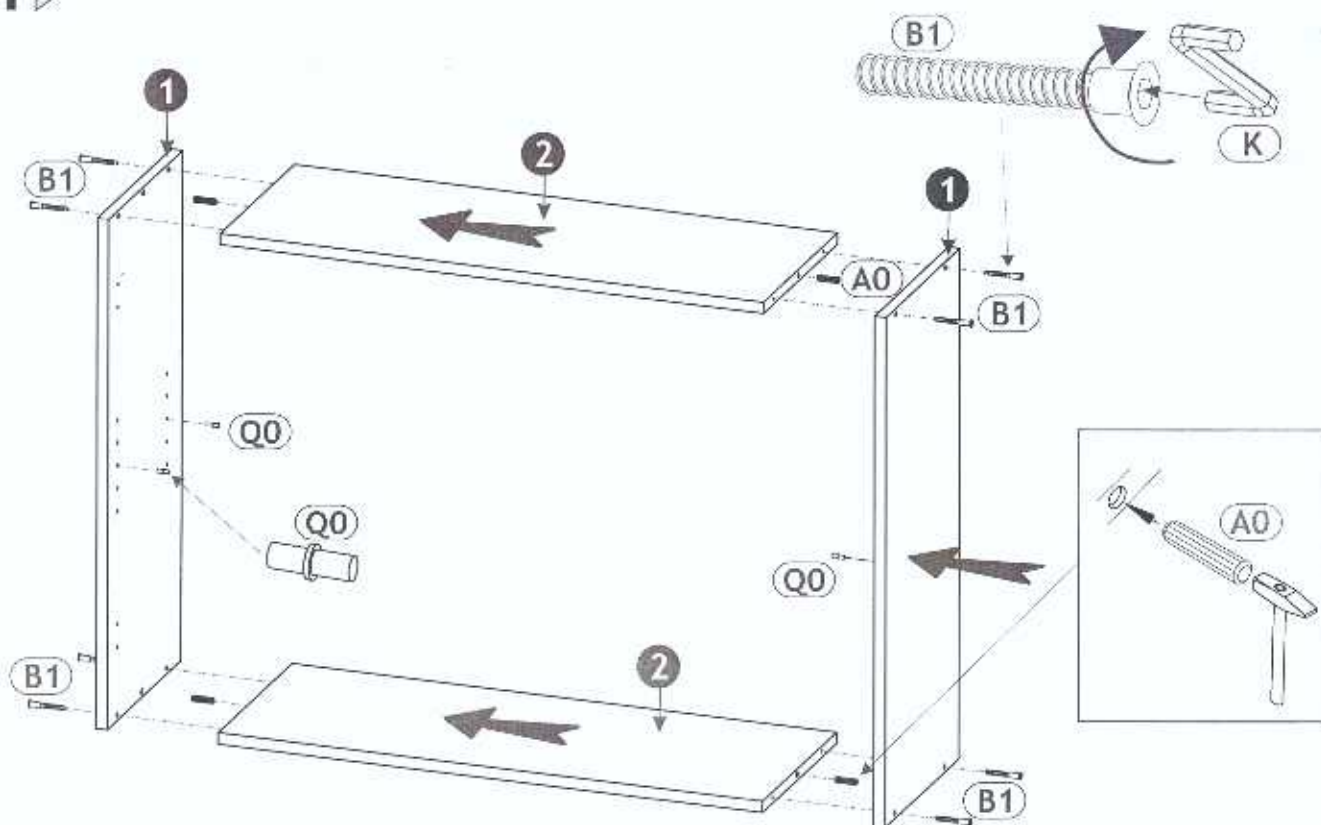
1	718	285	16 x2	1/1
2	567	285	16 x2	1/1
3	566	280	16 x1	1/1
				1/1
4	713	297	2.5 x1	1/1
5	713	297	2.5 x1	1/1
D S	714	297	16 x2	1/1



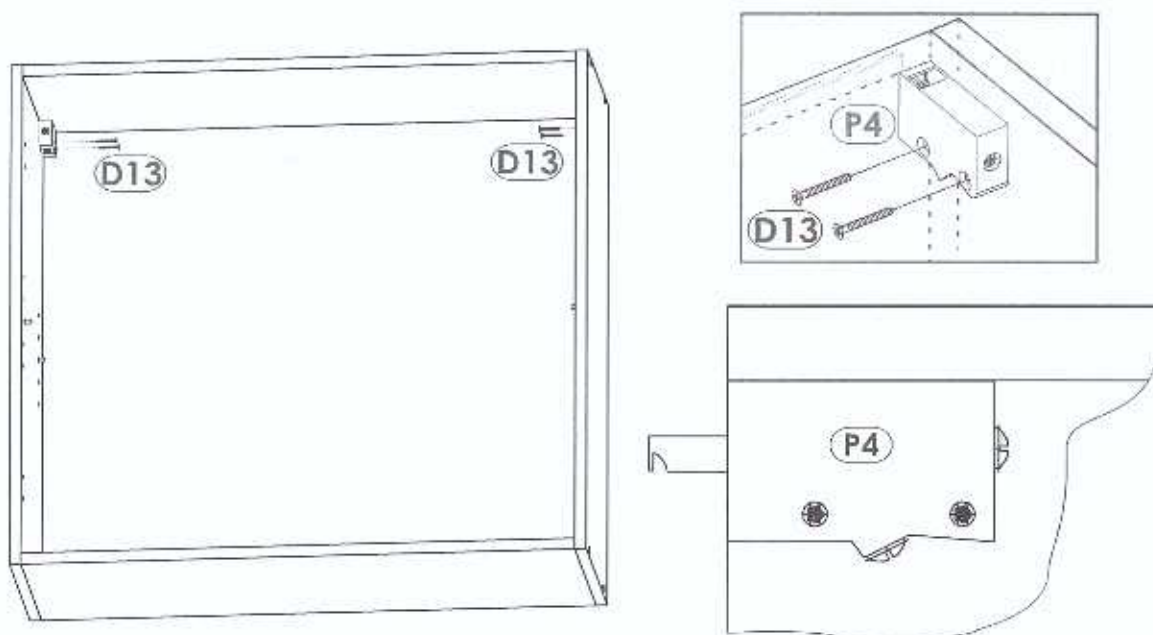
800

1	718	285	16 x2	1/1
2	767	285	16 x2	1/1
3	766	280	16 x1	1/1
				1/1
4	713	397	2.5 x1	1/1
5	713	397	2.5 x1	1/1
D S	714	397	16 x2	1/1

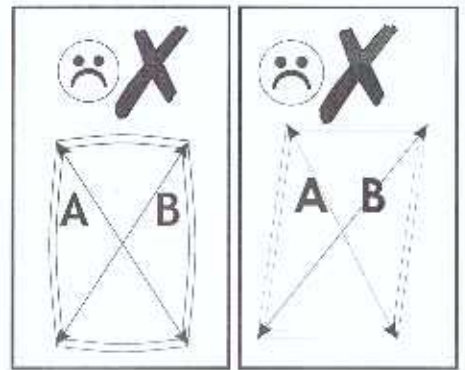
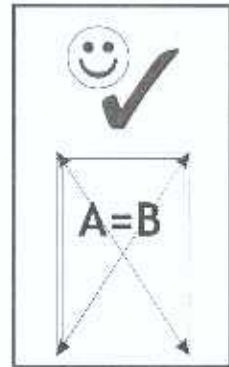
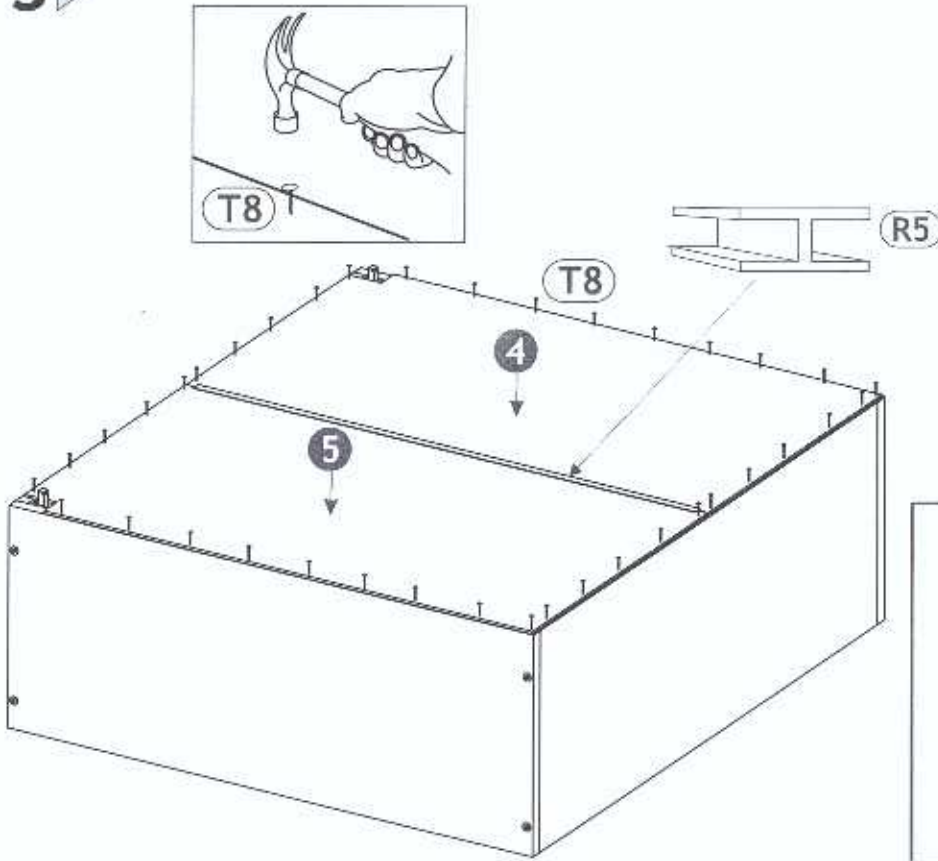
1 ▶



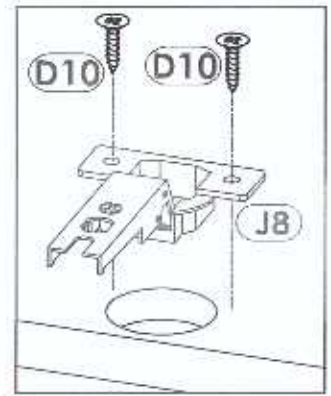
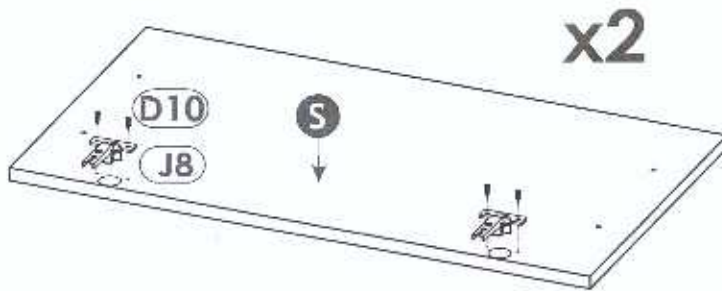
2 ▶



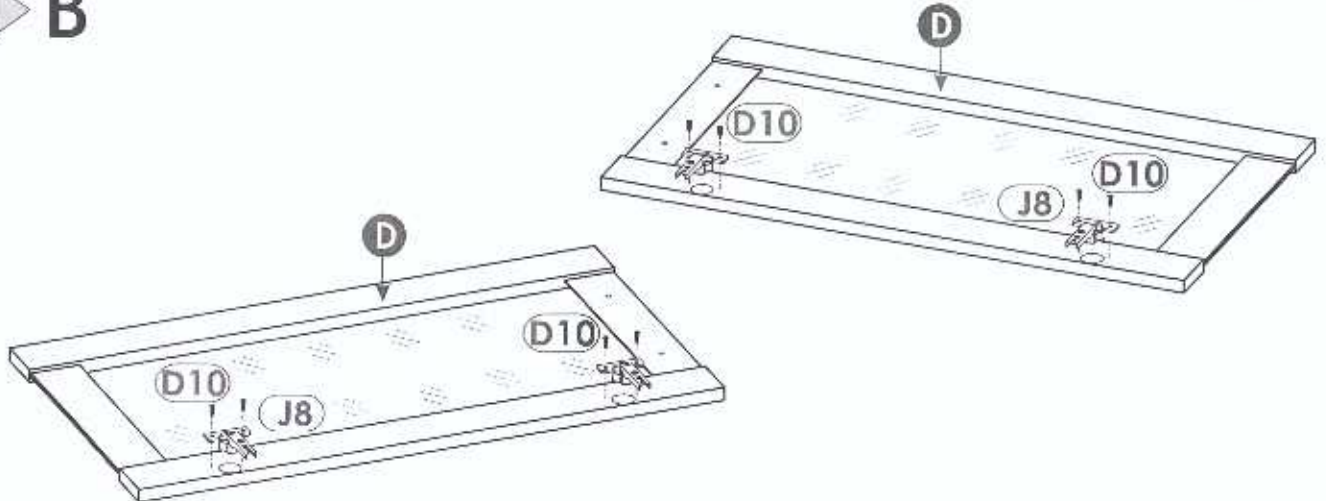
3 ▶



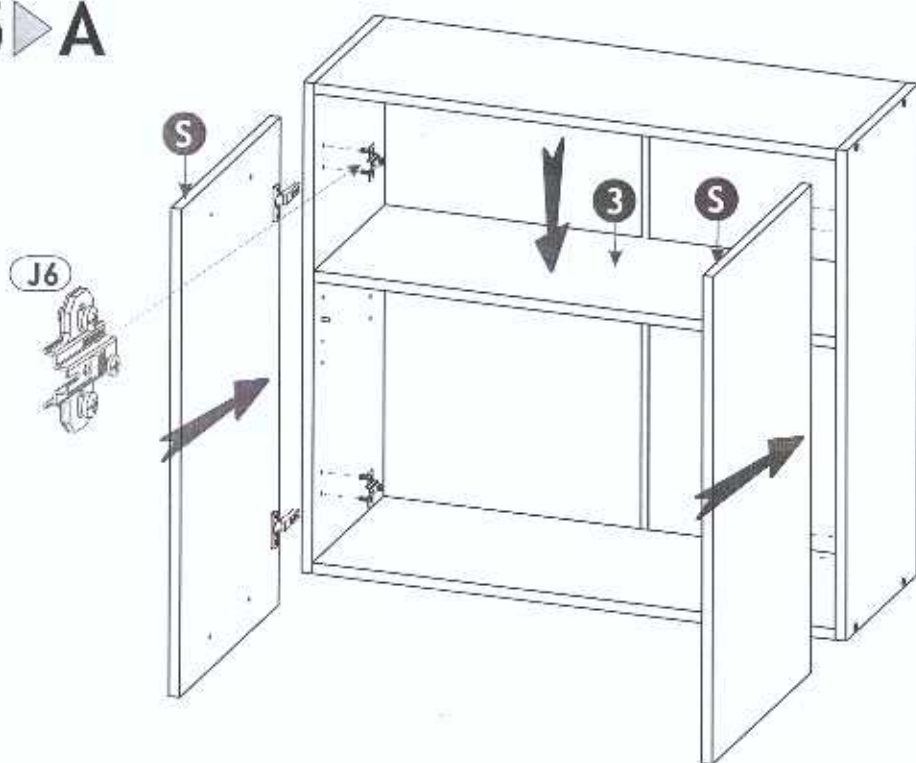
4 ▶ A



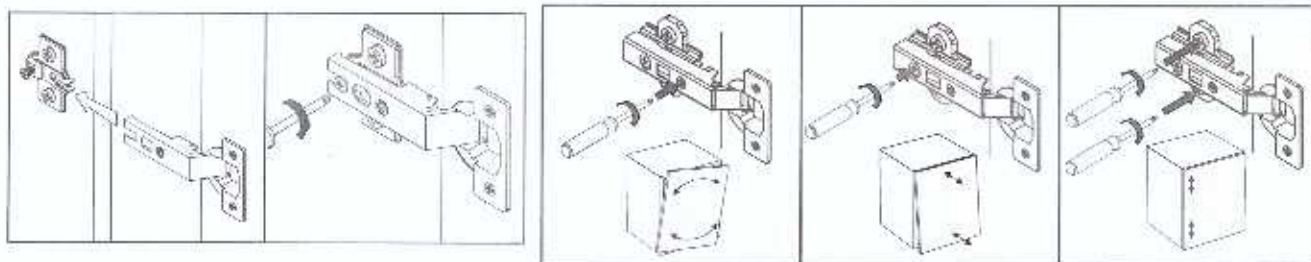
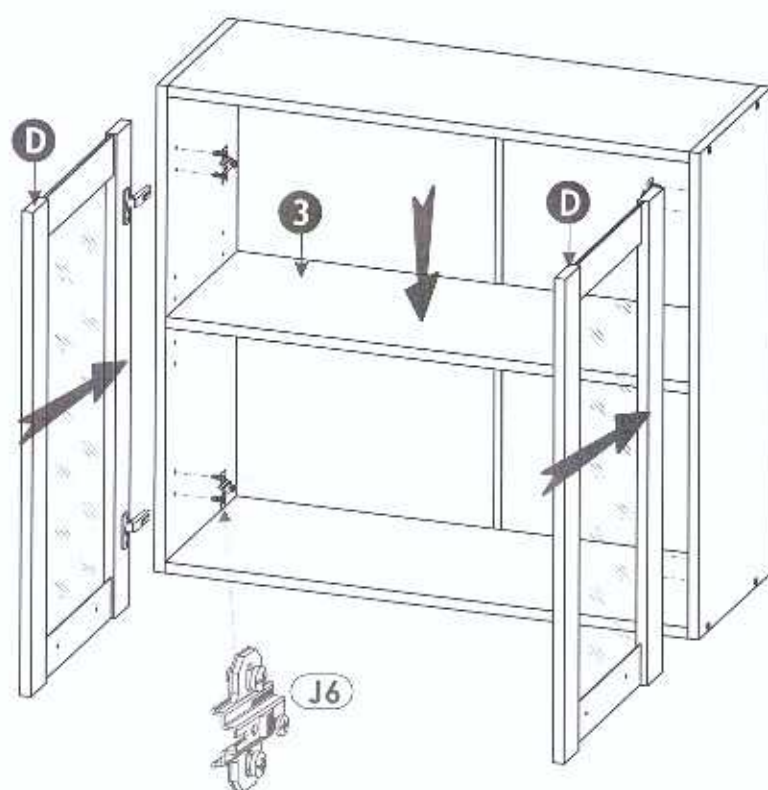
4 ▶ B



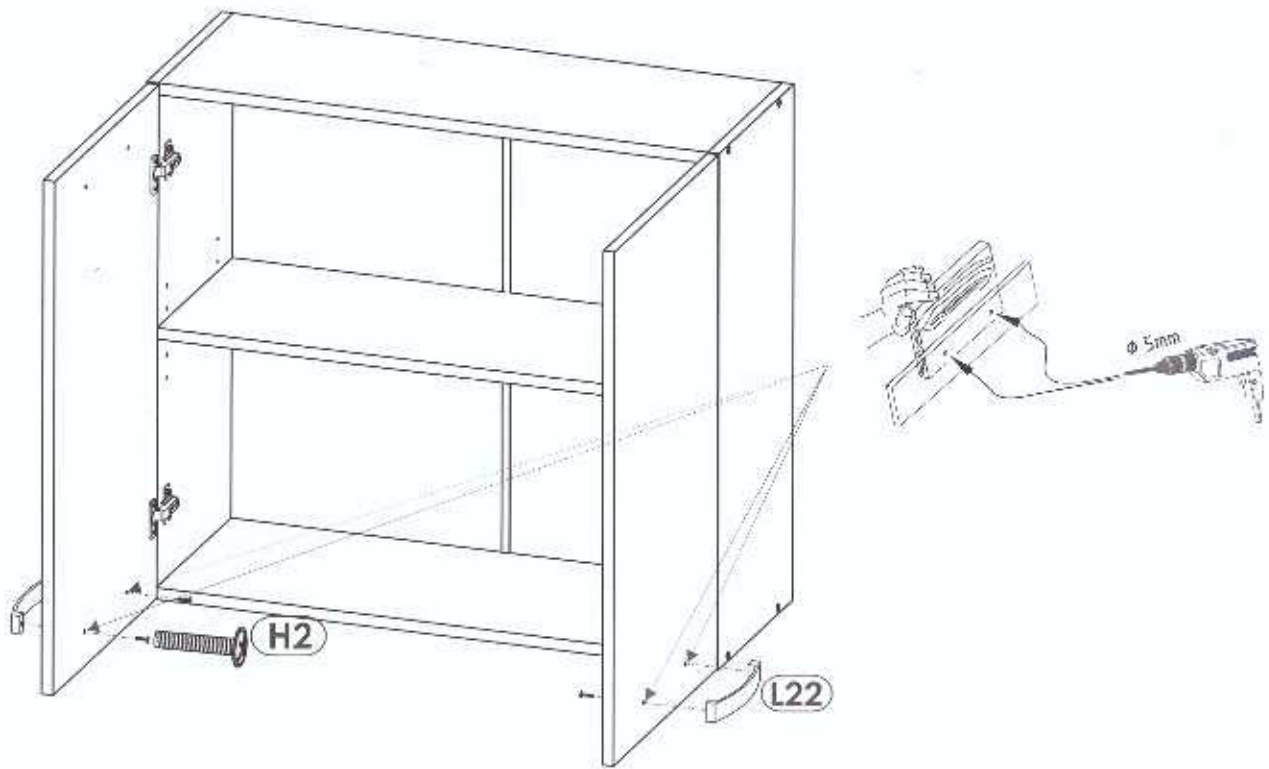
5 ▶ A



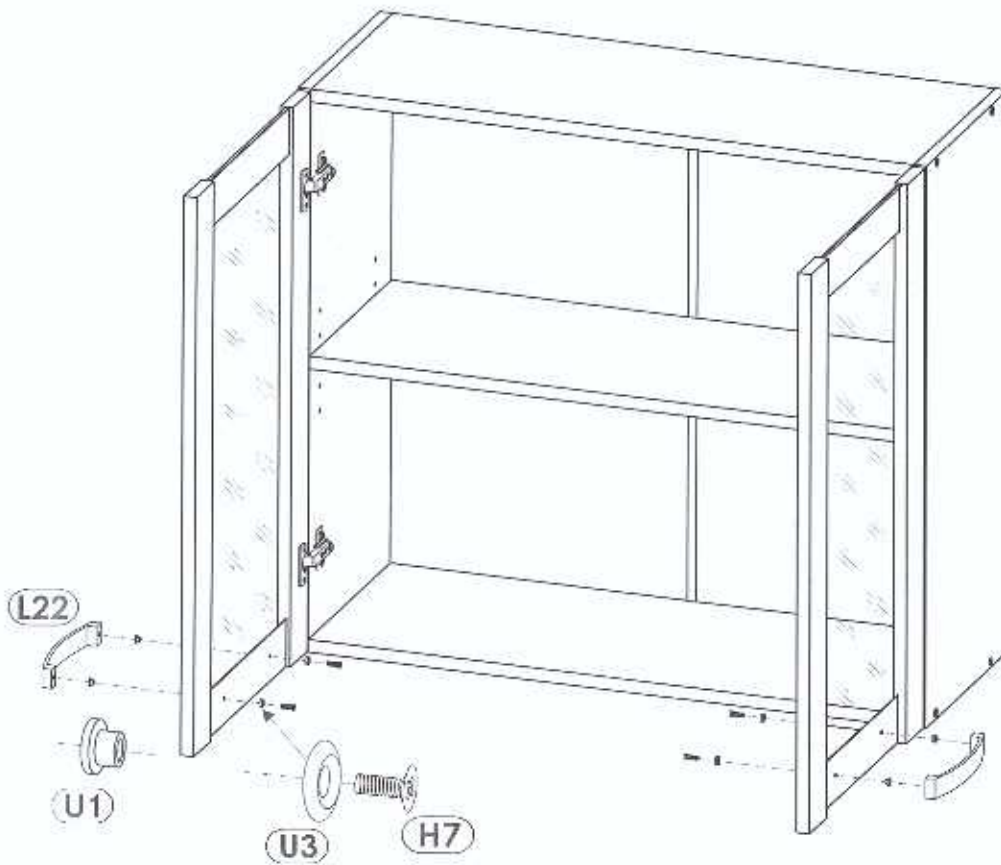
5 ▶ B



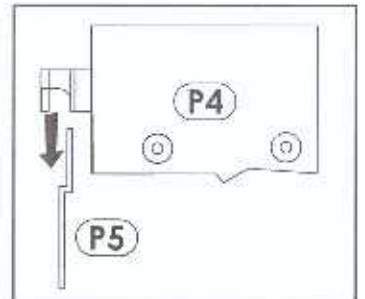
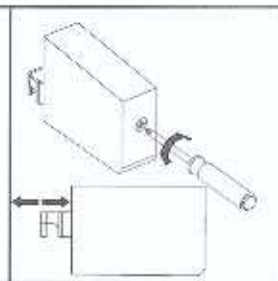
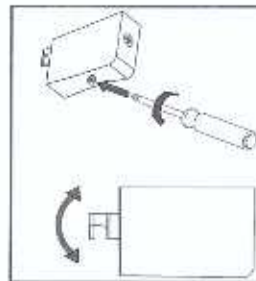
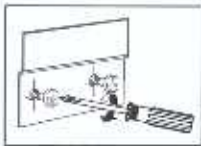
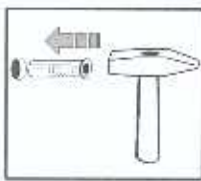
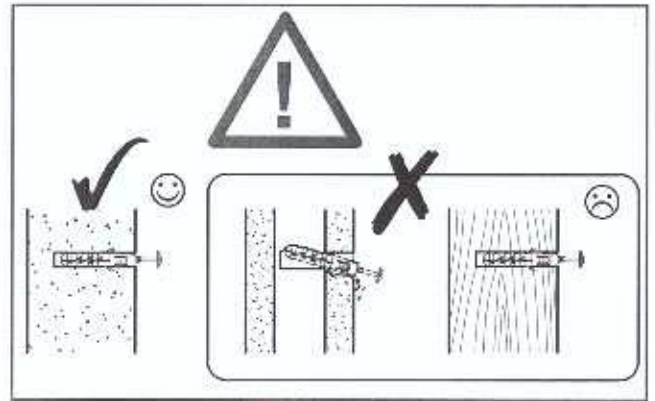
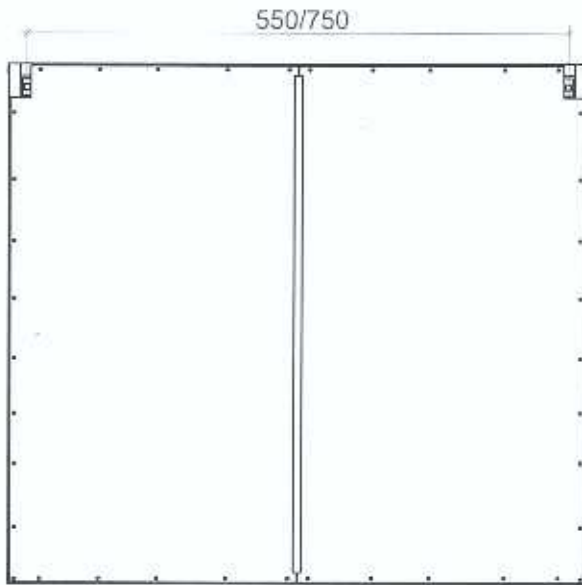
6 ▶ A



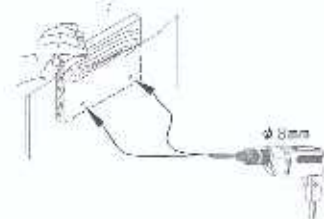
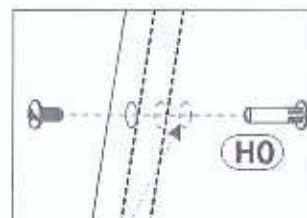
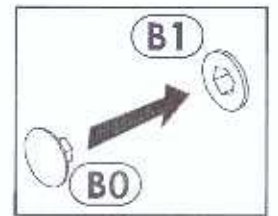
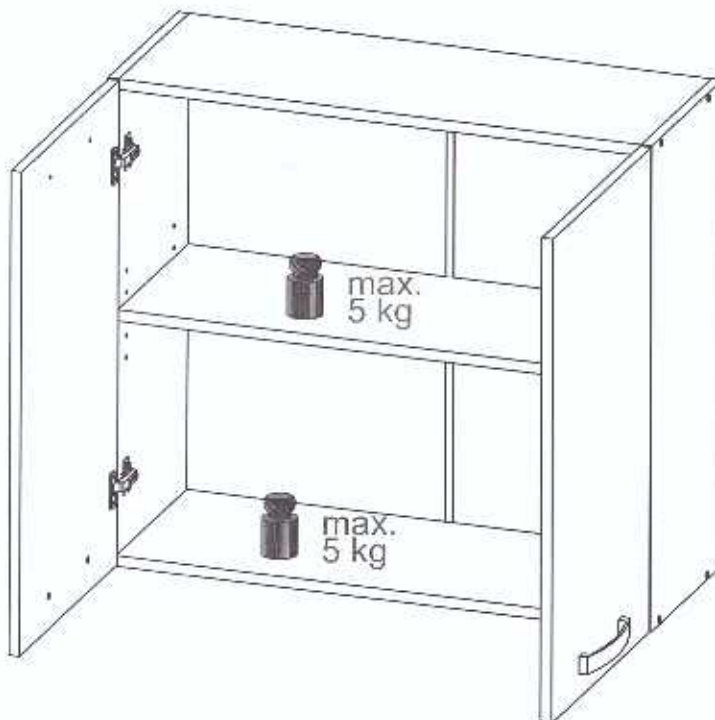
6 ▶ B



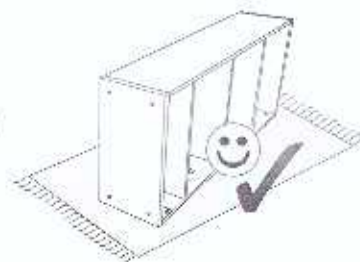
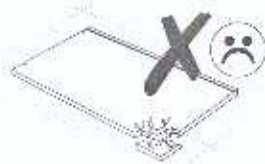
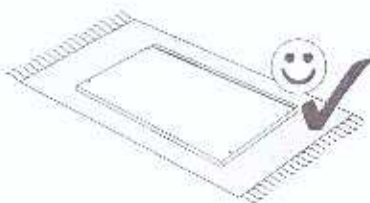
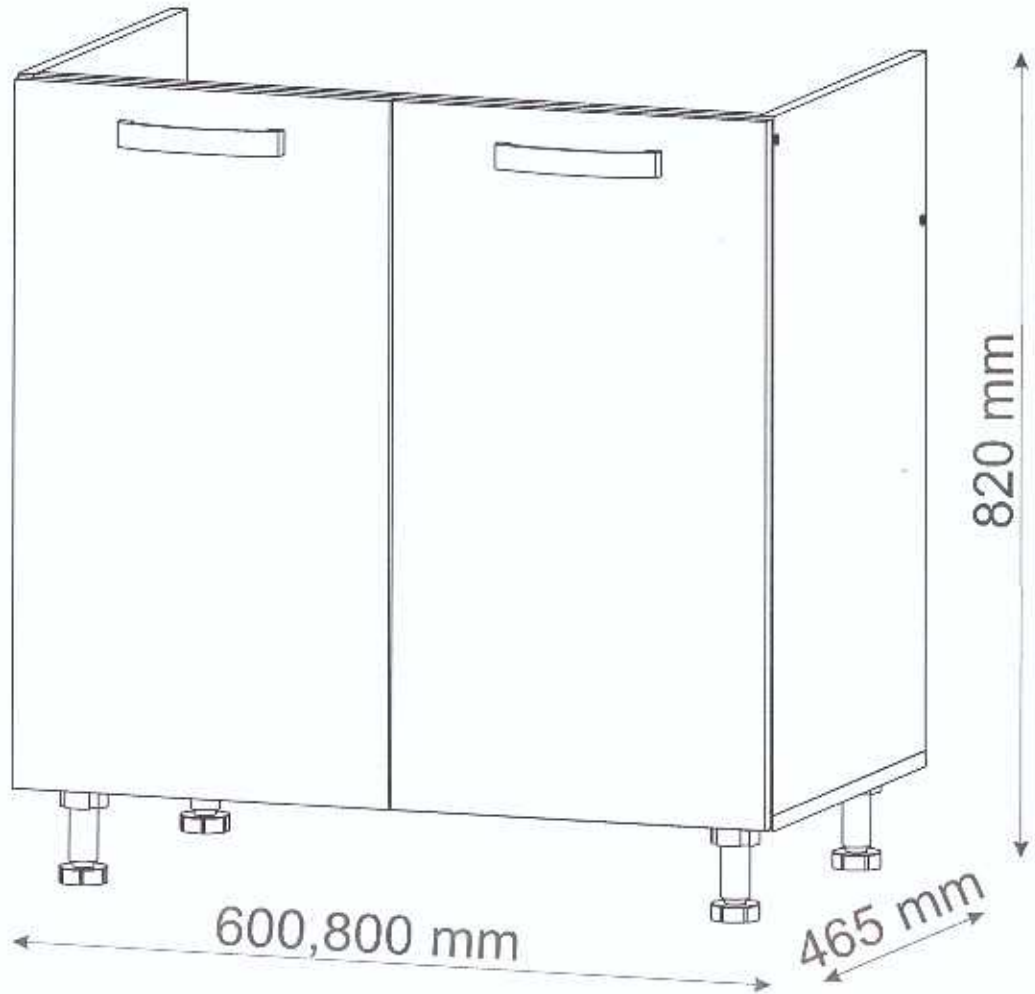
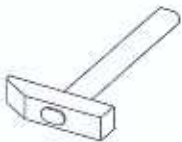
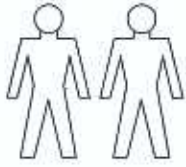
7







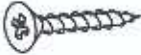
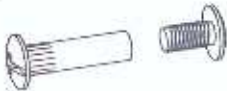








8

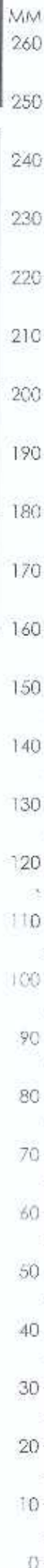


CHARLOTTE 60, 80LC for the kitchen sink



CHARLOTTE 60, 80LC for the kitchen sink

(A0) 8 x 32mm x4 	(B1) f7 x 50 mm x10 	(B0) x2 
(D10) 4 x 16 mm x28 	(D14) 4 x 35 mm x2 	(H0) x2 
(H2) 4 x 22 mm x4 	(J6) x4 	(J8) x4 
(K) x1 	(L22) x2 	(T8) x20 
(T14) x4 	(T15) x2 	



CHARLOTTE 60, 80LC for the kitchen sink

600

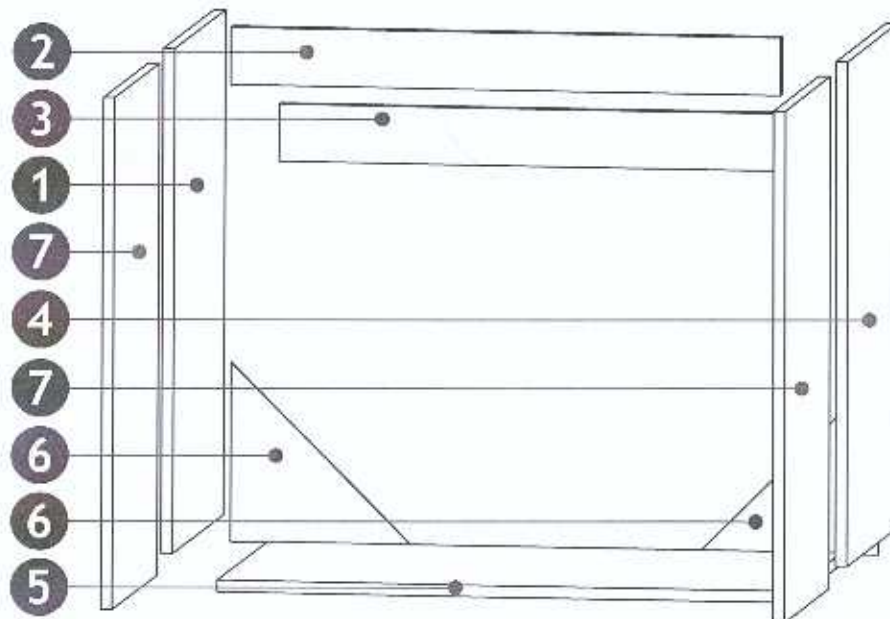
1	704	445	16	x1	1/1
2	567	80	16	x1	1/1
3	567	80	16	x1	1/1
4	704	445	16	x1	1/1
5	600	445	16	x1	1/1
6	250	250	2,5	x2	1/1
					1/1

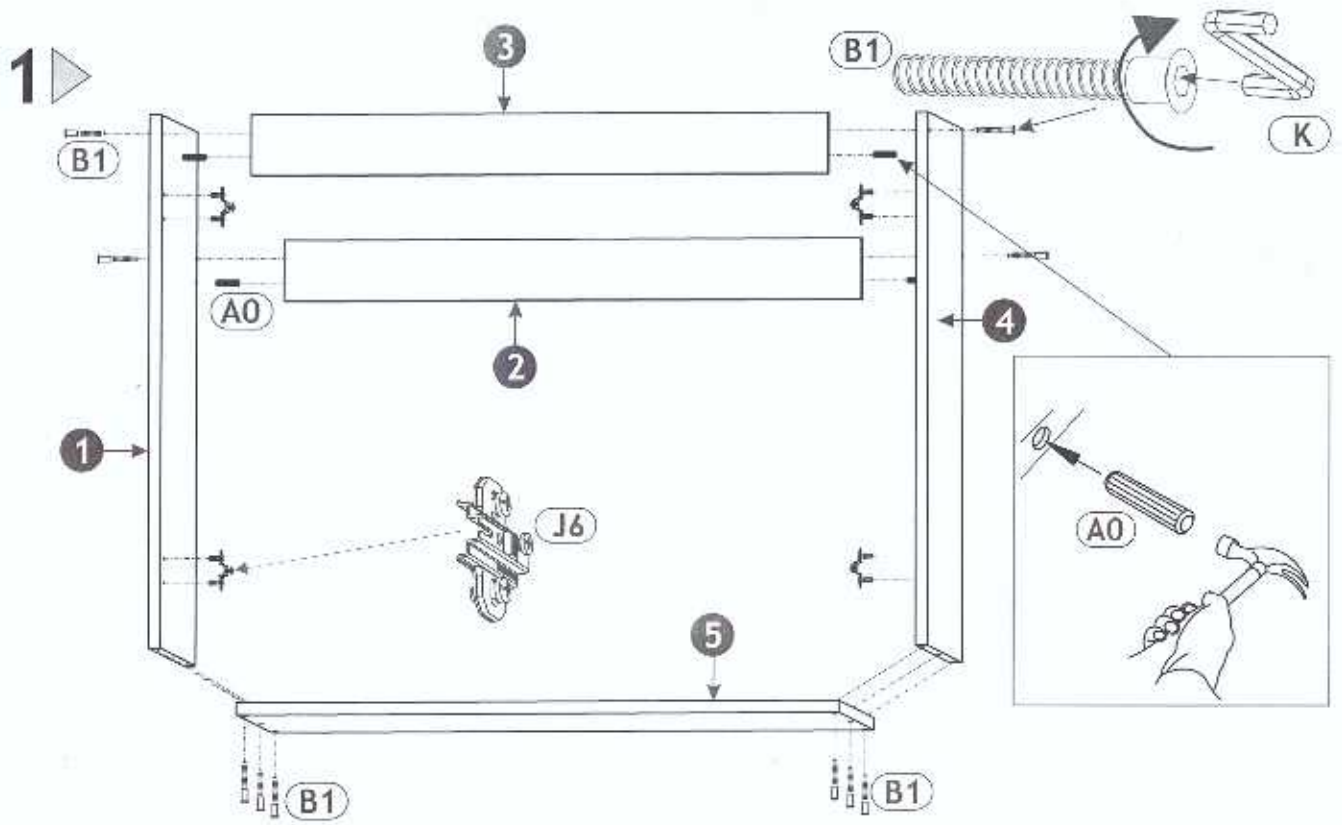
7	714	297	16	x2	1/1
----------	-----	-----	----	----	-----

800

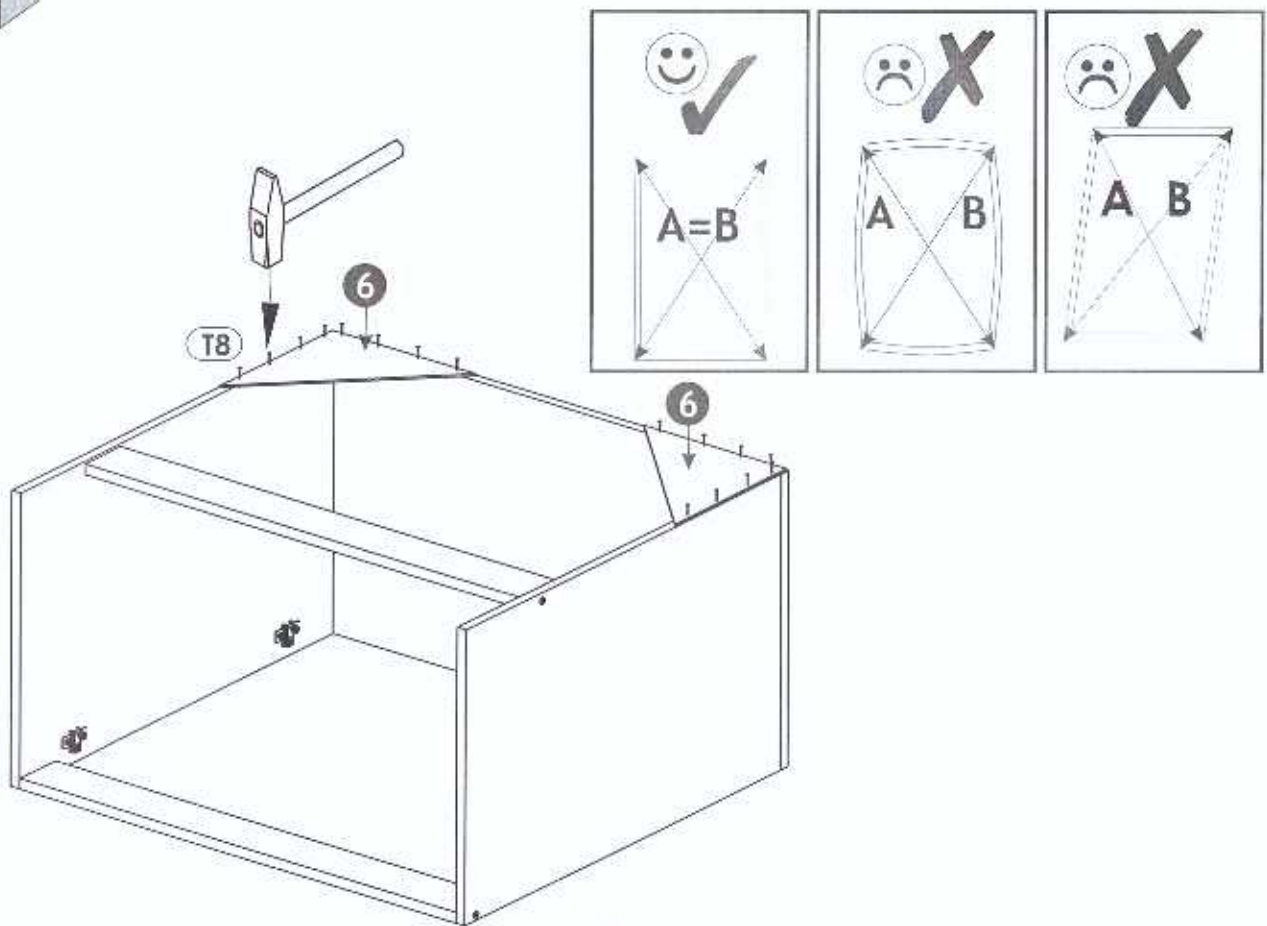
1	704	445	16	x1	1/1
2	767	80	16	x1	1/1
3	767	80	16	x1	1/1
4	704	445	16	x1	1/1
5	800	445	16	x1	1/1
6	250	250	2,5	x2	1/1
					1/1

7	714	397	16	x2	1/1
----------	-----	-----	----	----	-----

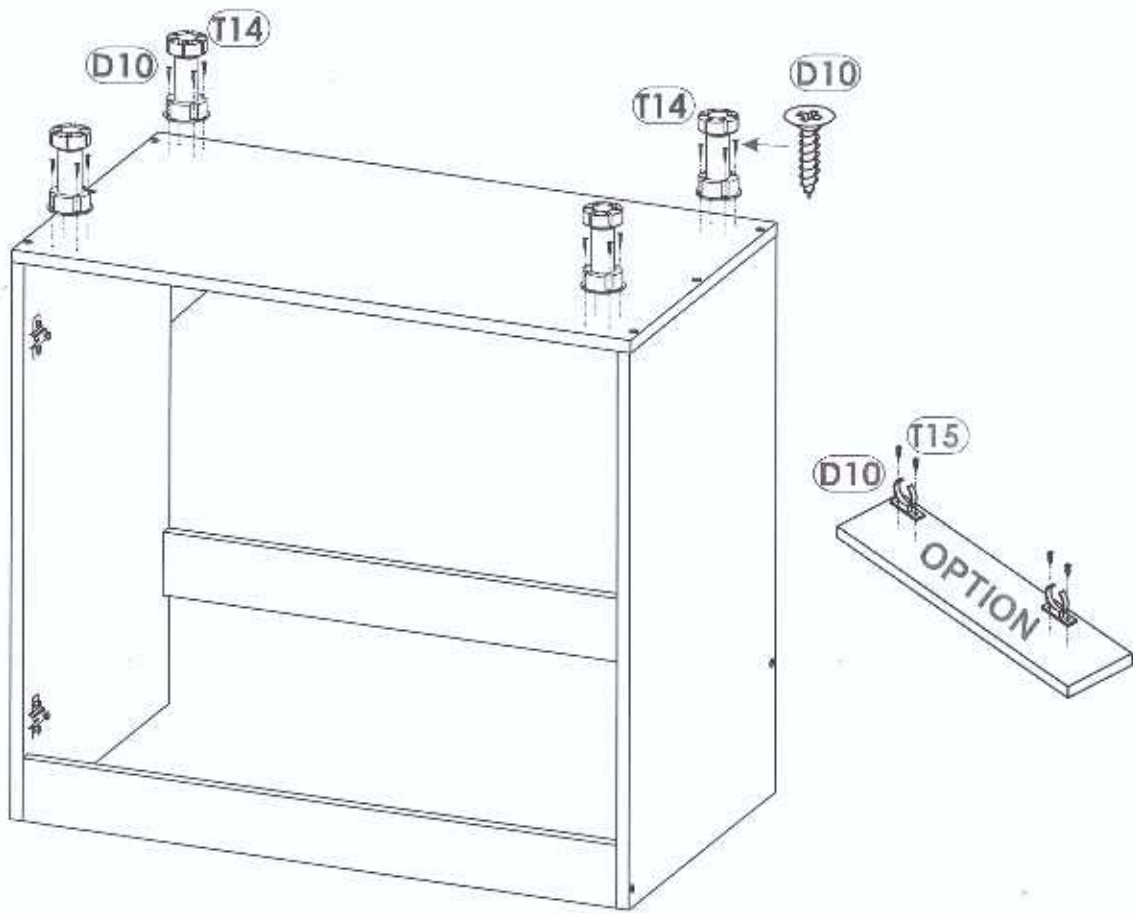




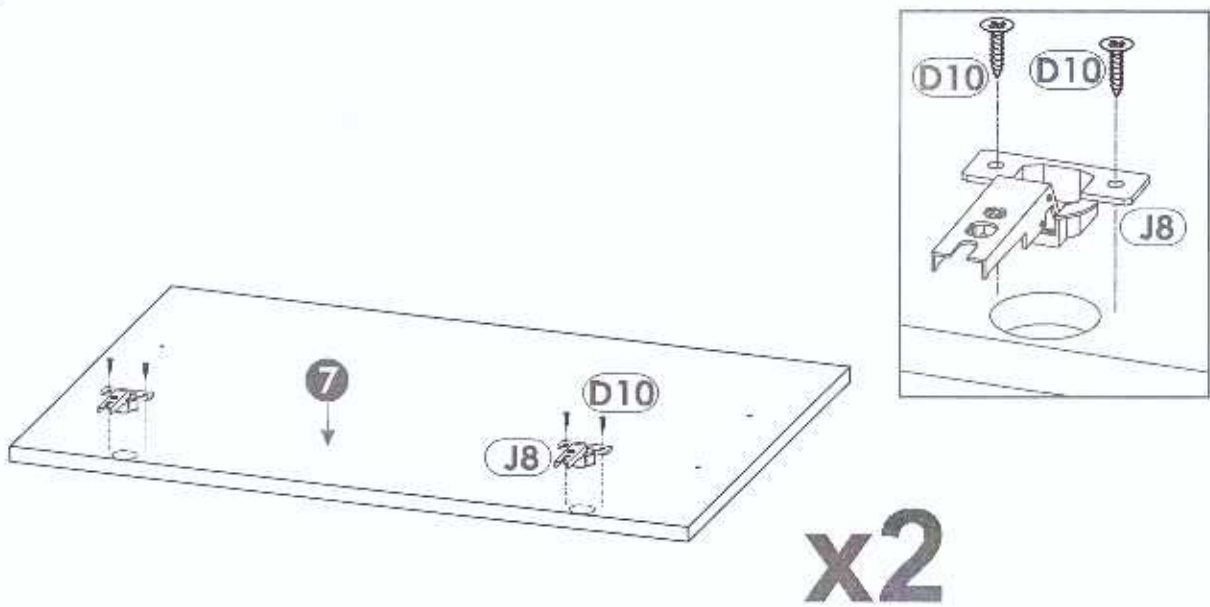
2 ▶



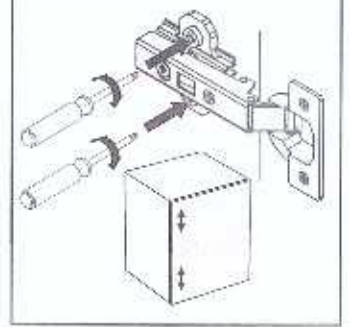
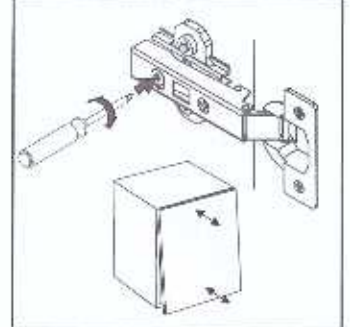
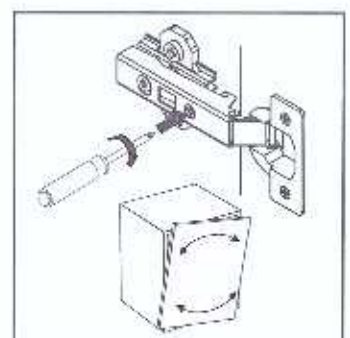
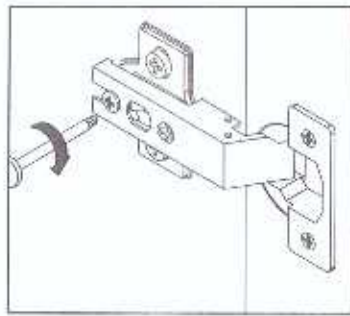
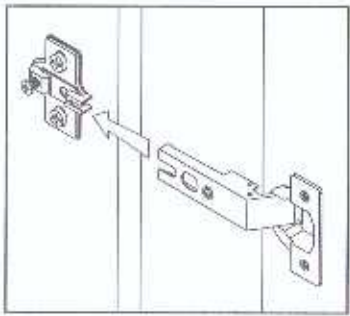
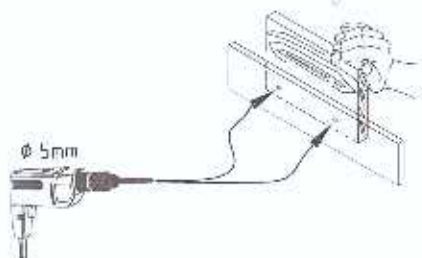
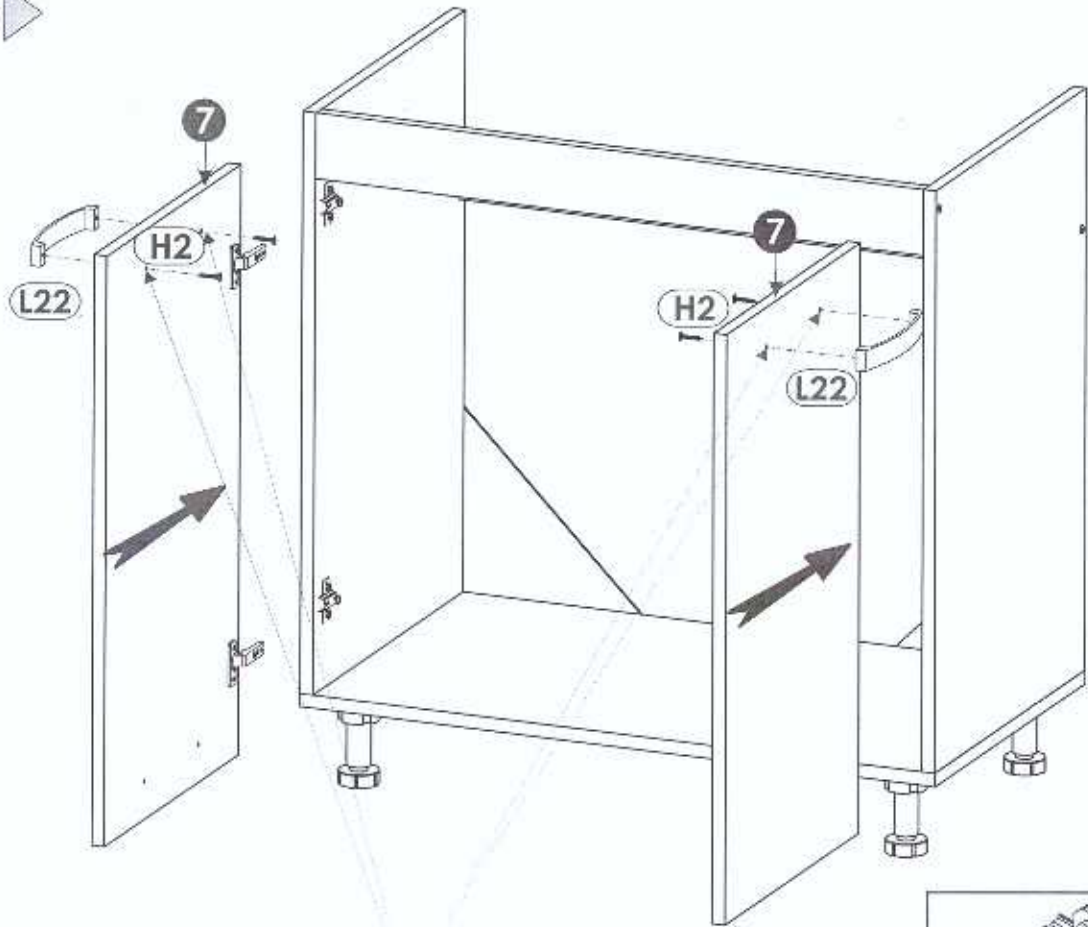
3 ▶



4 ▶



5 ▶



6 ▶

