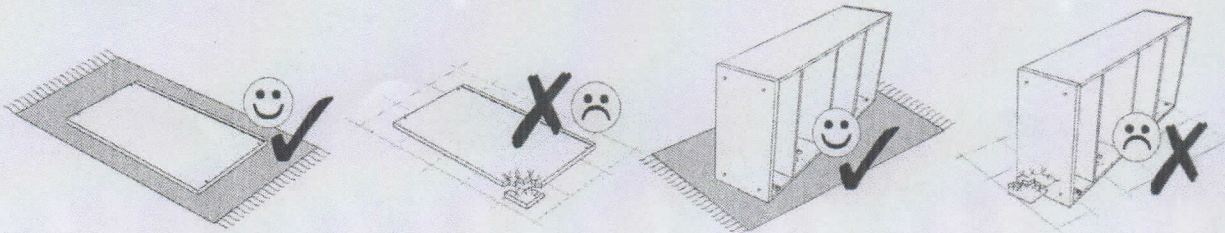
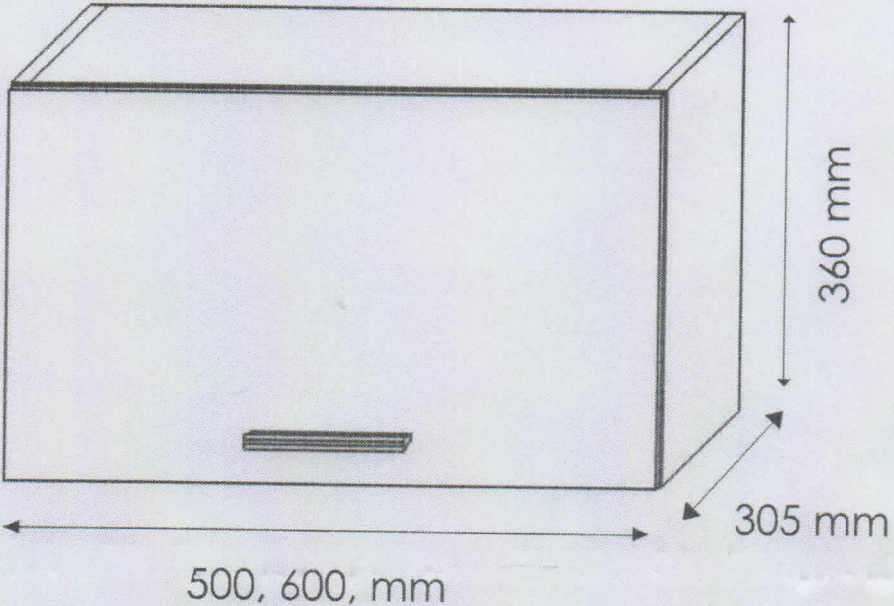
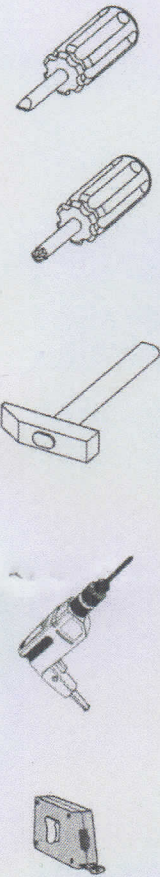
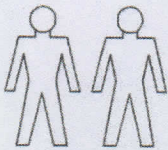
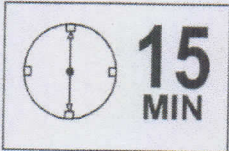
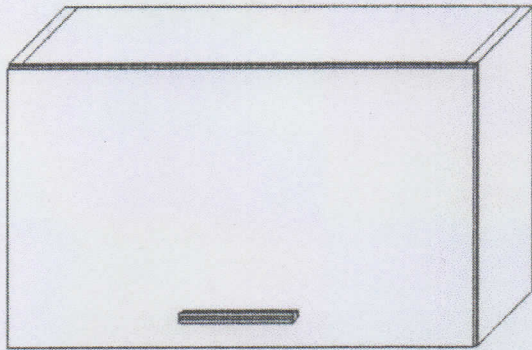


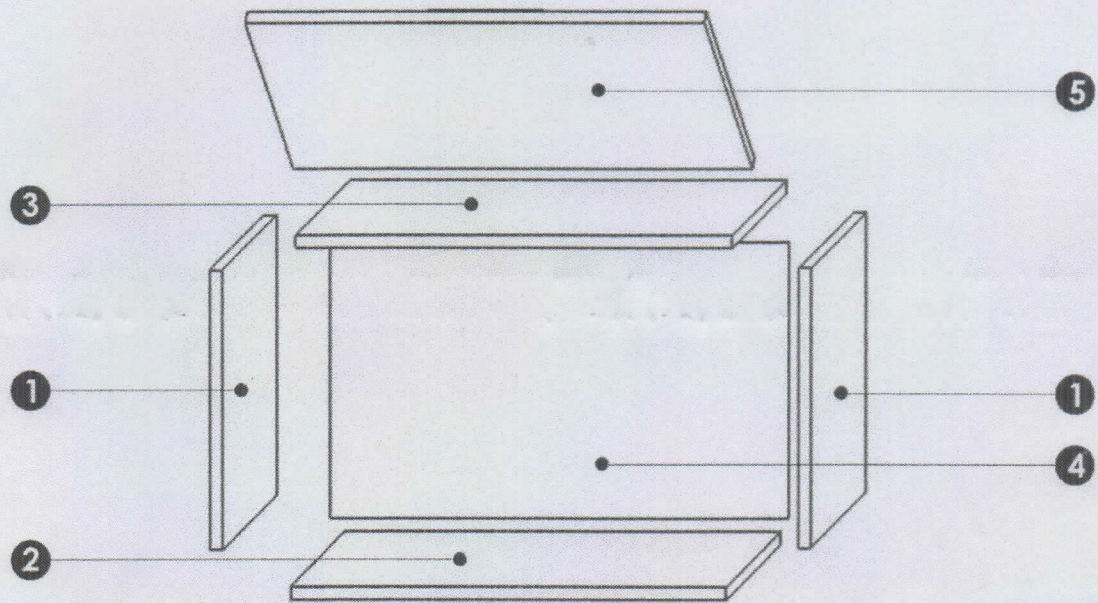
500,600 upper cabinet for cooker hood













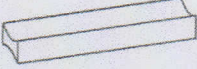
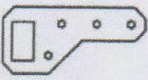

500,600 upper cabinet for cooker hood



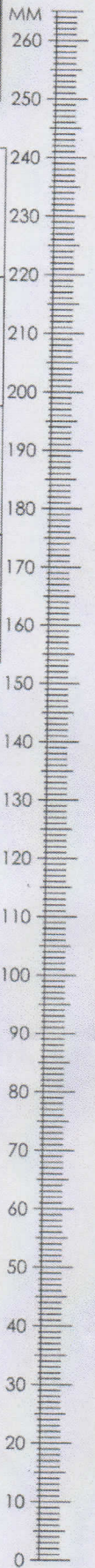
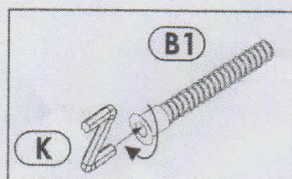
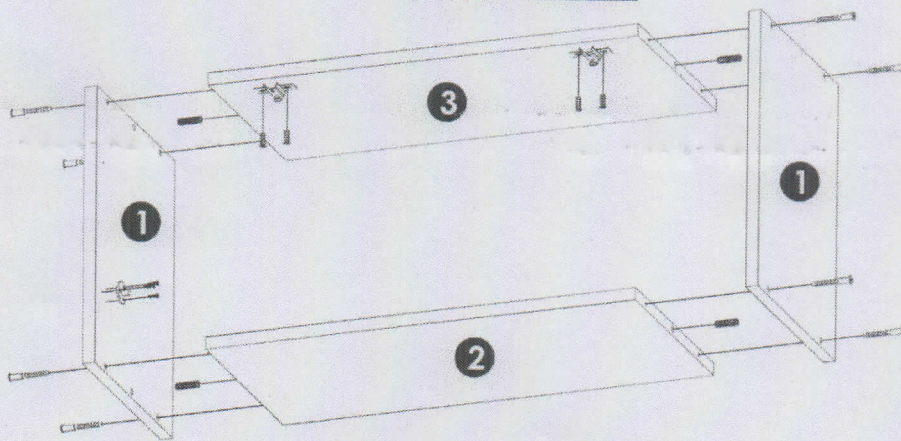
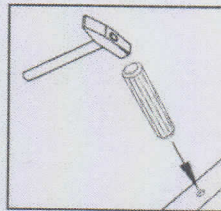
	500	600			
①	360x285	360x285	16	x2	1/1
②	467x285	567x285	16	x1	1/1
③	467x285	567x285	16	x1	1/1
④	495x355	595x355	3	x1	1/1
⑤	496x355	596x355	16	x1	1/1
					1/1



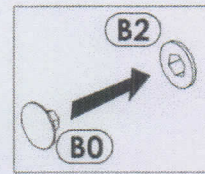
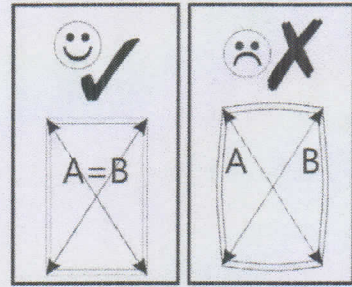
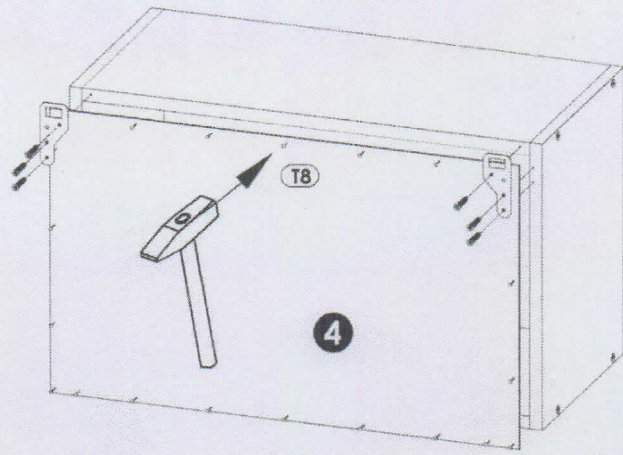
500,600 upper cabinet for cooker hood

A0 8 x 32mm x4 	B1 f 7 x 50 mm x8 	B0  x4
D2 3 x 30 mm x6 	D10 4 x 16 mm x4 	D16 4,2 x 28 mm x2 
D31 6,3 x 13 mm x4 	I3 d 26mm x2 	I1  x2
T8  x30	 x1	 x2
 x1		

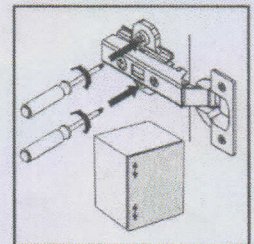
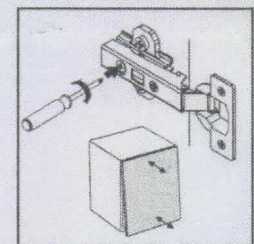
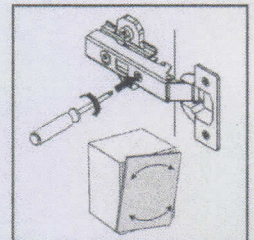
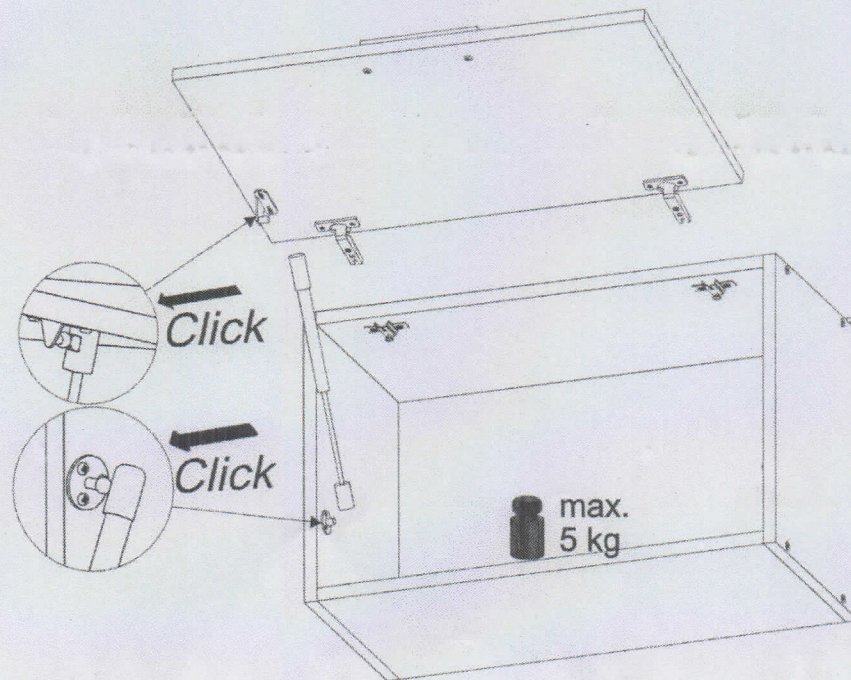
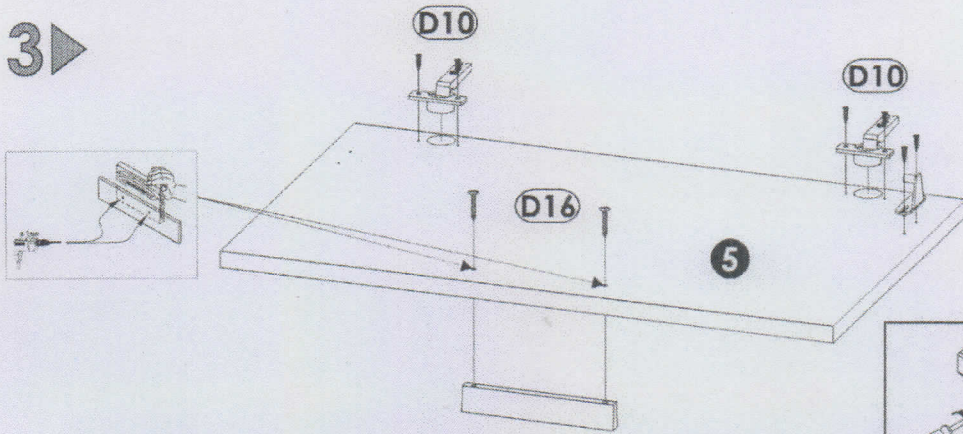
1 ▶



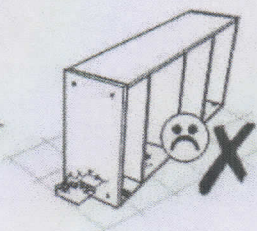
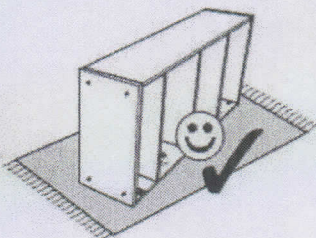
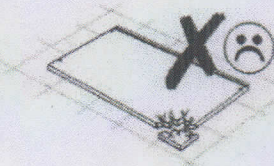
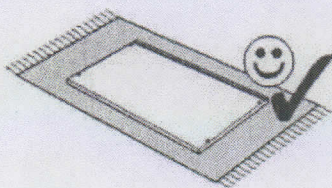
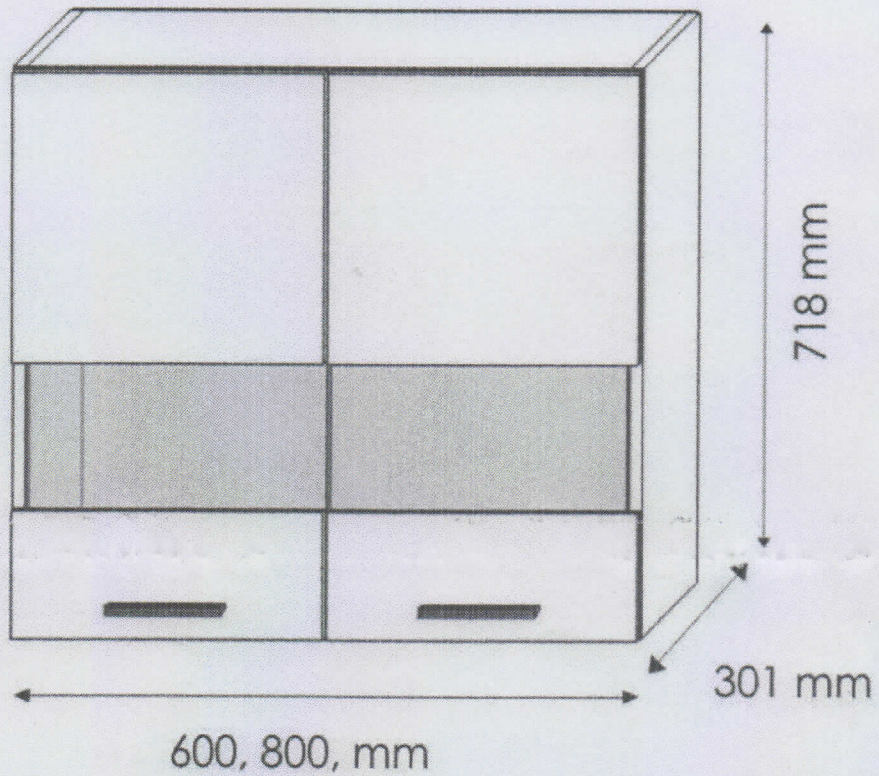
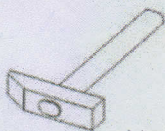
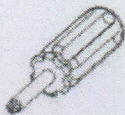
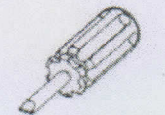
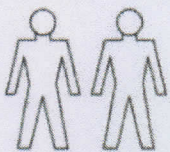
2▶



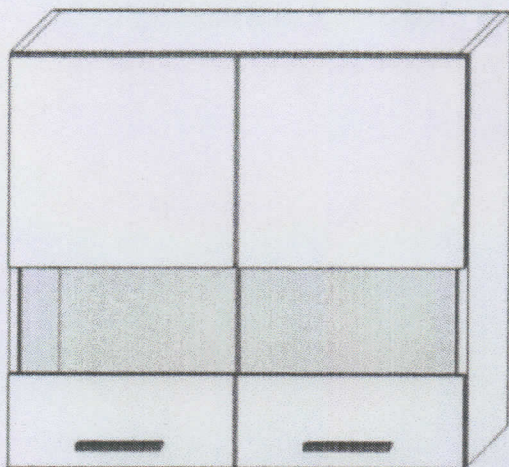
3▶



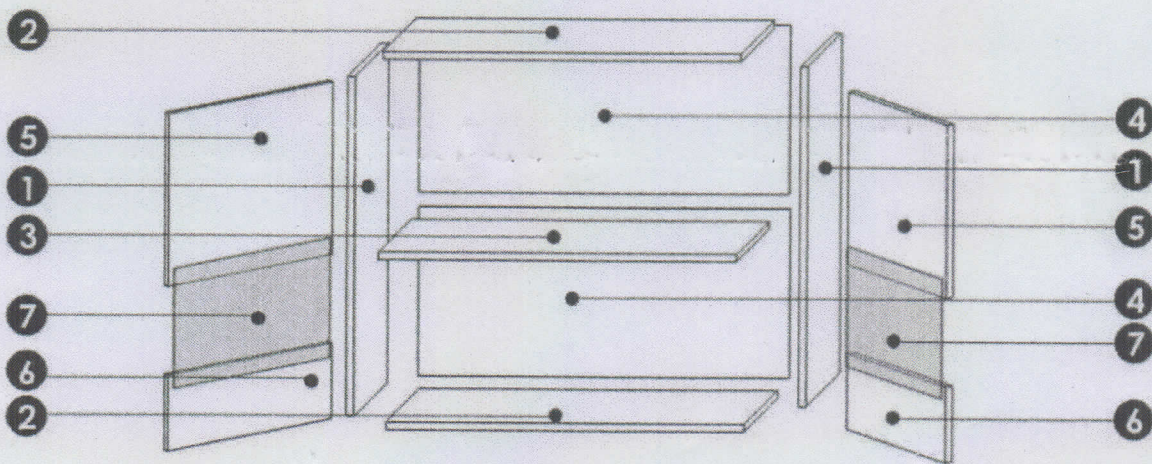
600, 800 upper glass cabinet



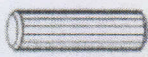

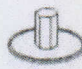







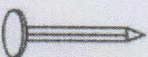





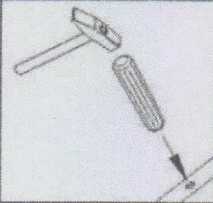
600, 800 upper glass cabinet

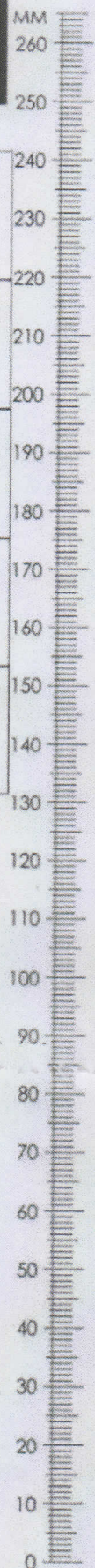
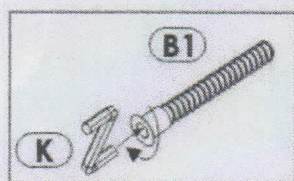
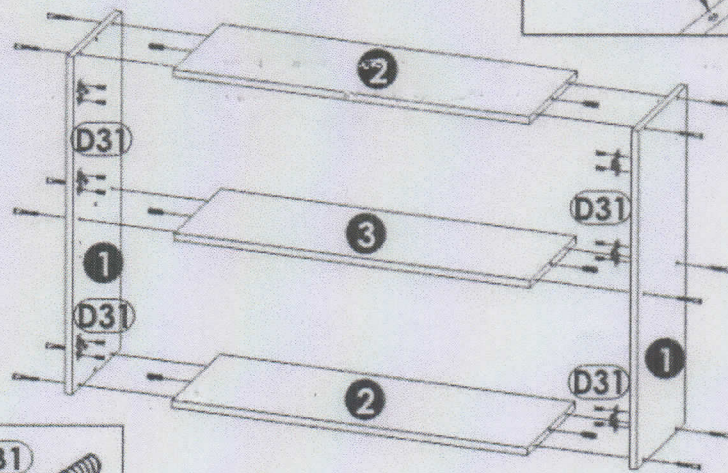


	600	800			
①	718x285	718x285	16	x2	1/1
②	567x285	767x285	16	x2	1/1
③	567x275	767x275	16	x1	1/1
④	715x198	715x397	3	x3/x2	1/1
⑤	296x362	396x362	16	x2	1/1
⑥	296x160	396x160	16	x1	1/1
⑦	251x279	251x379	4	x2	1/1
					1/1

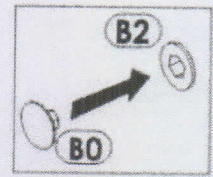
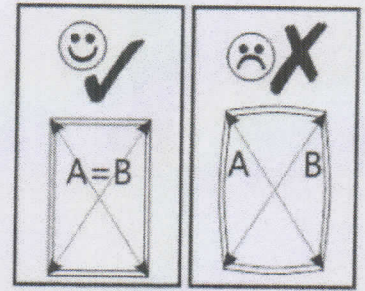
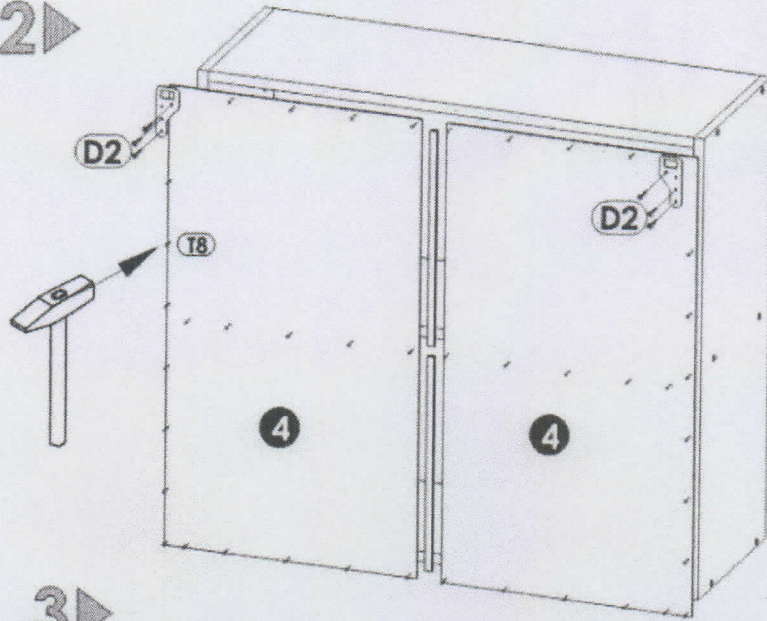


600, 800 upper glass cabinet

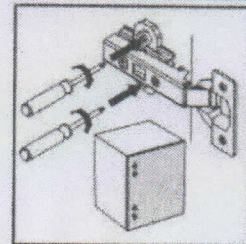
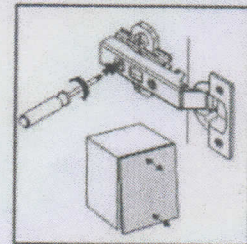
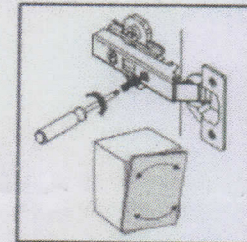
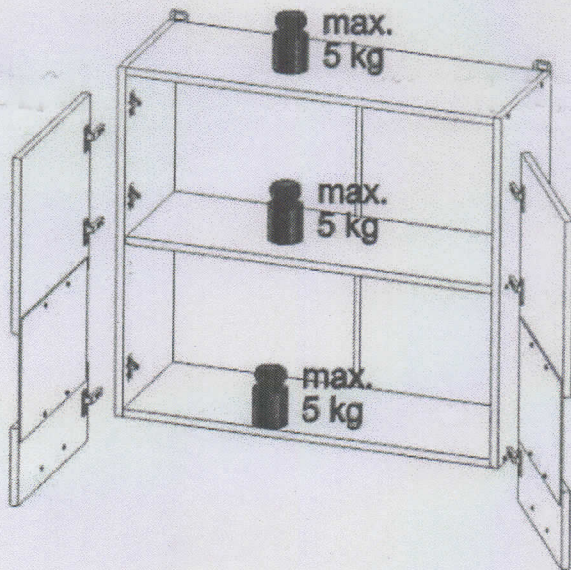
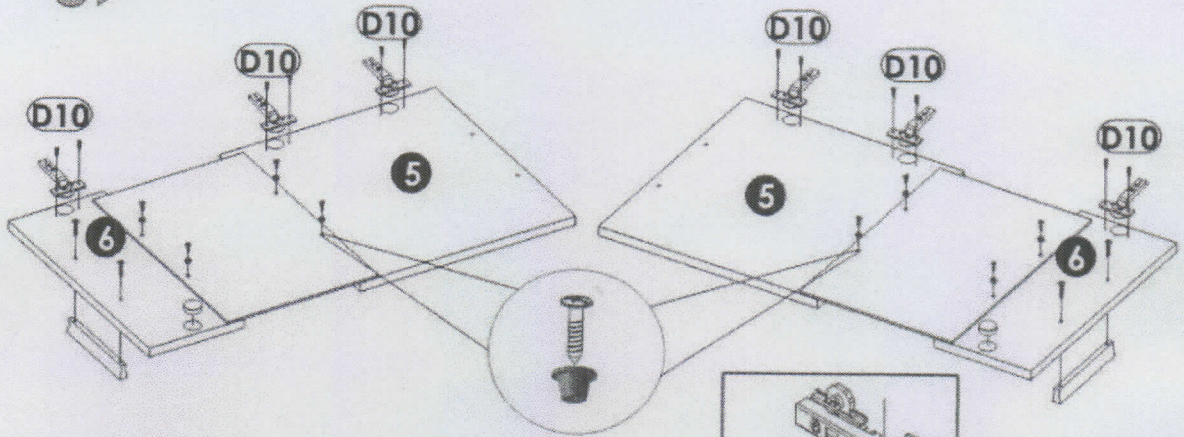
A0 8 x 32mm x6 	B1 17 x 50 mm x12 	B0 x6 
D2 3 x 30 mm x6 	D4 3.5 x 18 mm x8 	D10 4 x 16 mm x12 
D16 4.2 x 28 mm x8 	D31 6.3 x 13 mm x12 	I3 d 26mm x4 
I1 x4 	T8 x40 	x2 
	x8 	x2 
	x2	



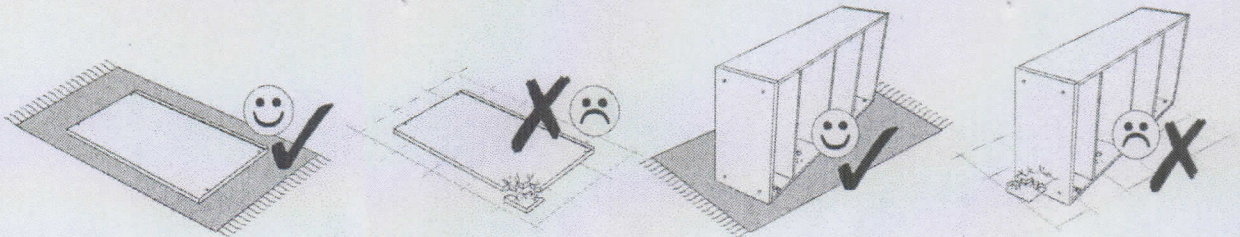
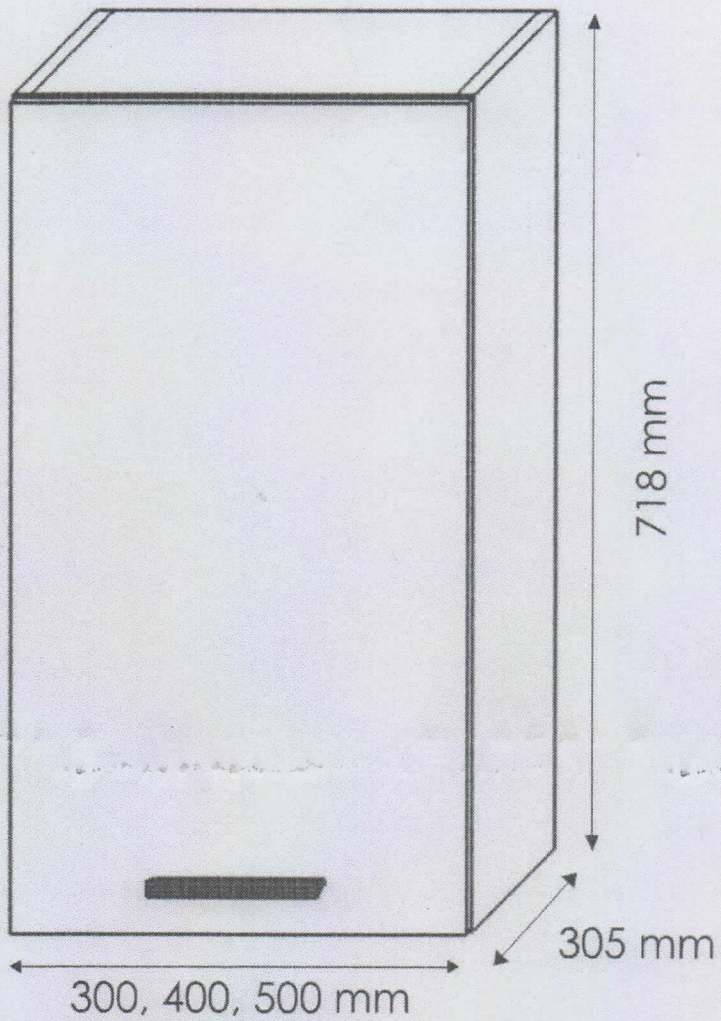
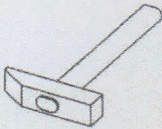
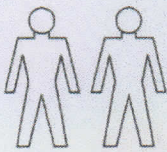
2 ▶



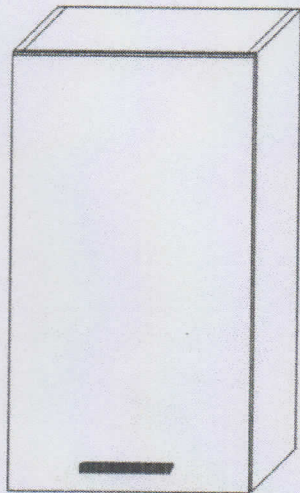
3 ▶



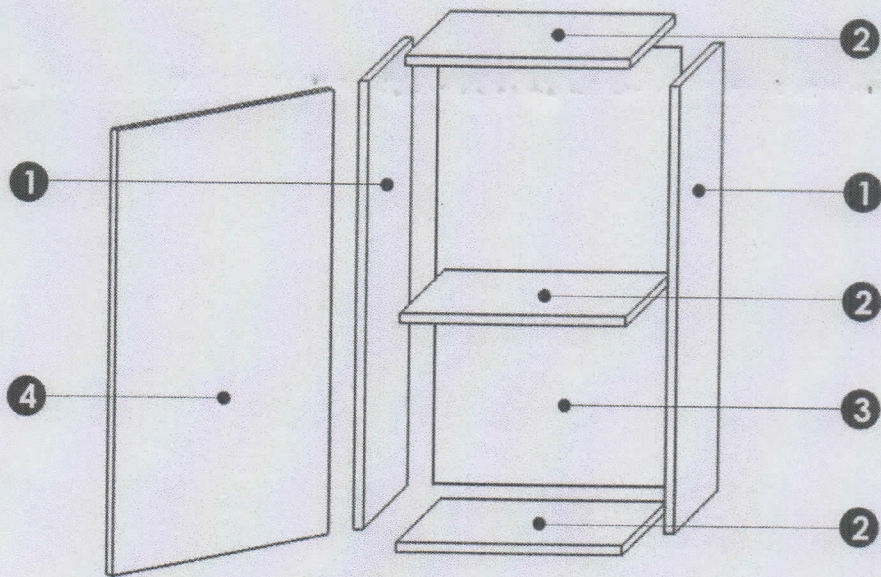
300,400,500 upper cabinet



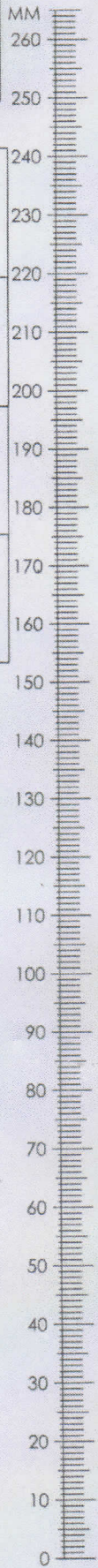
300,400,500 upper cabinet










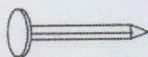

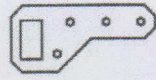


	300	400	500			
①	718x285	718x285	718x285	16	x2	1/1
②	267x285	367x285	467x285	16	x3	1/1
③	295x715	395x715	495x715	3	x1	1/1
④	296x713	396x713	496x713	16	x1	1/1
						1/1

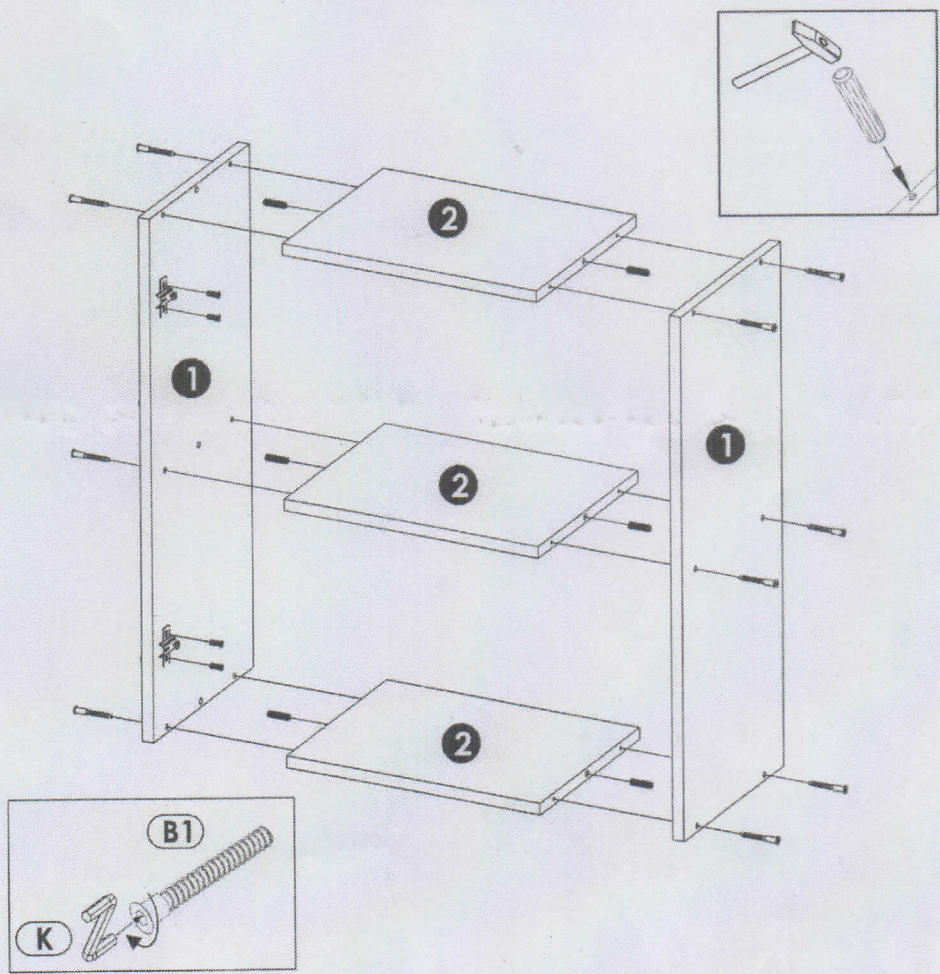


300,400,500 upper cabinet

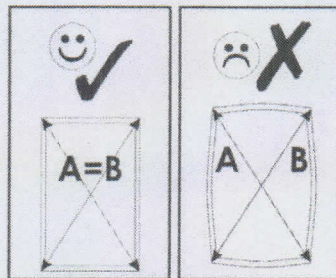
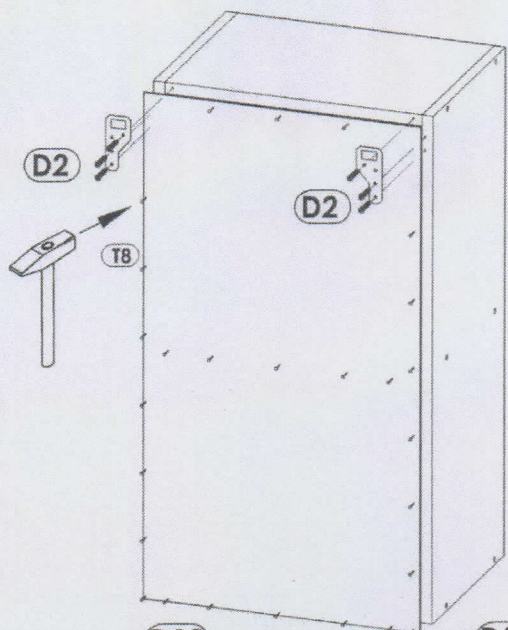


A0 8 x 32mm x6 	B1 f 7 x 50 mm x12 	B0  x6
D2 3 x 30 mm x6 	D10 4 x 16 mm x4 	D16 4.2 x 28 mm x2 
D31 6.3 x 13 mm x4 	I3 d 26mm x2 	I1  x2
T8  x40	 x1	 x2

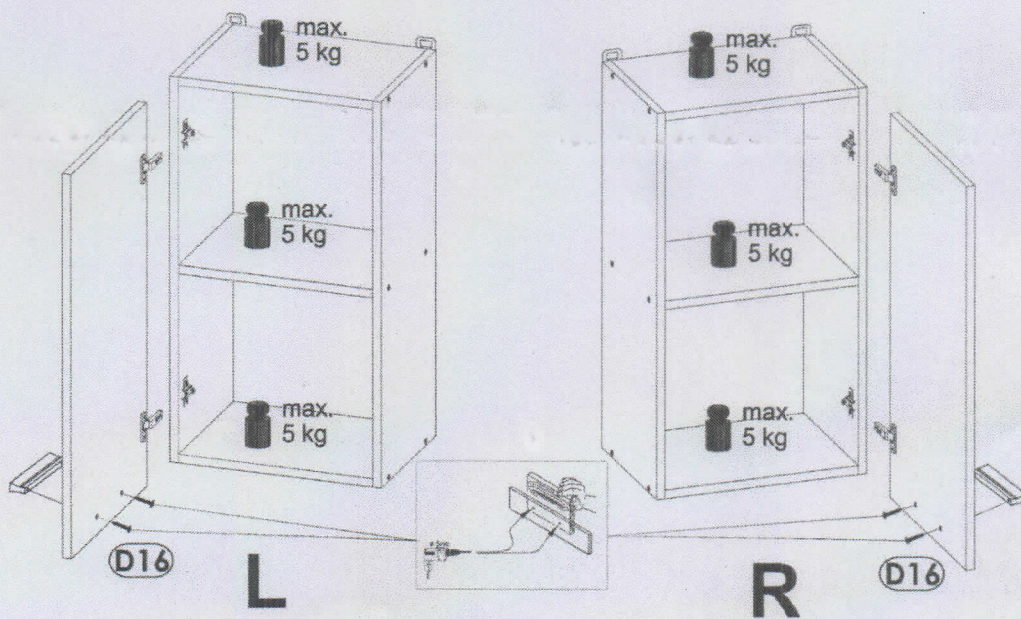
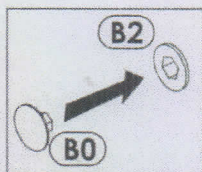
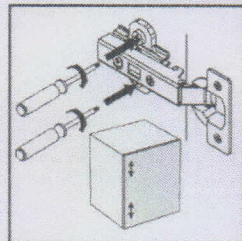
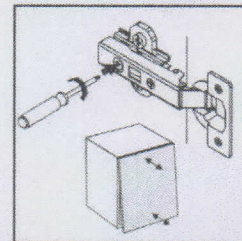
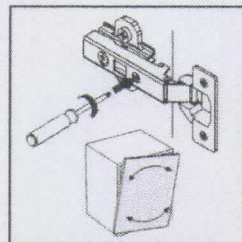
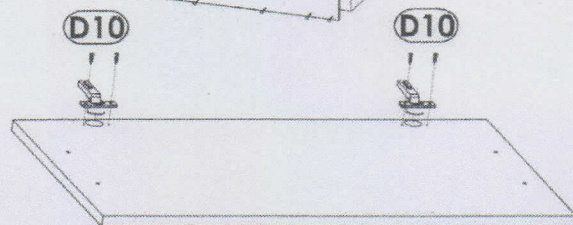
1 ▶



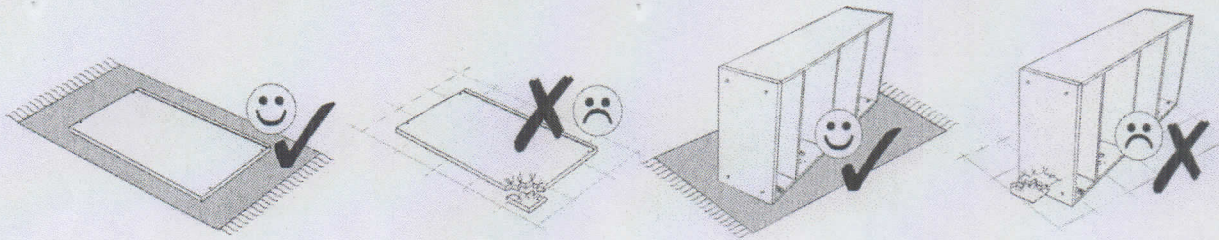
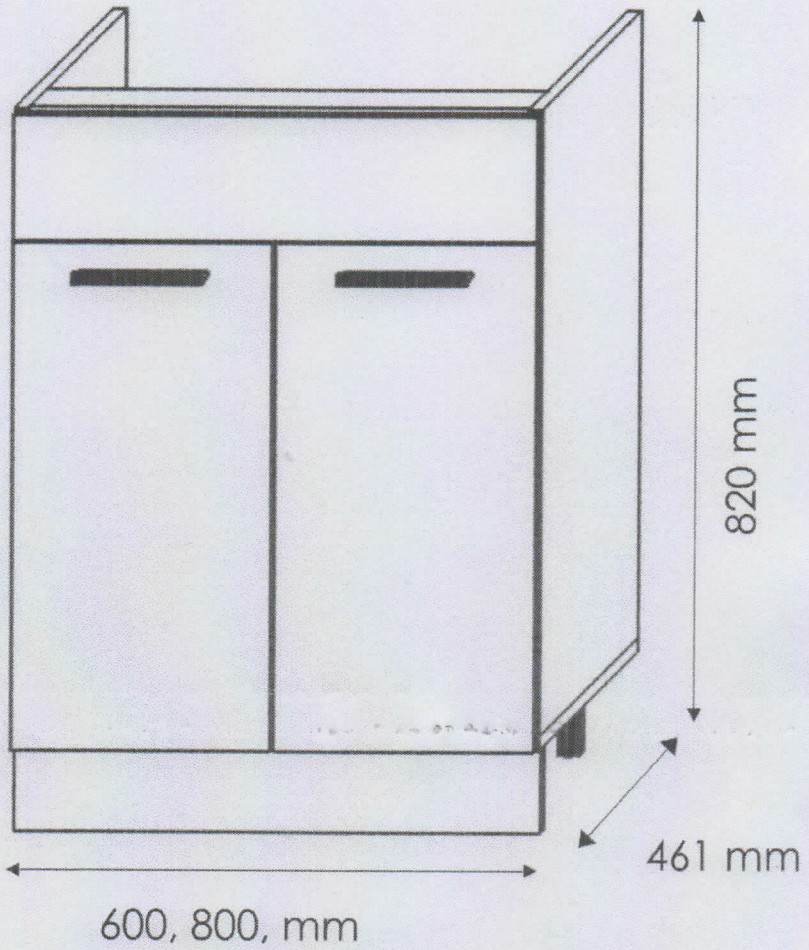
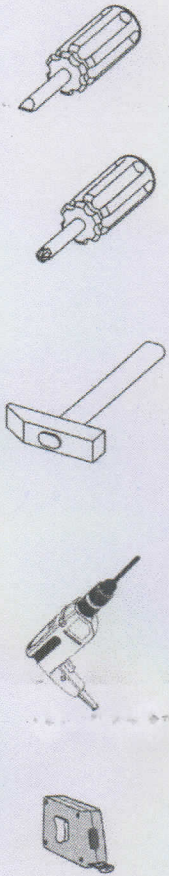
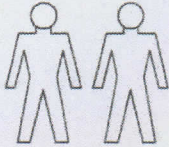
2 ▶



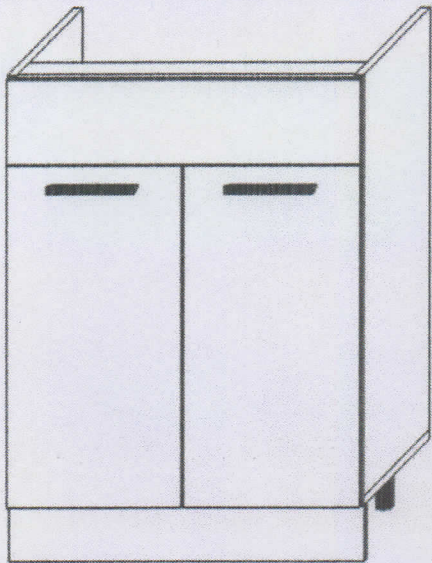
3 ▶



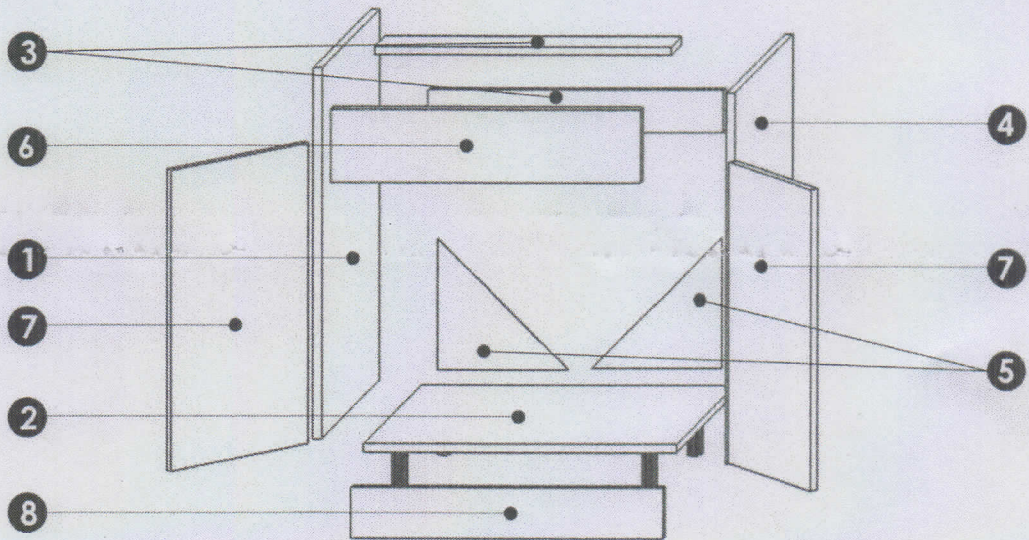
600, 800 lower cabinet for kitchen sink





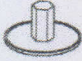




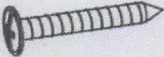
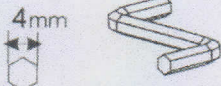
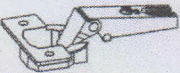


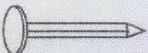



600, 800 lower cabinet for kitchen sink

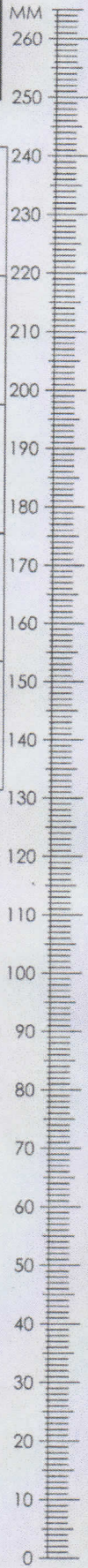


	600	800			
①	704x445	704x445	16	x1	1/1
②	600x445	800x445	16	x1	1/1
③	567x80	767x80	16	x2	1/1
④	704x445	704x445	16	x1	1/1
⑤	250x250	250x250	3	x2	1/1
⑥	596x140	796x140	16	x1	1/1
⑦	296x570	396x570	16	x2	1/1
⑧	599x95	799x95	16	x1	1/1
					1/1

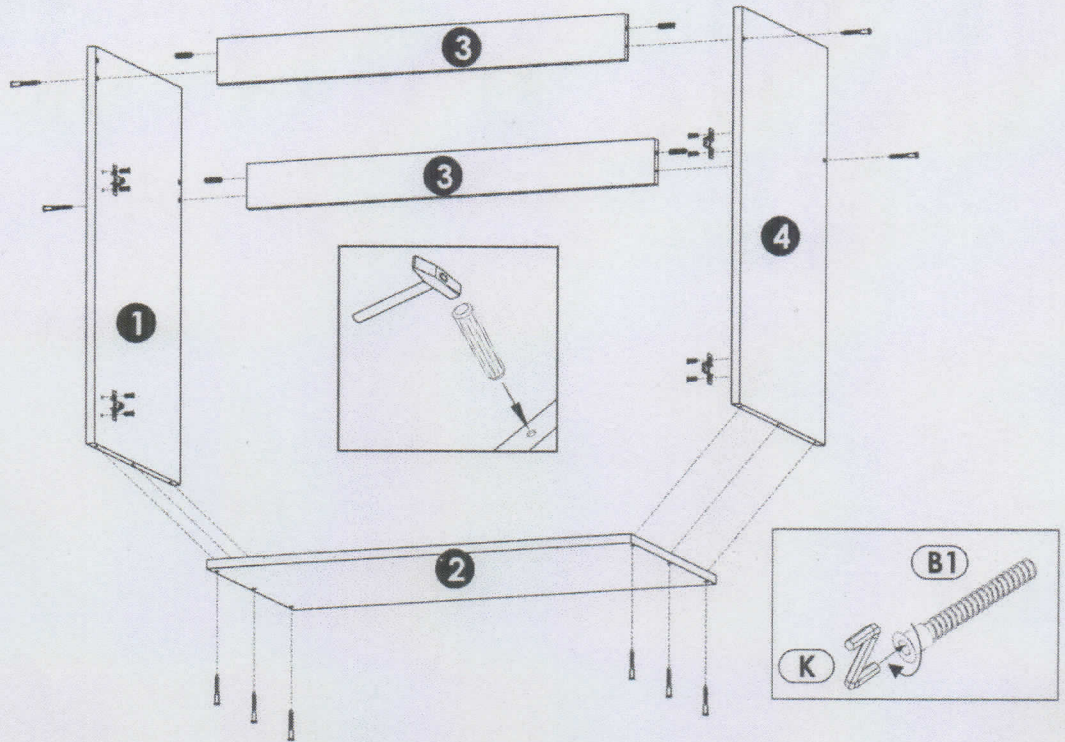


600, 800 lower cabinet for kitchen sink

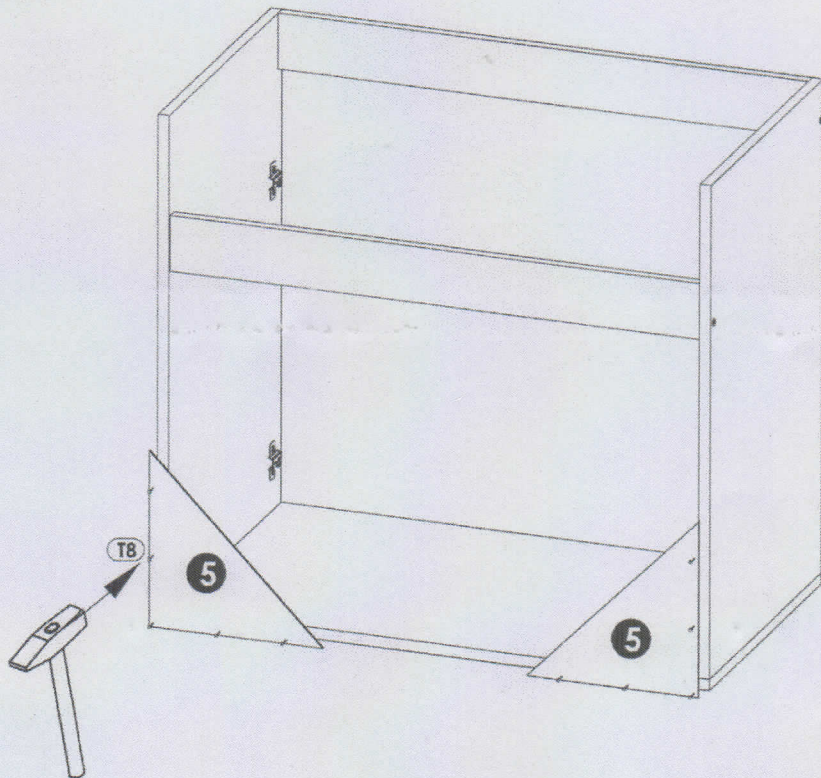
A0 8 x 32mm x4 	B1 f 7 x 50 mm x10 	B0 x2 
D0 3 x 15 mm x16 	D2 3 x 30 mm x4 	D10 4 x 16 mm x32 
D31 6.3 x 13 mm x8 	D16 4.2 x 28 mm x4 	K x1 
I3 d 26mm x4 	I1 x4 	x2 
T8 x20 	x4 	x4 
x4 		



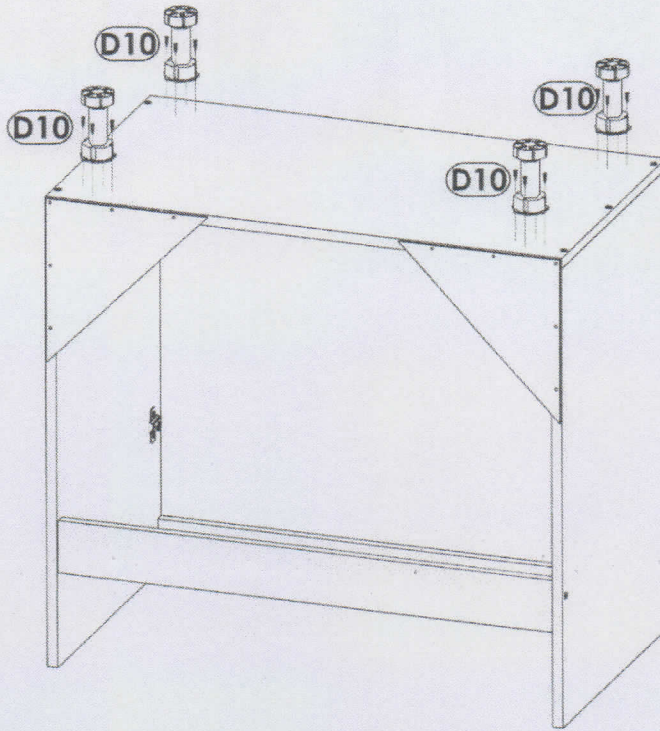
1 ▶



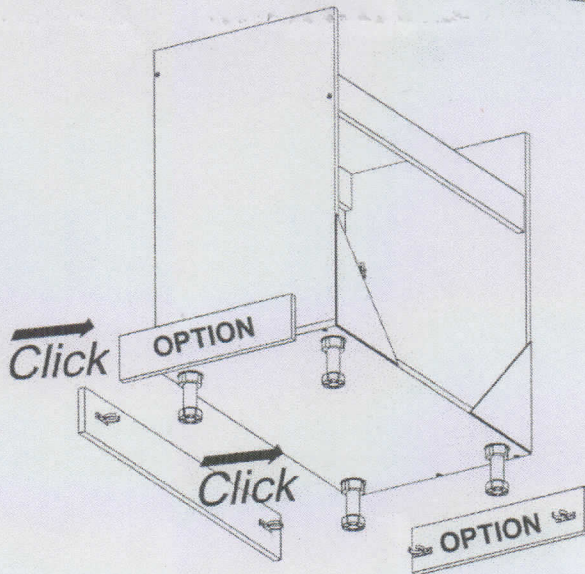
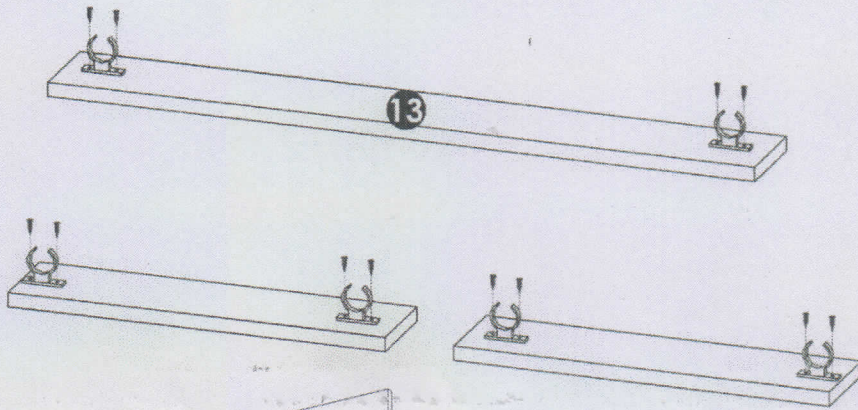
2 ▶



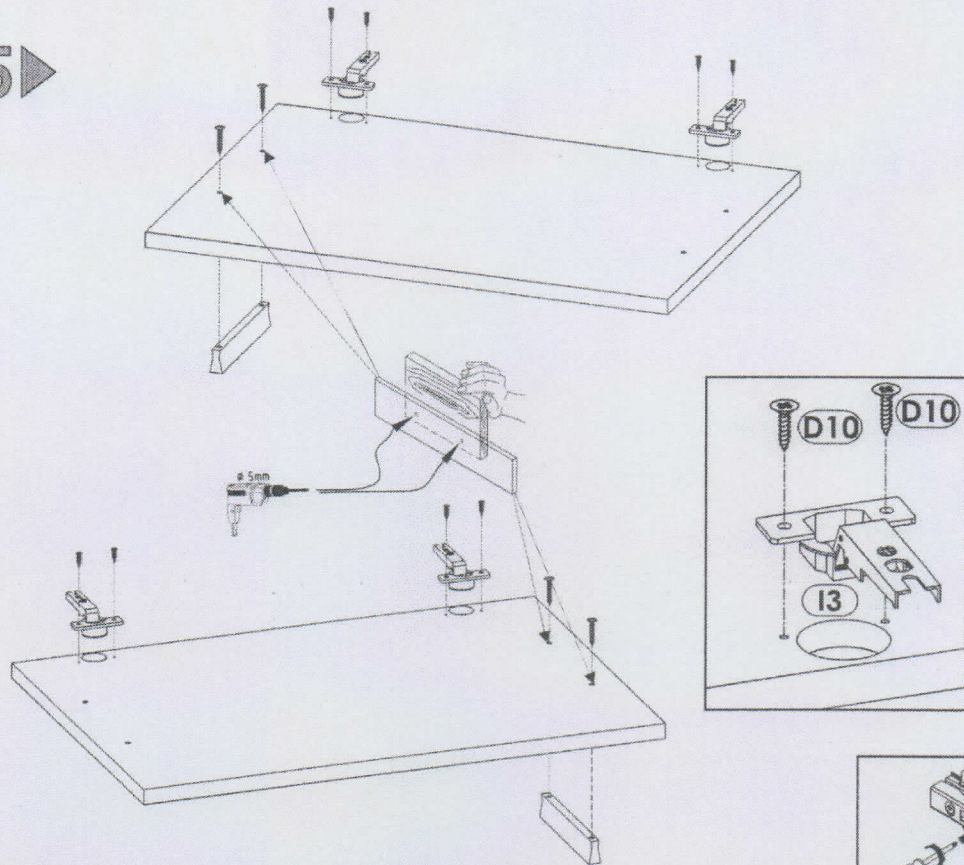
3▶



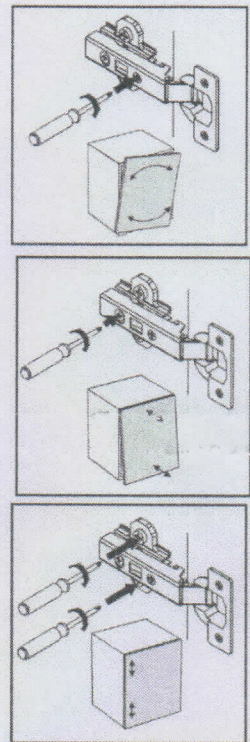
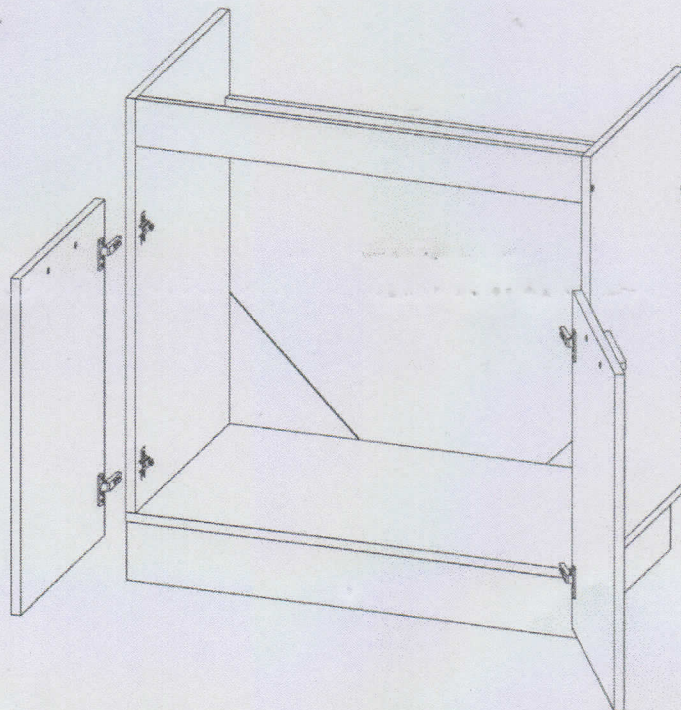
4▶



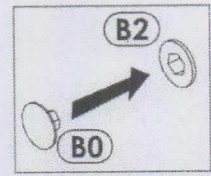
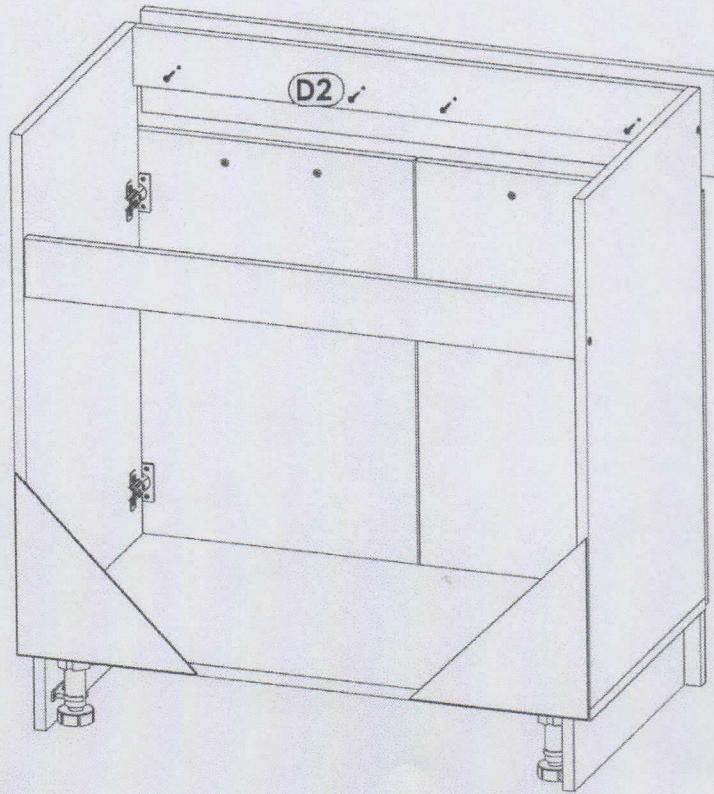
5 ▶



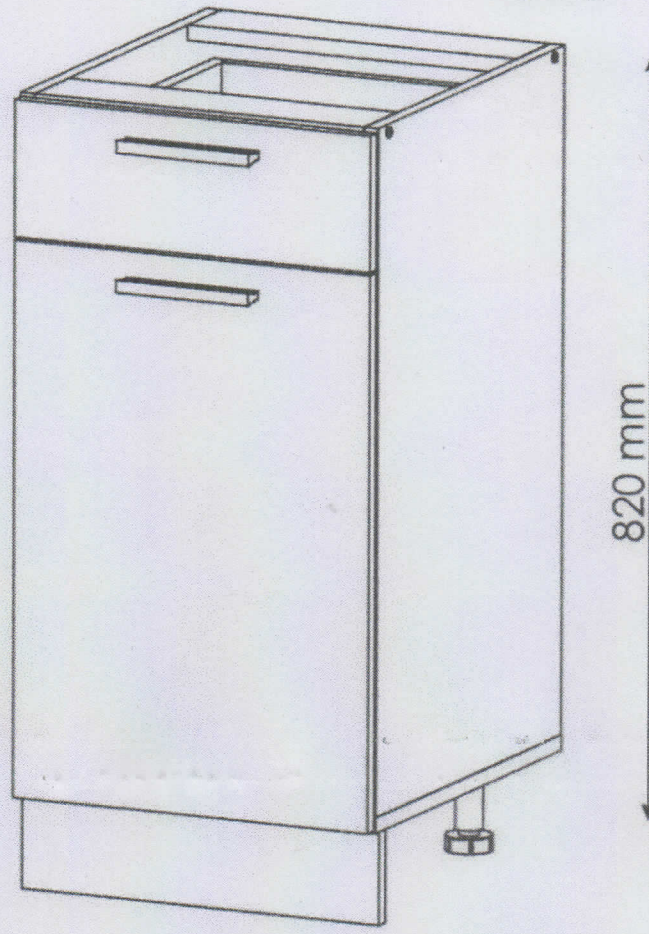
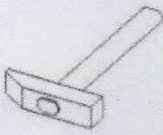
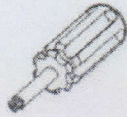
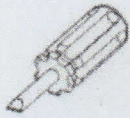
6 ▶



7▶

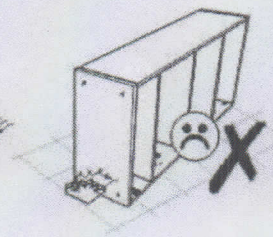
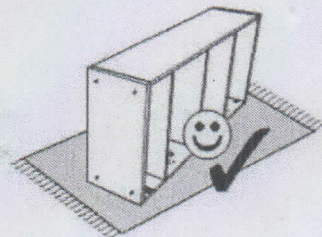
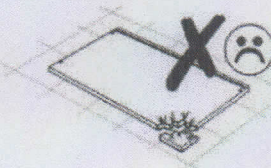
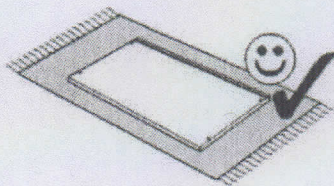


ALINA 300,400,500 lower cabinet


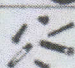



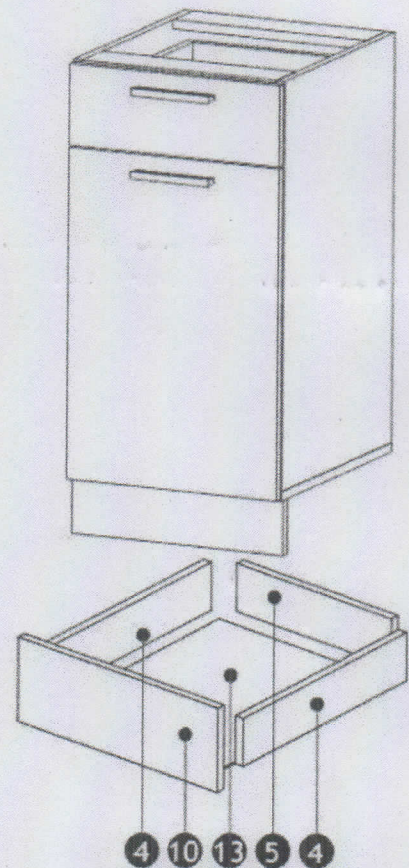
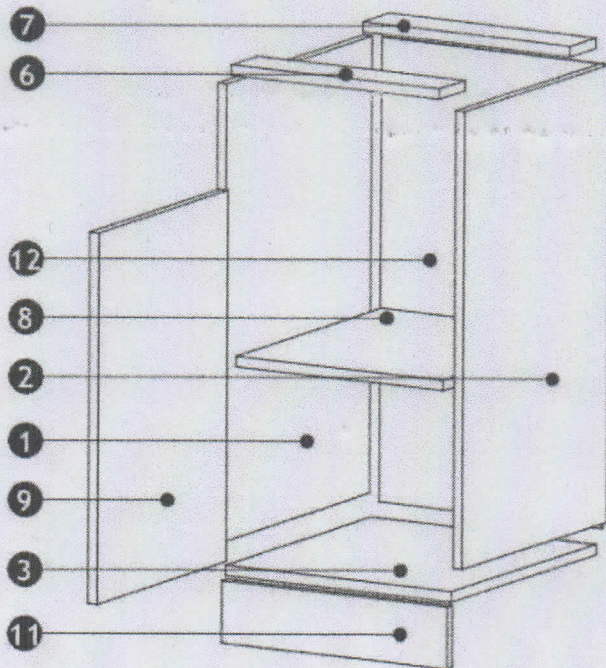
820 mm

300,400,500 mm 461 mm












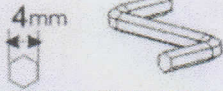
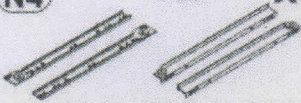
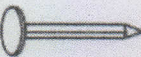





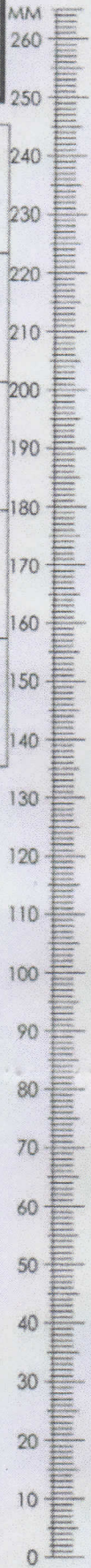
ALINA 300,400,500 lower cabinet

300					400					500				
①	704	445	16 x1	1/1	①	704	445	16 x1	1/1	①	704	445	16 x1	1/1
②	400	445	16 x1	1/1	②	400	445	16 x1	1/1	②	400	445	16 x1	1/1
③	299,5	445	16 x1	1/1	③	399,5	445	16 x1	1/1	③	499,5	445	16 x1	1/1
④	400	80	16 x2	1/1	④	400	80	16 x2	1/1	④	400	80	16 x2	1/1
⑤	209	80	16 x1	1/1	⑤	309	80	16 x1	1/1	⑤	409	80	16 x1	1/1
⑥	267	80	16 x1	1/1	⑥	367	80	16 x1	1/1	⑥	467	80	16 x1	1/1
⑦	267	80	16 x1	1/1	⑦	367	80	16 x1	1/1	⑦	467	80	16 x1	1/1
⑧	267	445	16 x1	1/1	⑧	367	445	16 x1	1/1	⑧	467	445	16 x1	1/1
⑨	296	570	16 x1	1/1	⑨	396	570	16 x1	1/1	⑨	496	570	16 x1	1/1
⑩	296	140	16 x1	1/1	⑩	396	140	16 x1	1/1	⑩	496	140	16 x1	1/1
⑪	299	95	16 x1	1/1	⑪	399	95	16 x1	1/1	⑪	499	95	16 x1	1/1
⑫	715	295	2,8x1	1/1	⑫	715	395	2,8x1	1/1	⑫	715	495	2,8x1	1/1
⑬	405	240	2,8x1	1/1	⑬	405	340	2,8x1	1/1	⑬	405	440	2,8x1	1/1
				1/1					1/1					1/1

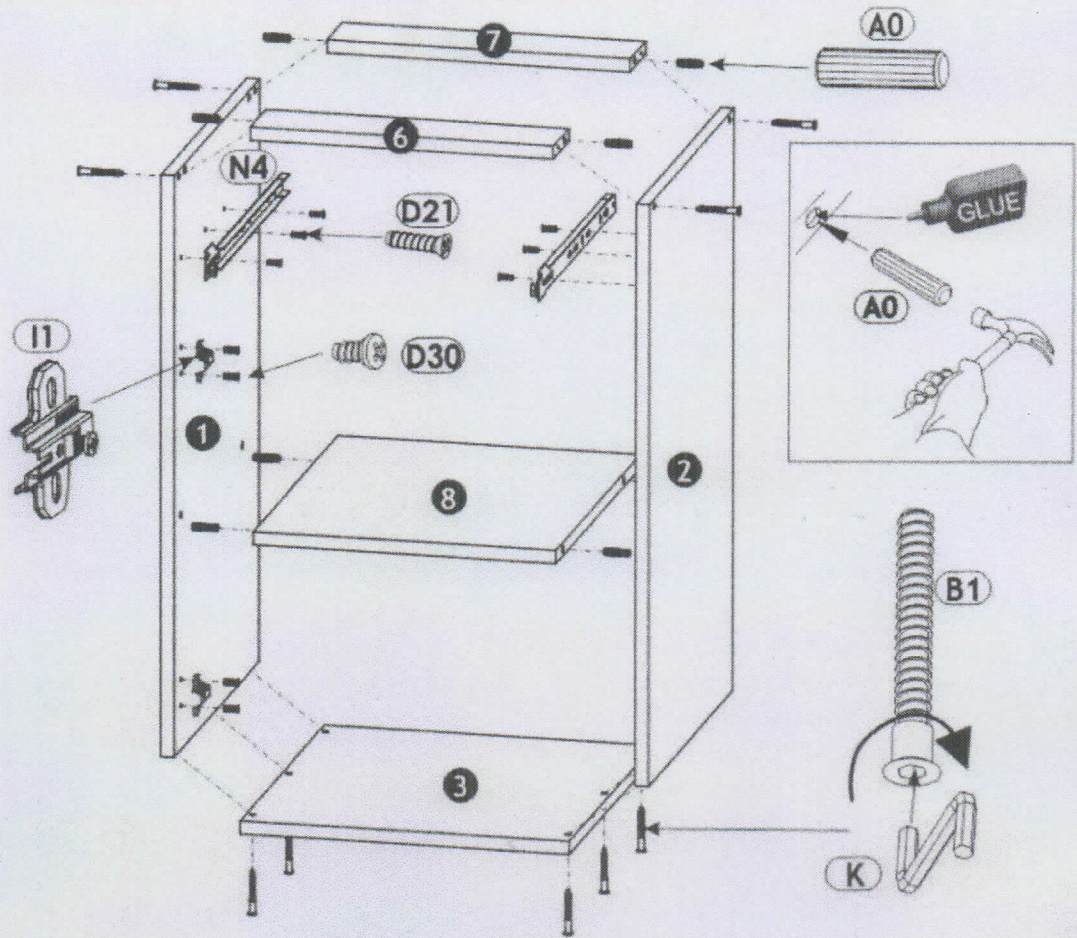


ALINA 300,400,500 lower cabinet

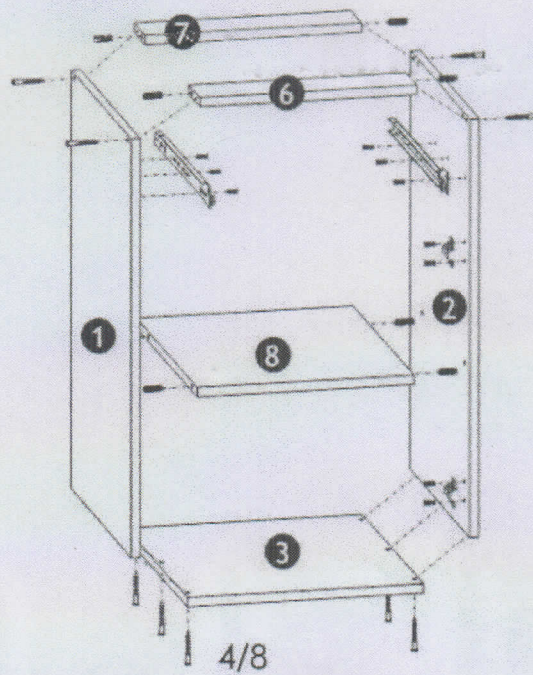
A0 8 x 32mm x12 	B1 f 7 x 50 mm x12 	B0 x2 
D0 3 x 15 mm x6 	D2 3 x 30 mm x4 	D10 4 x 16 mm x28 
D16 4.2 x 28 mm x4 	D21 5 x 13 mm x6 	D30 EURO 6.3 x 13 mm x4 
I1 x2 	I3 d 26mm x2 	K 4mm x1 
N4 L-400 x1 	T8 x80 	x2 
x4 	x4 	



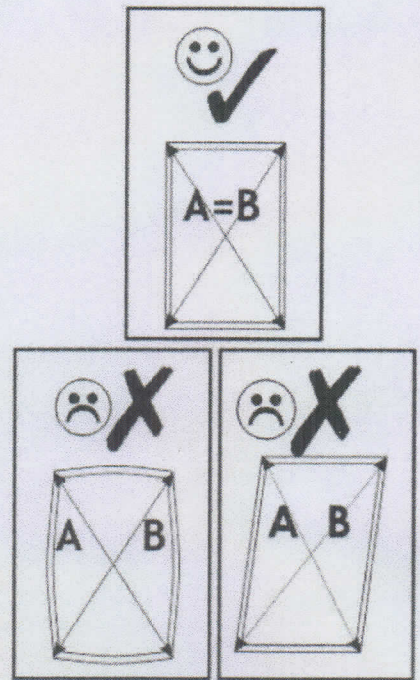
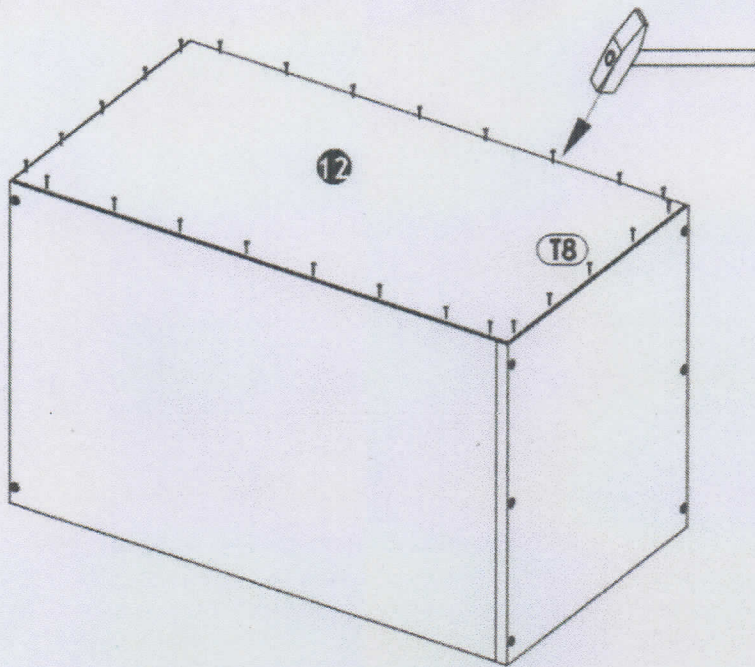
1▶L



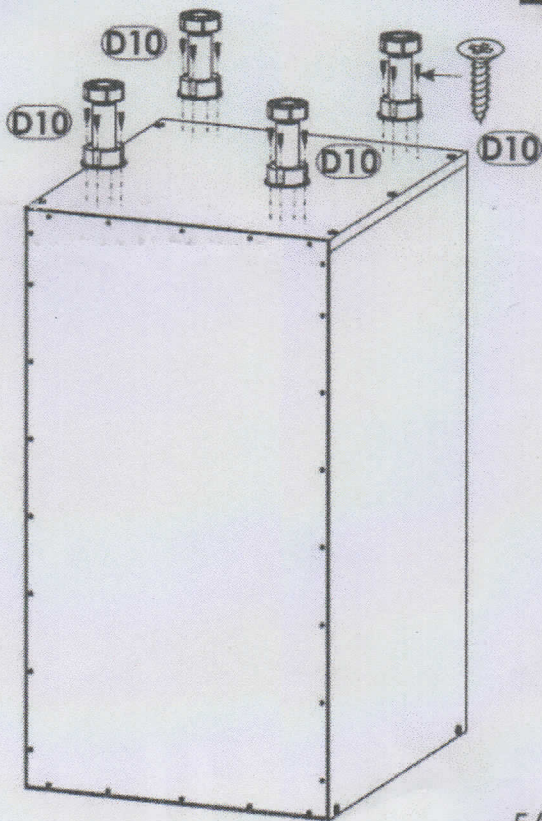
1▶R



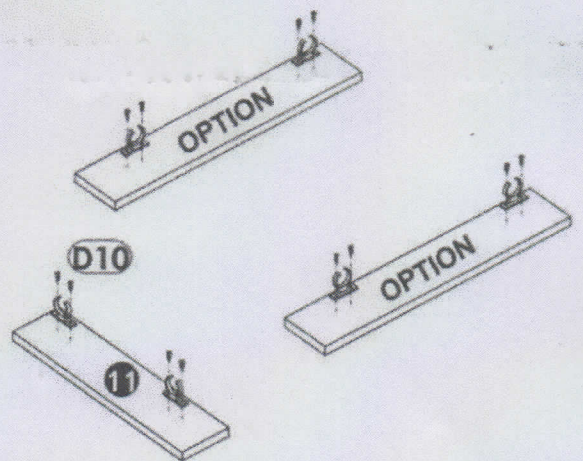
2 ▶



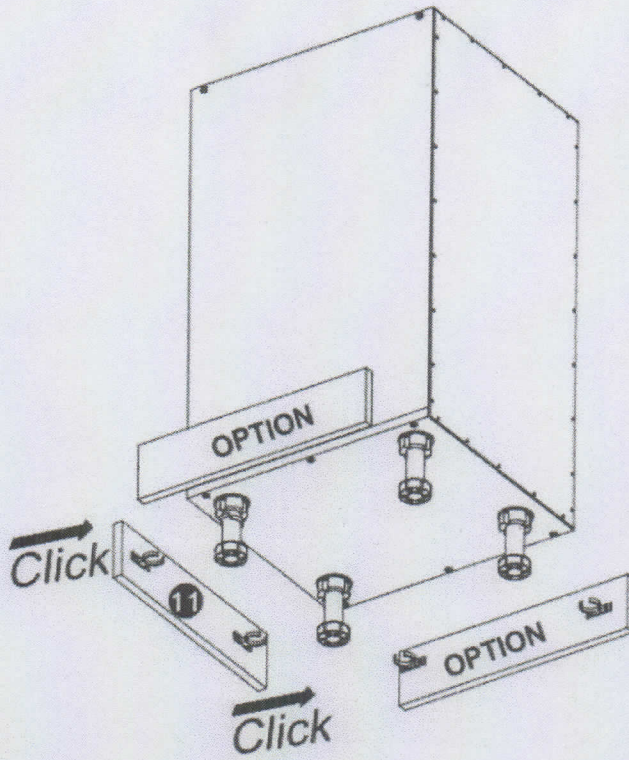
3 ▶



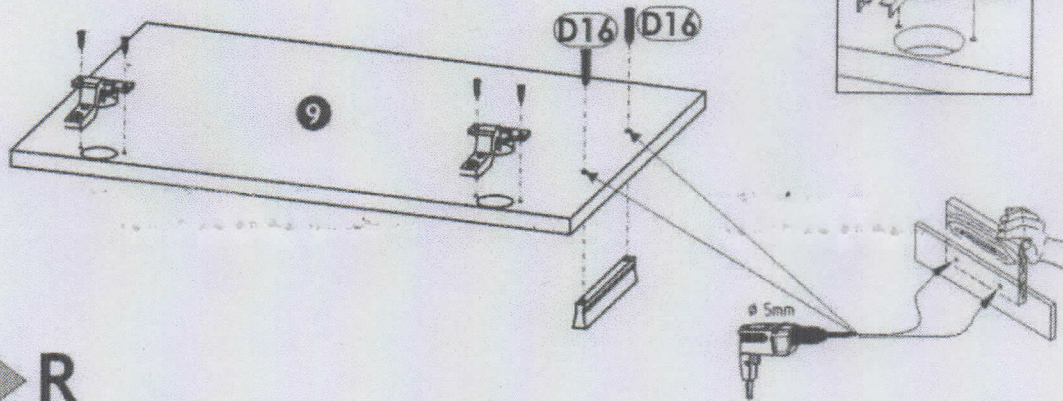
4 ▶



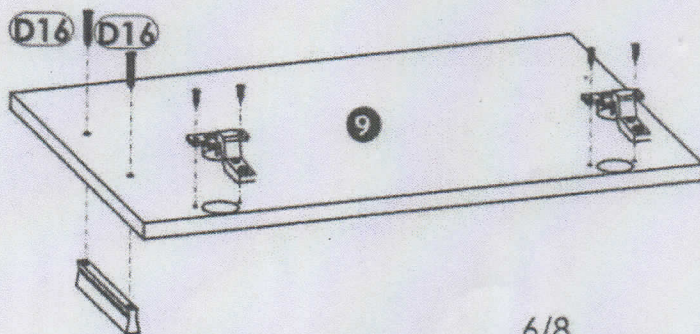
5 ▶



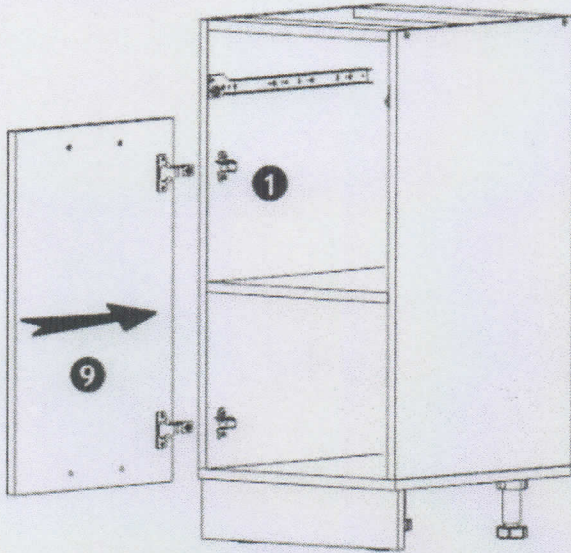
6 ▶ L



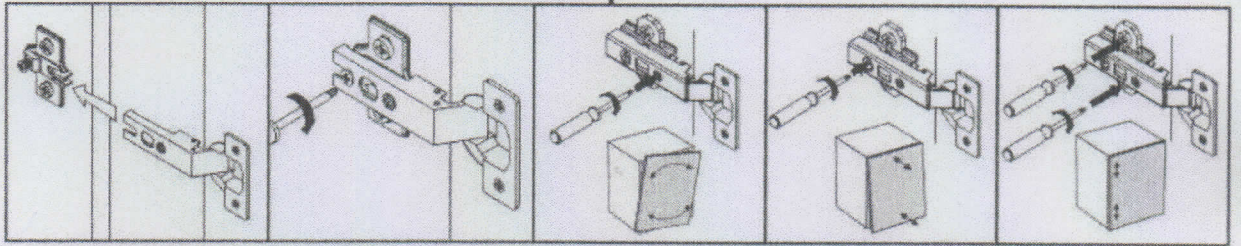
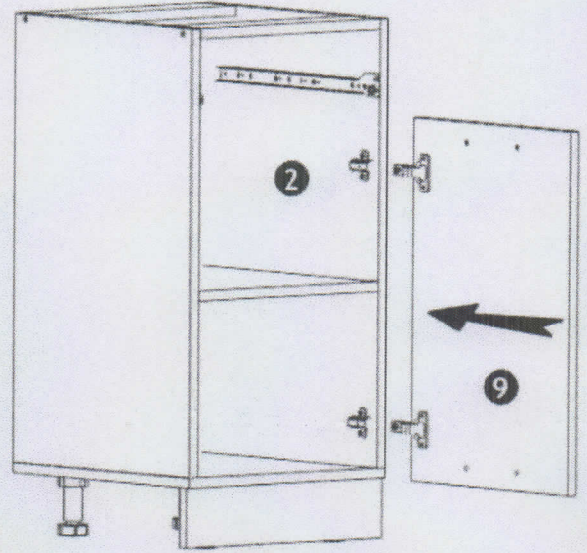
6 ▶ R



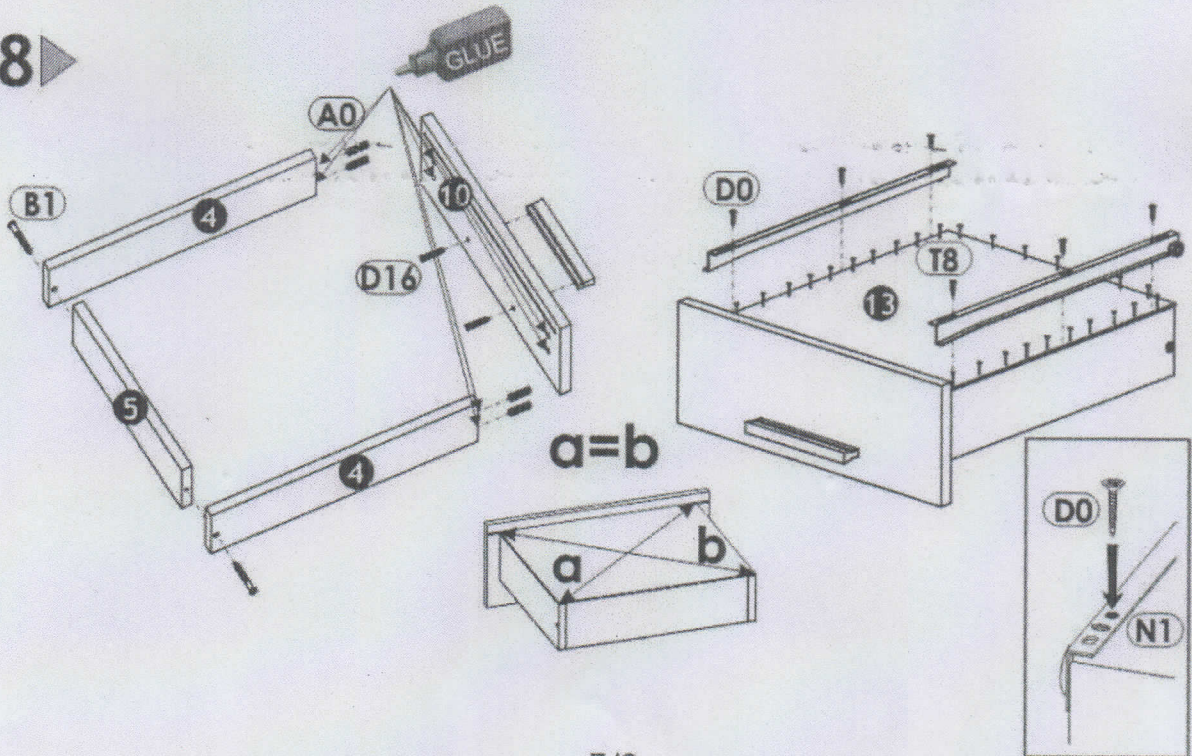
7▶L



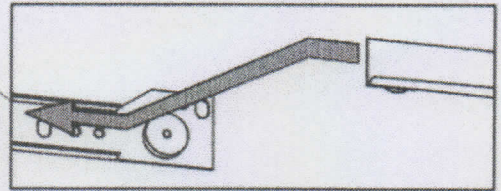
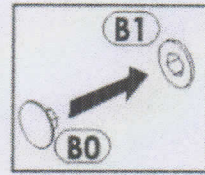
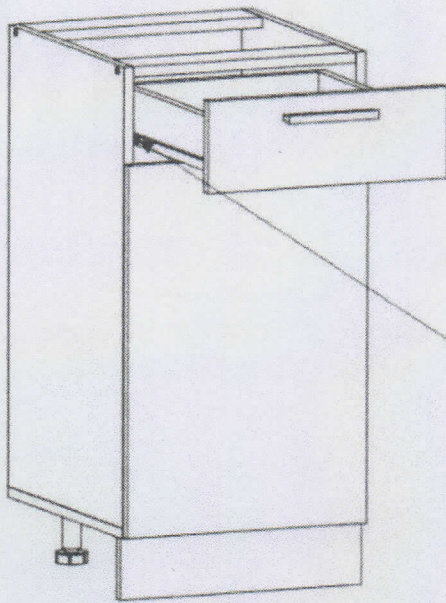
7▶R



8▶



9 ▶



10 ▶

