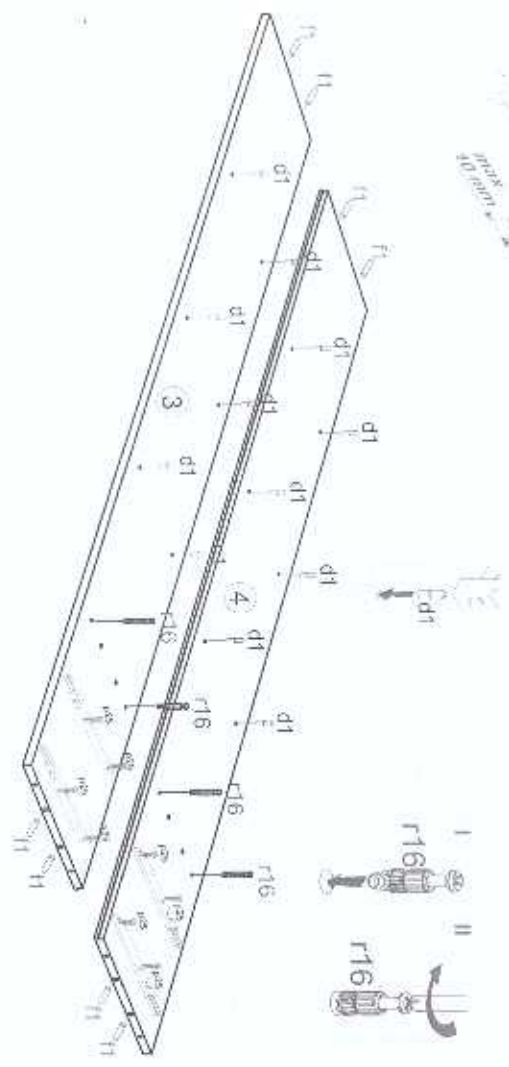
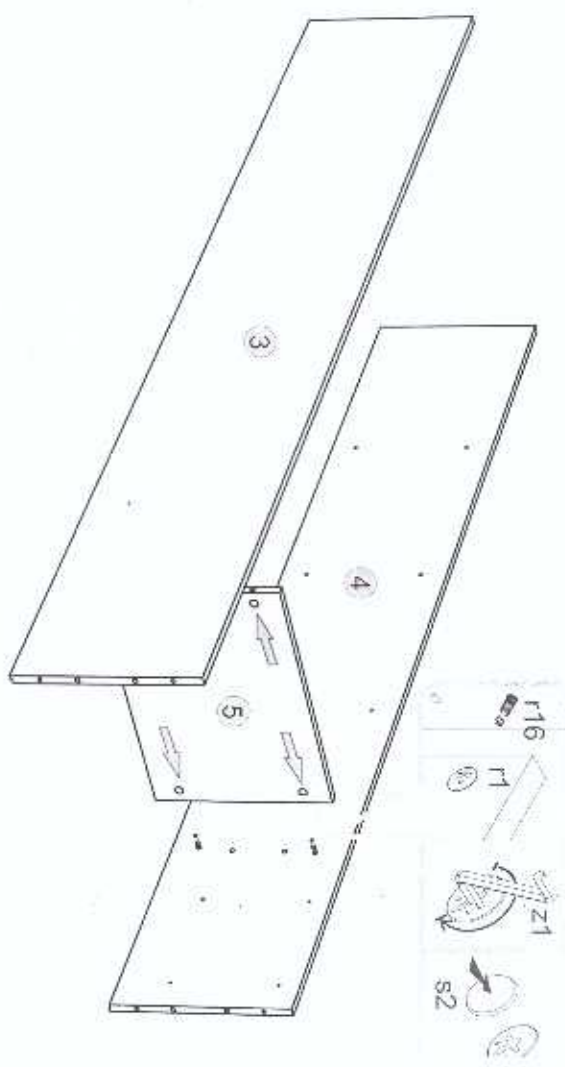




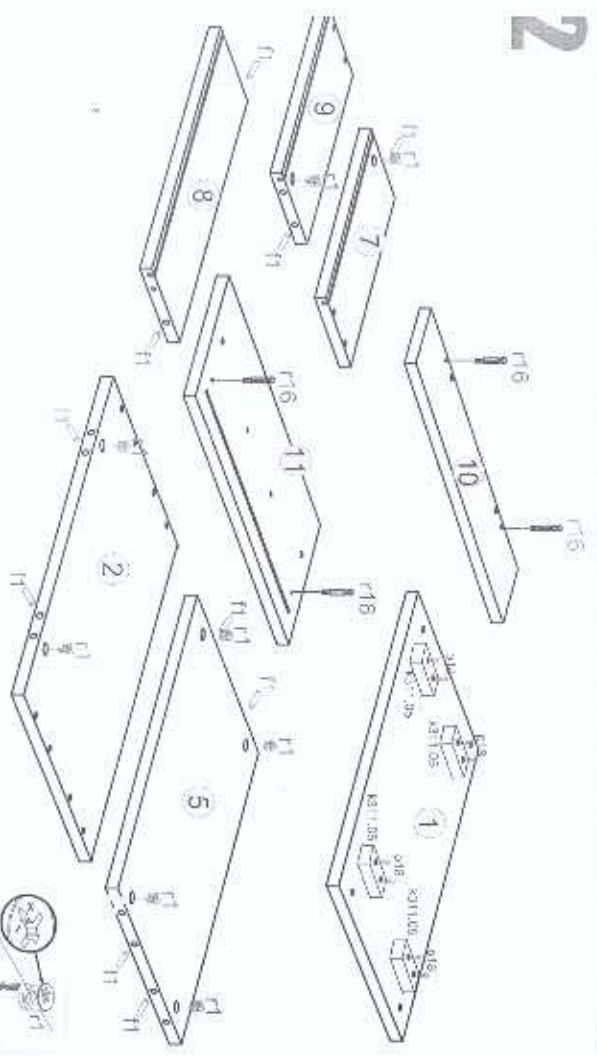
1



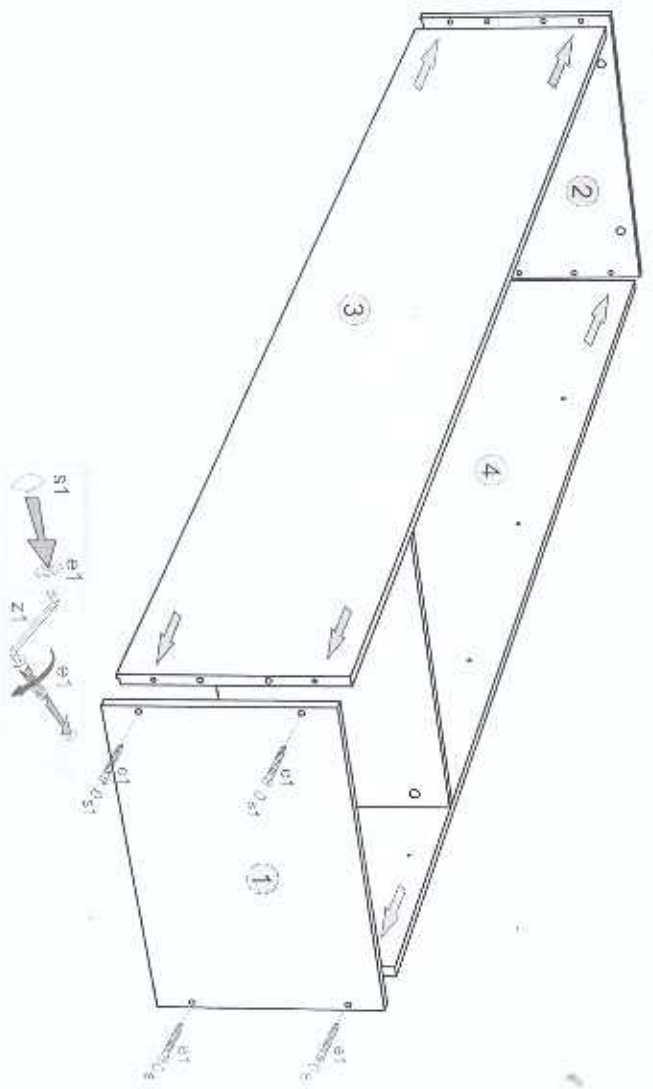
3

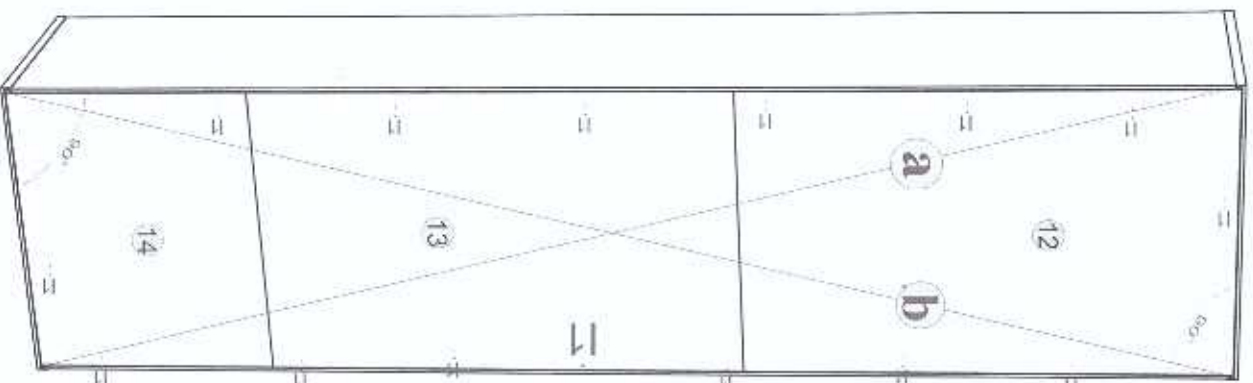
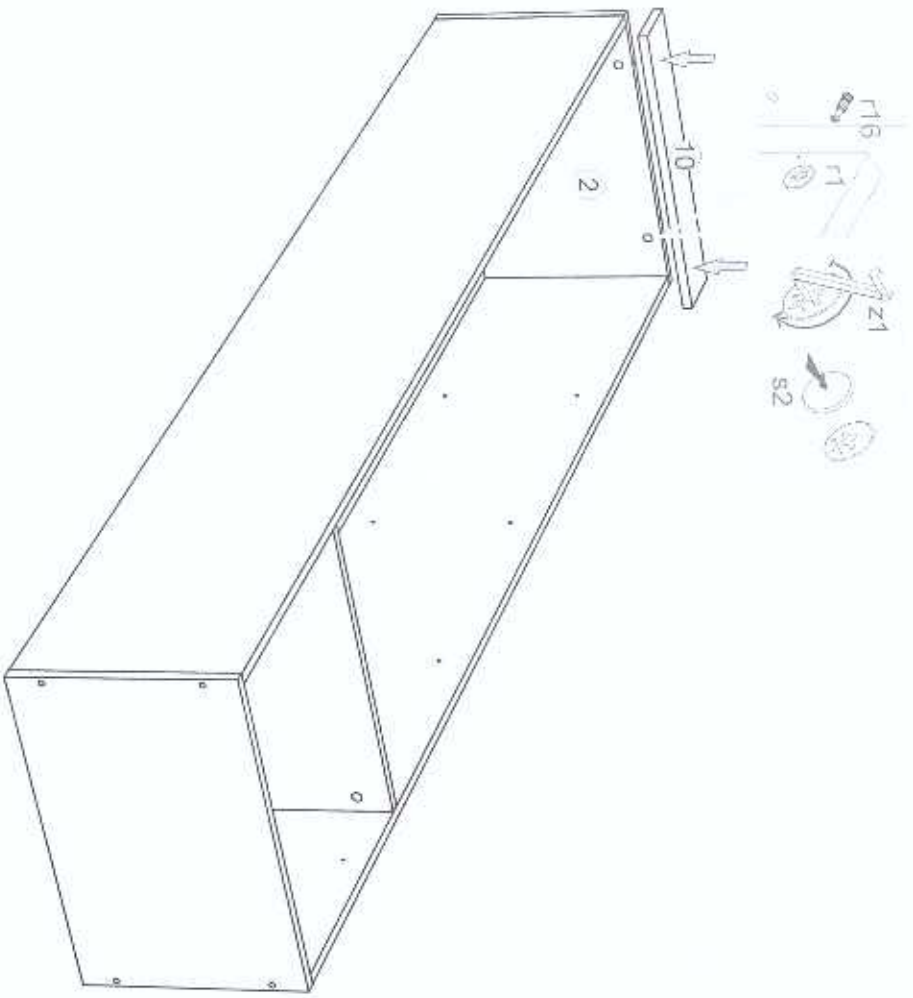


2



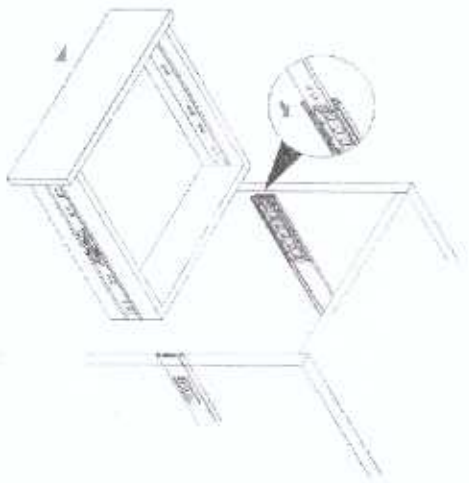
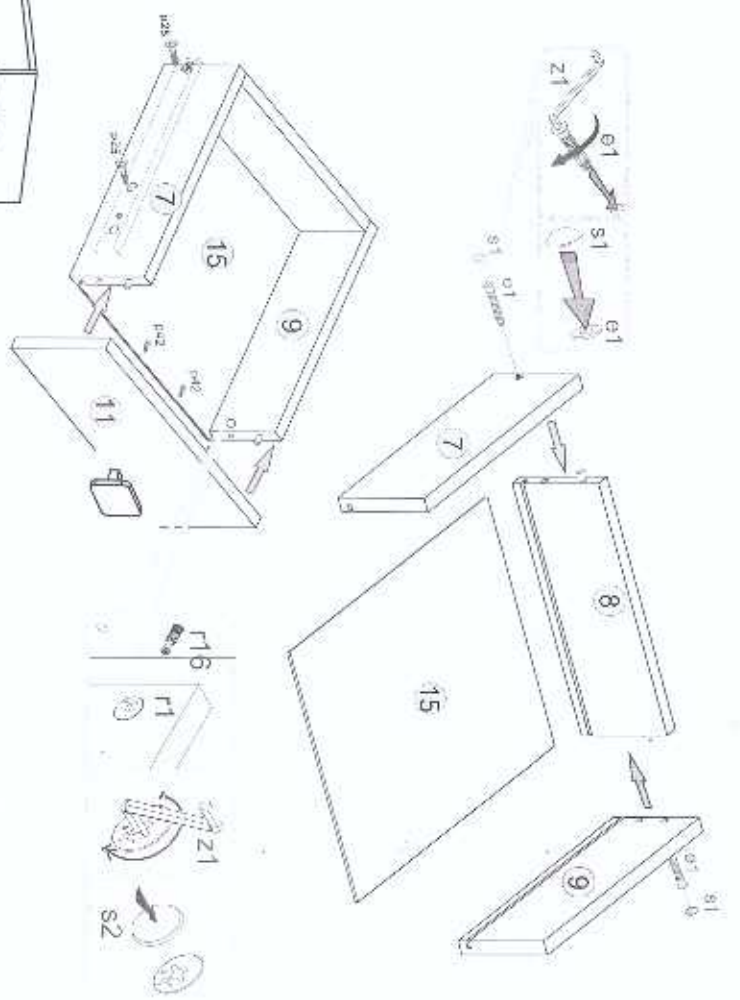
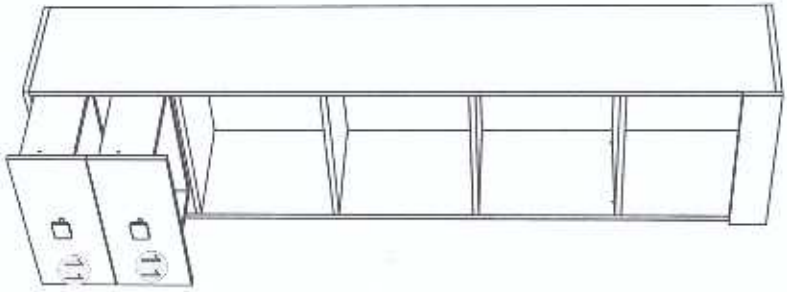
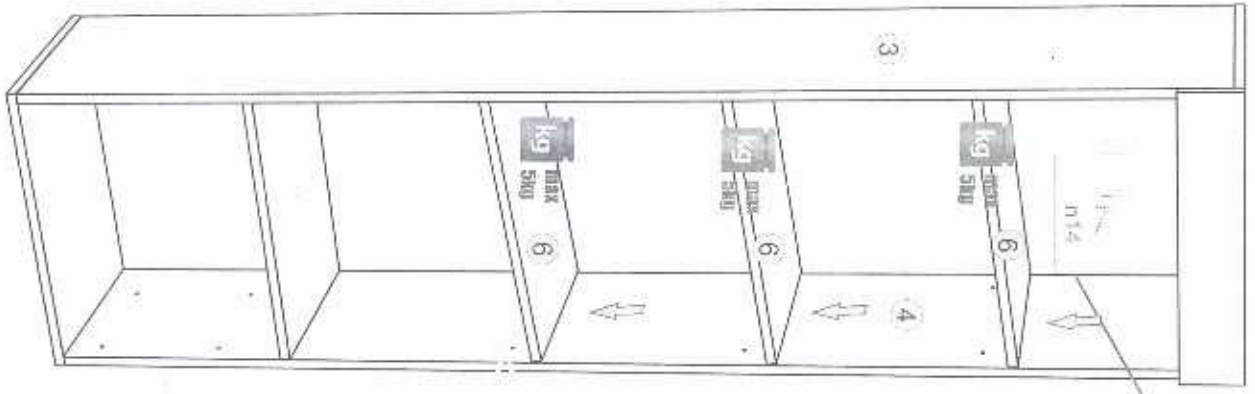
4





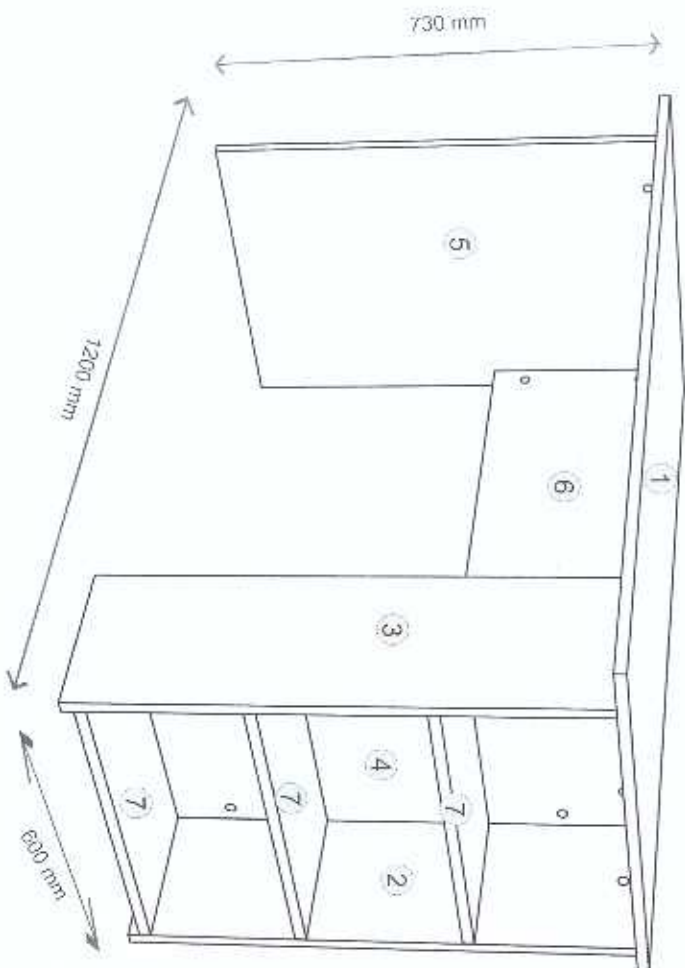
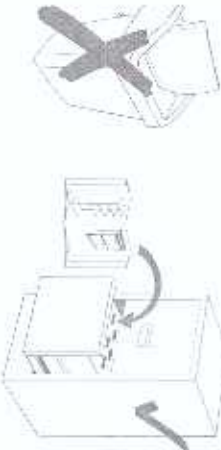
$a=b$



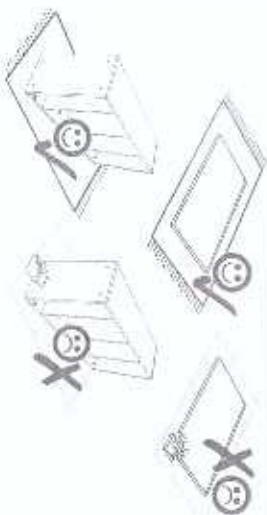


# Installation manual

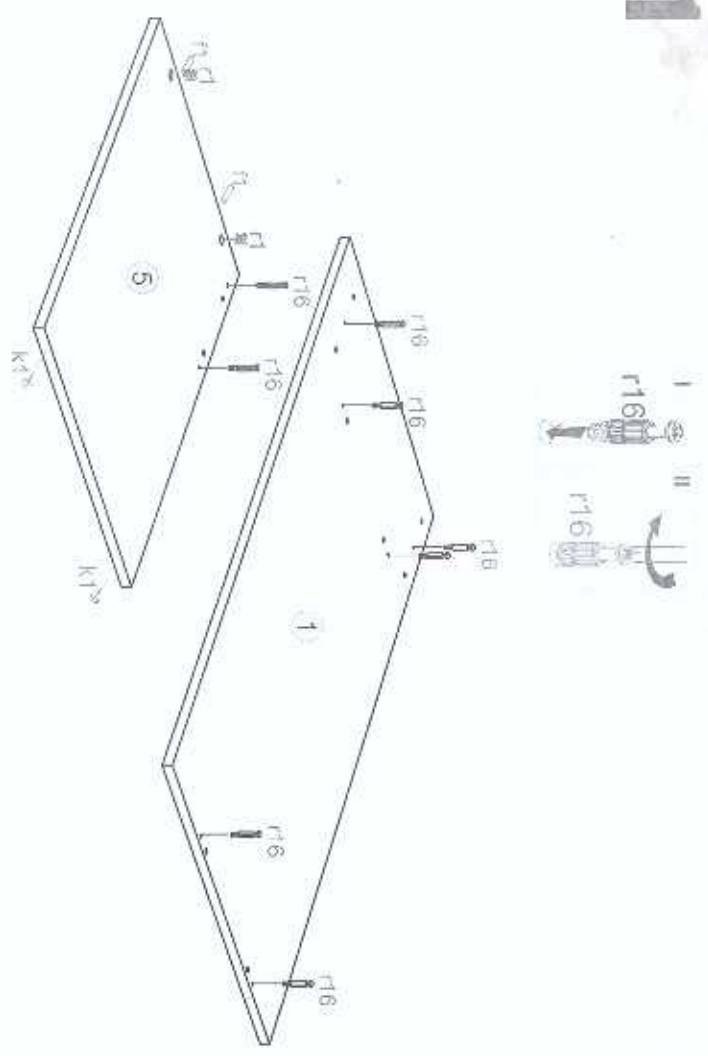
PAMP: Writing table



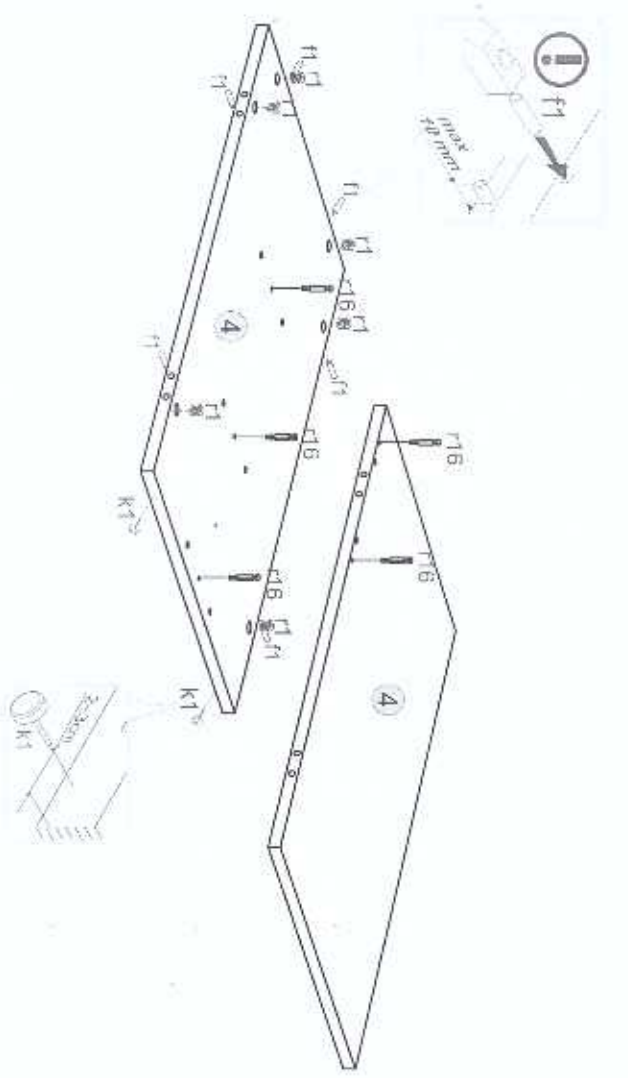
Element symbol	Dimensions	Code	Package
1	1200   600   16	BIURKO.001	1/1
2	708   228   16	BIURKO.002	1/1
3	708   228   16	BIURKO.003	1/1
4	708   468   16	BIURKO.005	1/1
5	708   500   16	BIURKO.008	1/1
6	300   947   16	BIURKO.007	1/1
7	468   210   16	BIURKO.004	1/1



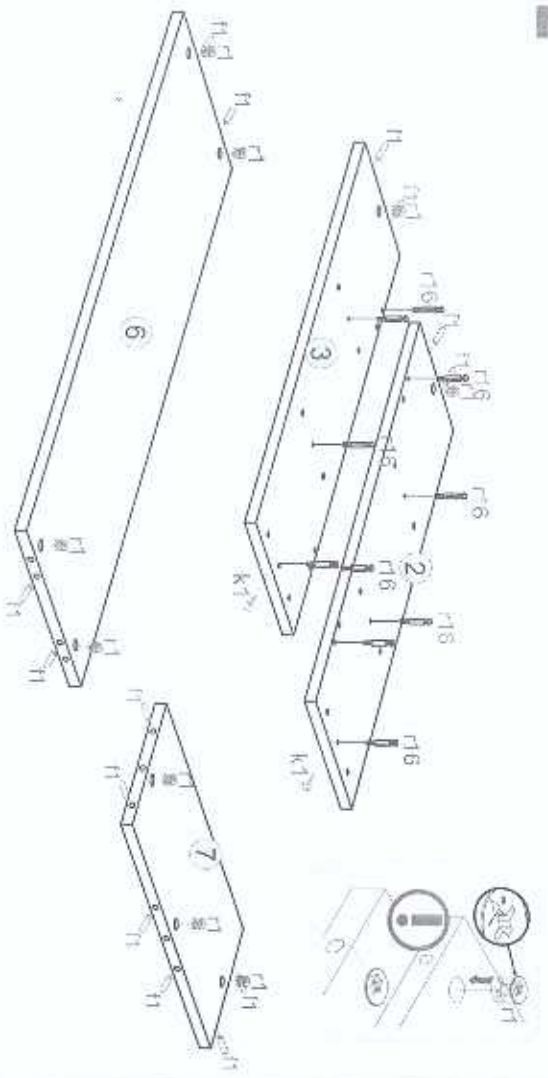
1



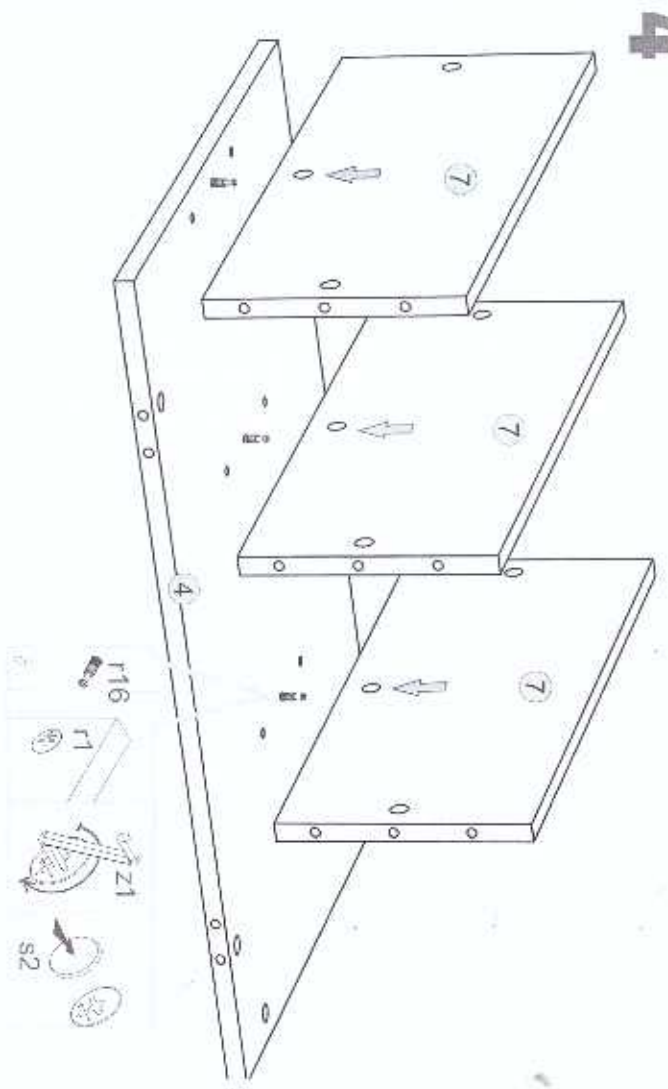
3



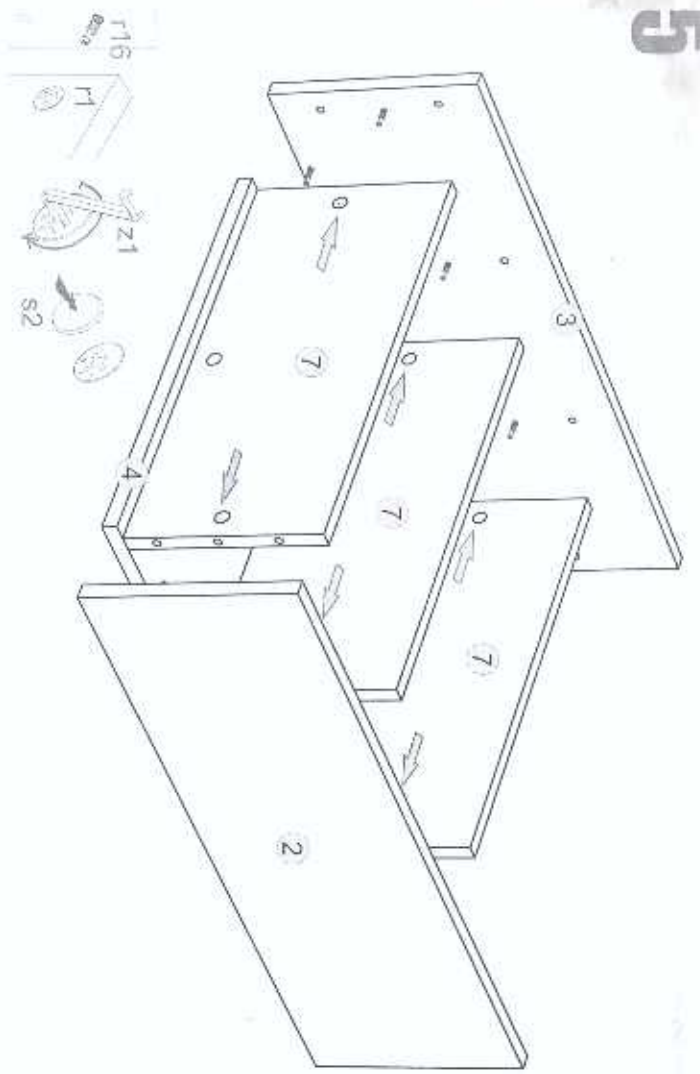
2



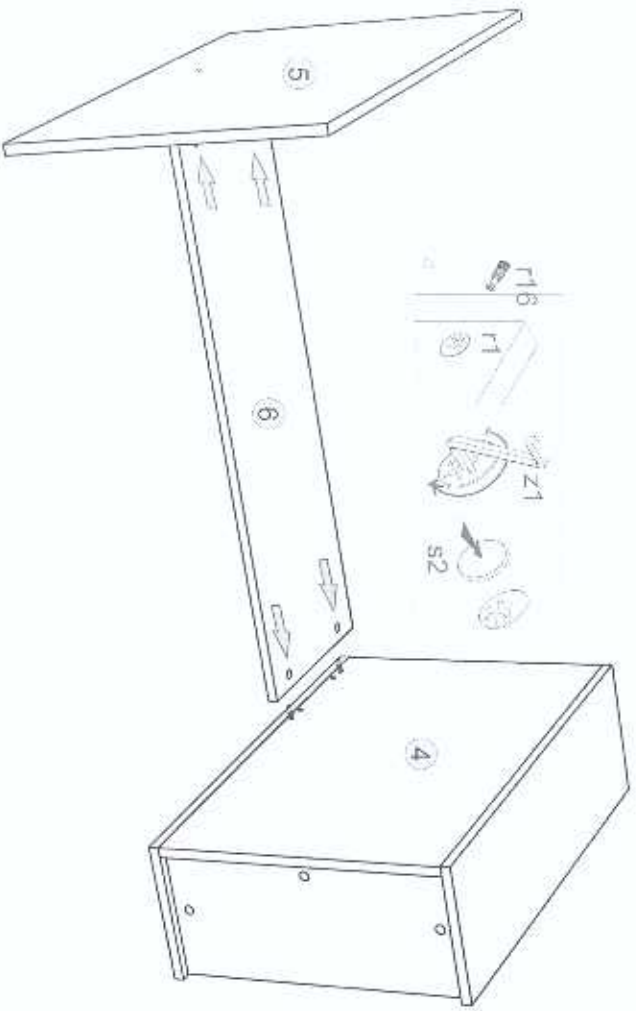
4



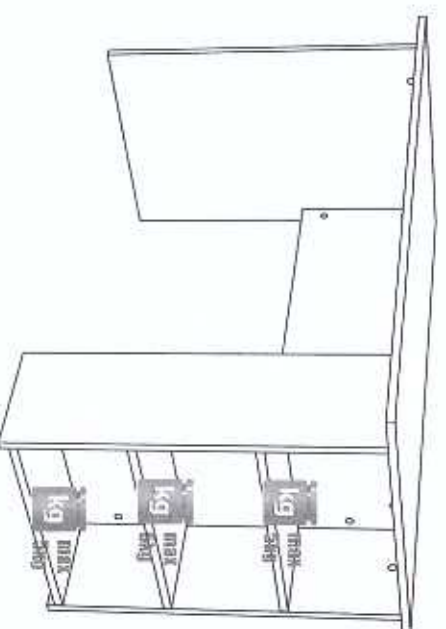
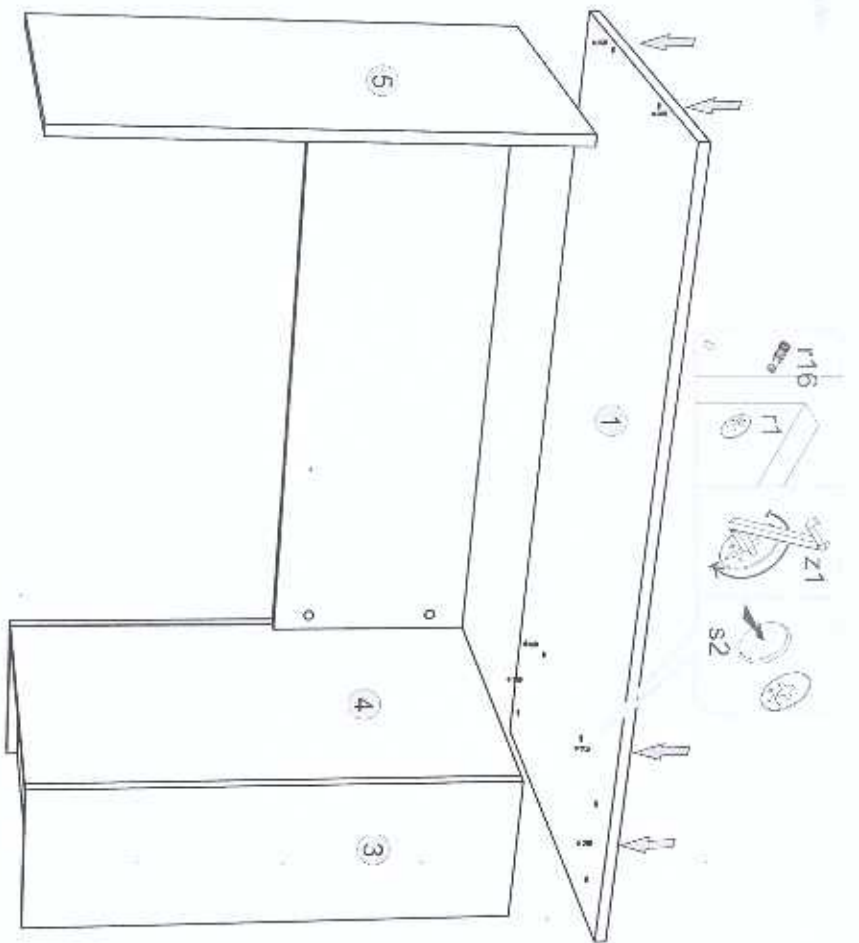
5



6



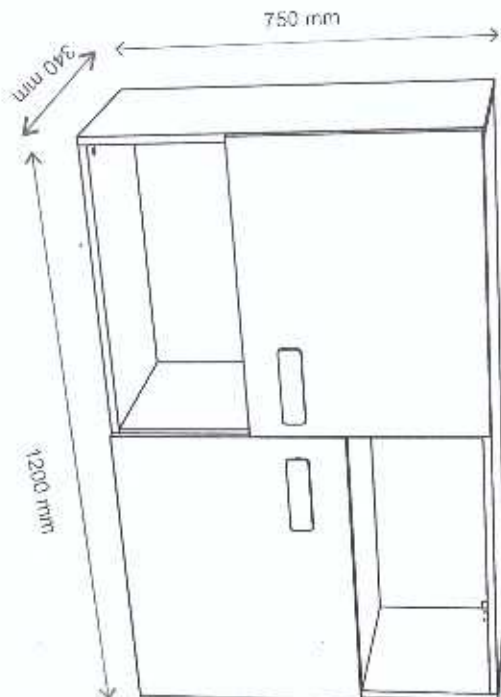
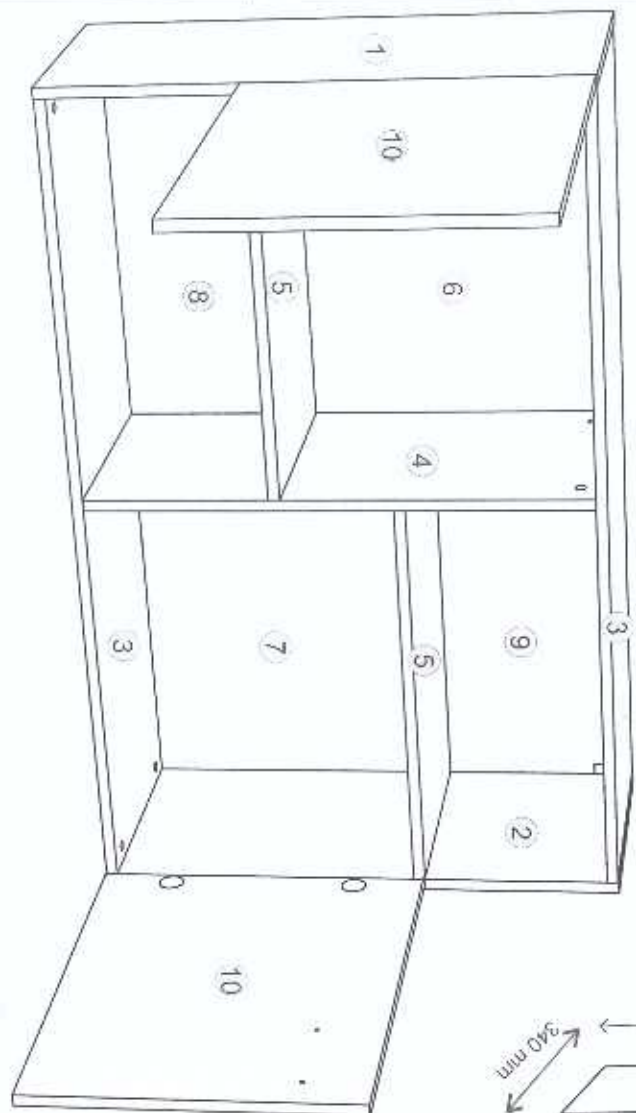
7





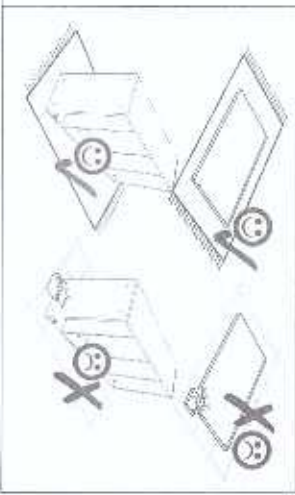
# Installation manual

PAMP: Mounted cabinet

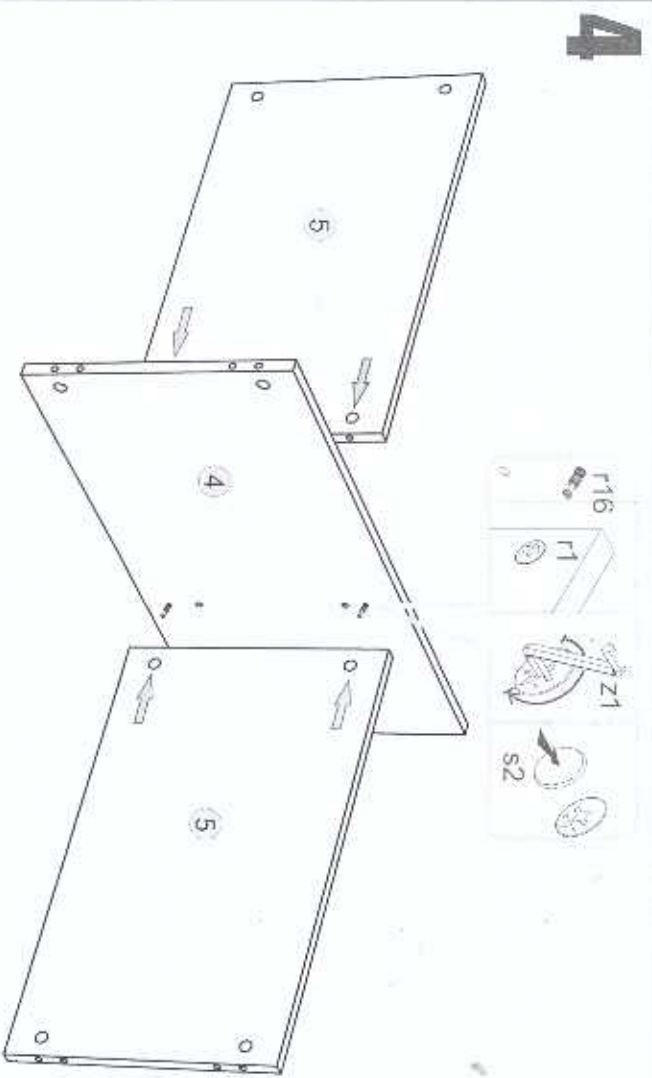
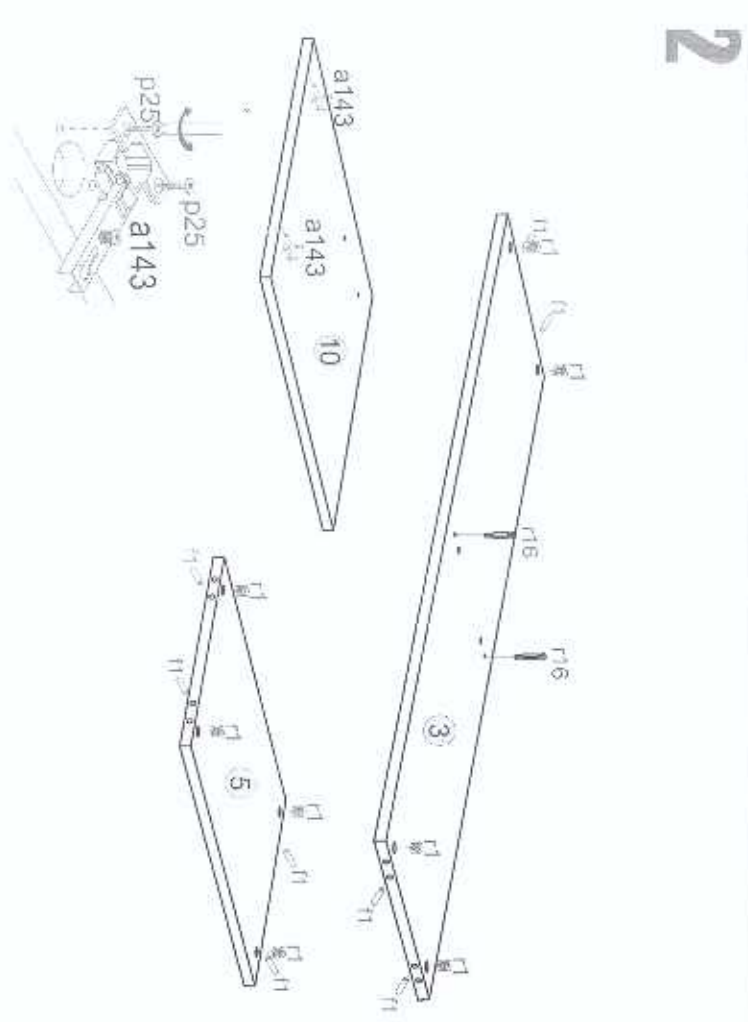
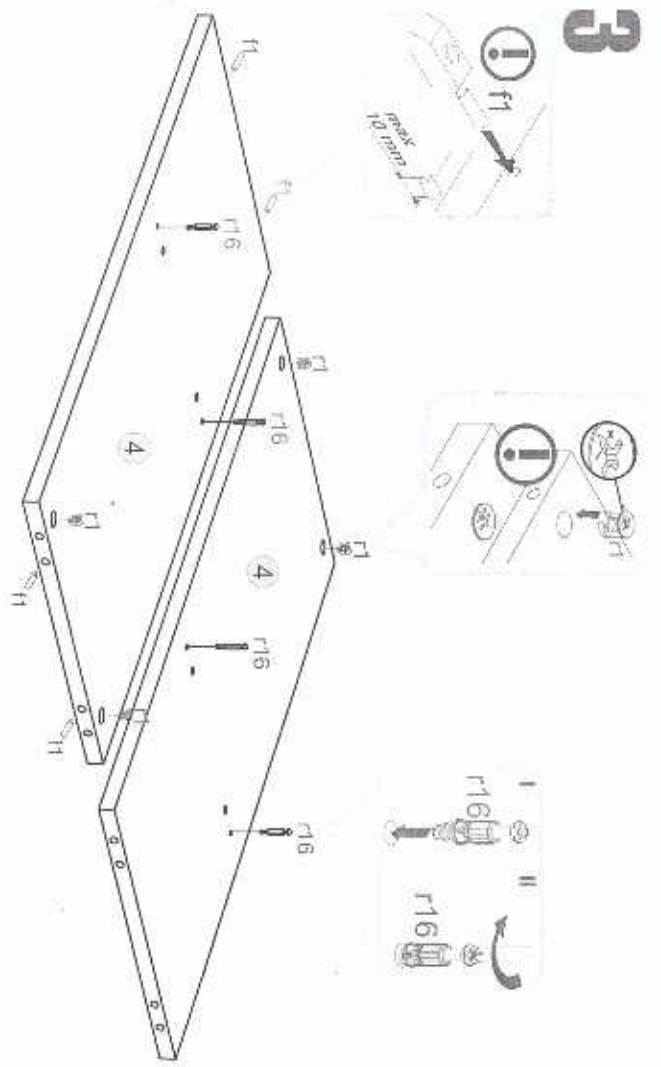
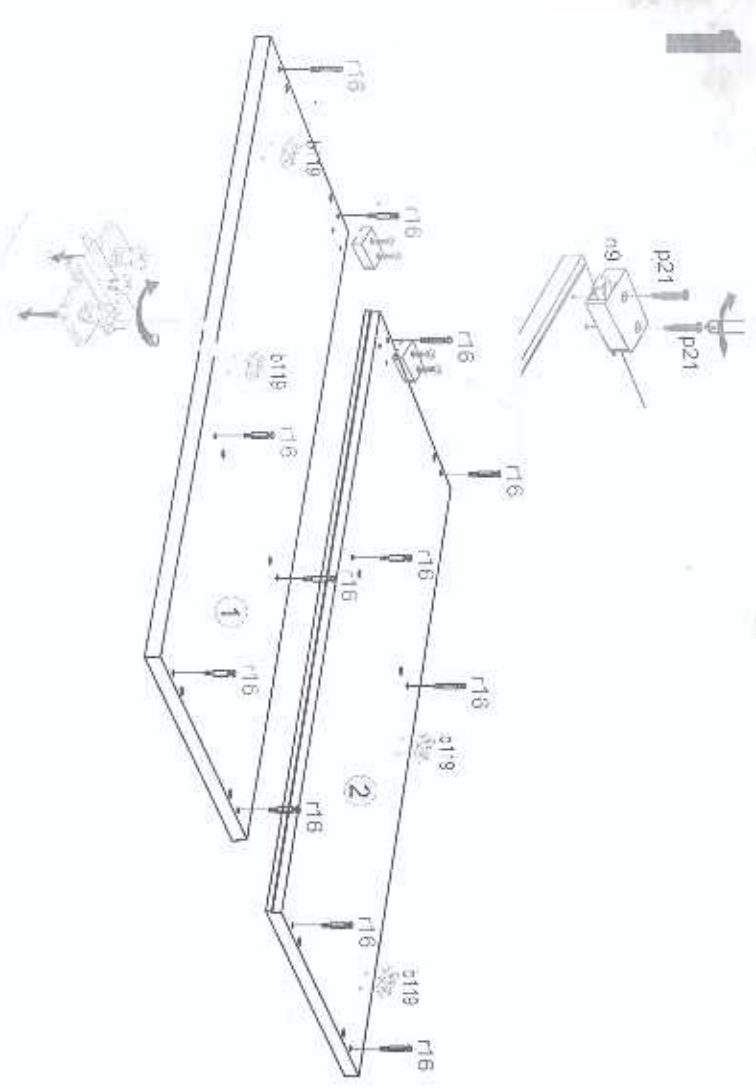


Element symbol	Dimensions	Code	Package
1	750   344   16	1 SZFK_WISZ_2J.036	1/1
2	750   344   16	1 SZFK_WISZ_2J.037	1/1
3	1168   344   16	2 SZFK_WISZ_2J.039	1/1
4	716   341   16	1 SZFK_WISZ_2J.070	1/1
5	576   341   16	2 SZFK_WISZ_2J.071	1/1
6	454   593   3	1 SZFK_WISZ_2J.002	2/2
7	454   593   3	1 SZFK_WISZ_2J.003	2/2
8	280   593   3	1 SZFK_WISZ_2J.077	2/2
9	280   593   3	1 SZFK_WISZ_2J.078	2/2
10	467   598   16	2 SZFK_WISZ_2J.072	2/2

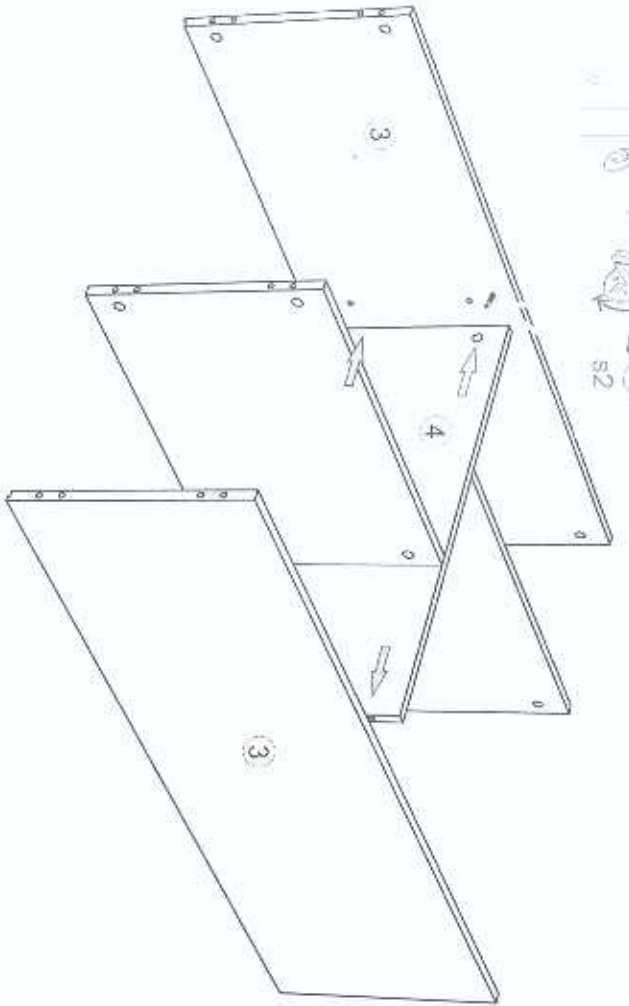
80x 2x 11 086G30128	4x 4x p21	2x n9	8x P25	2x p29	2x f3	1x z1	4x d52
4x p42	4x b119	4x a144	20x r1	20x r16	20x s2	24x f1	



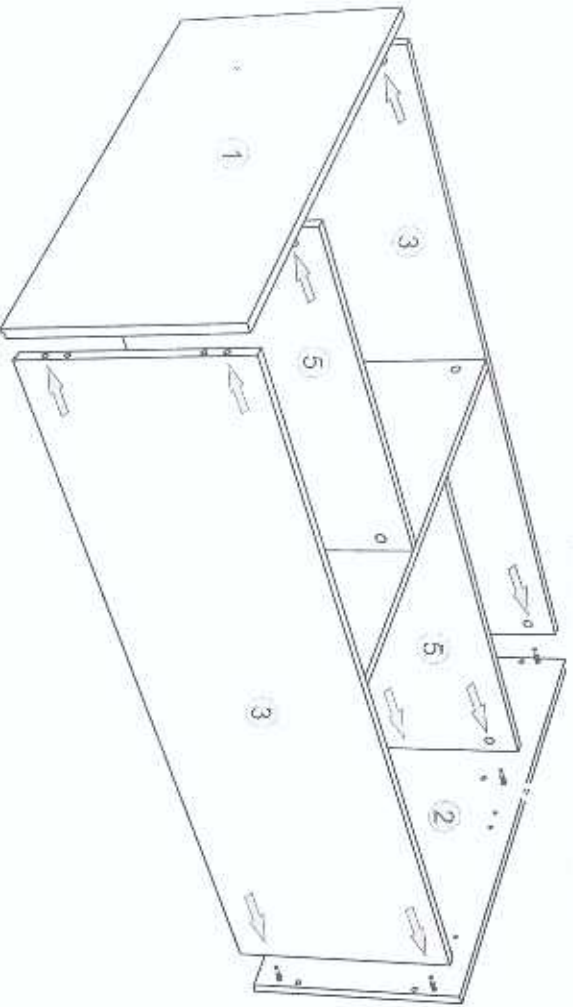




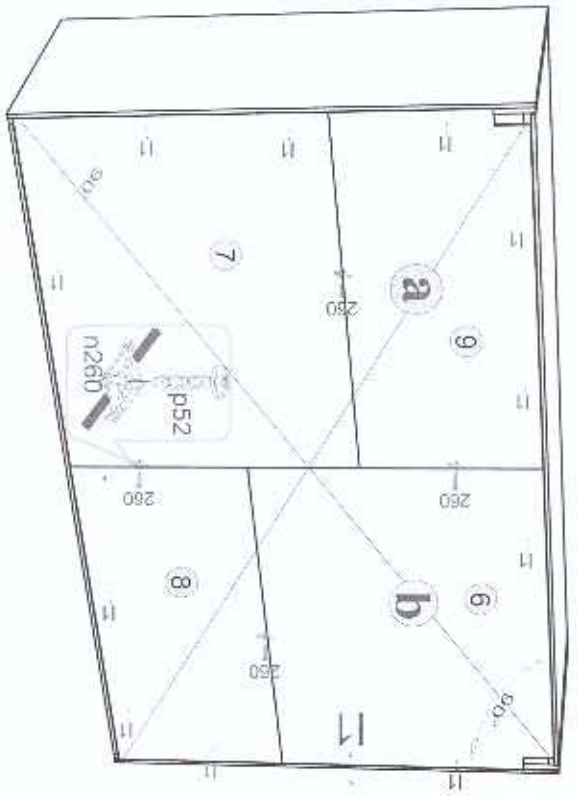
5



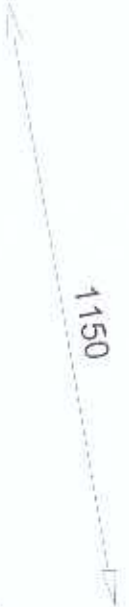
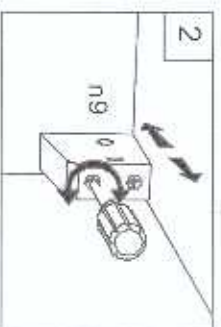
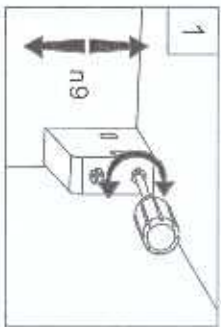
6



7



a=b

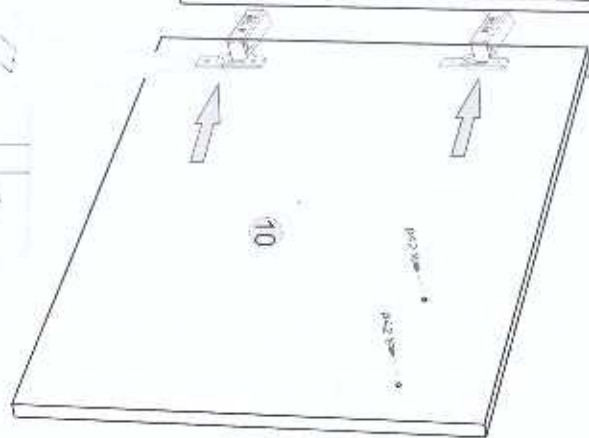
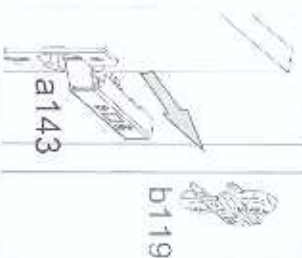
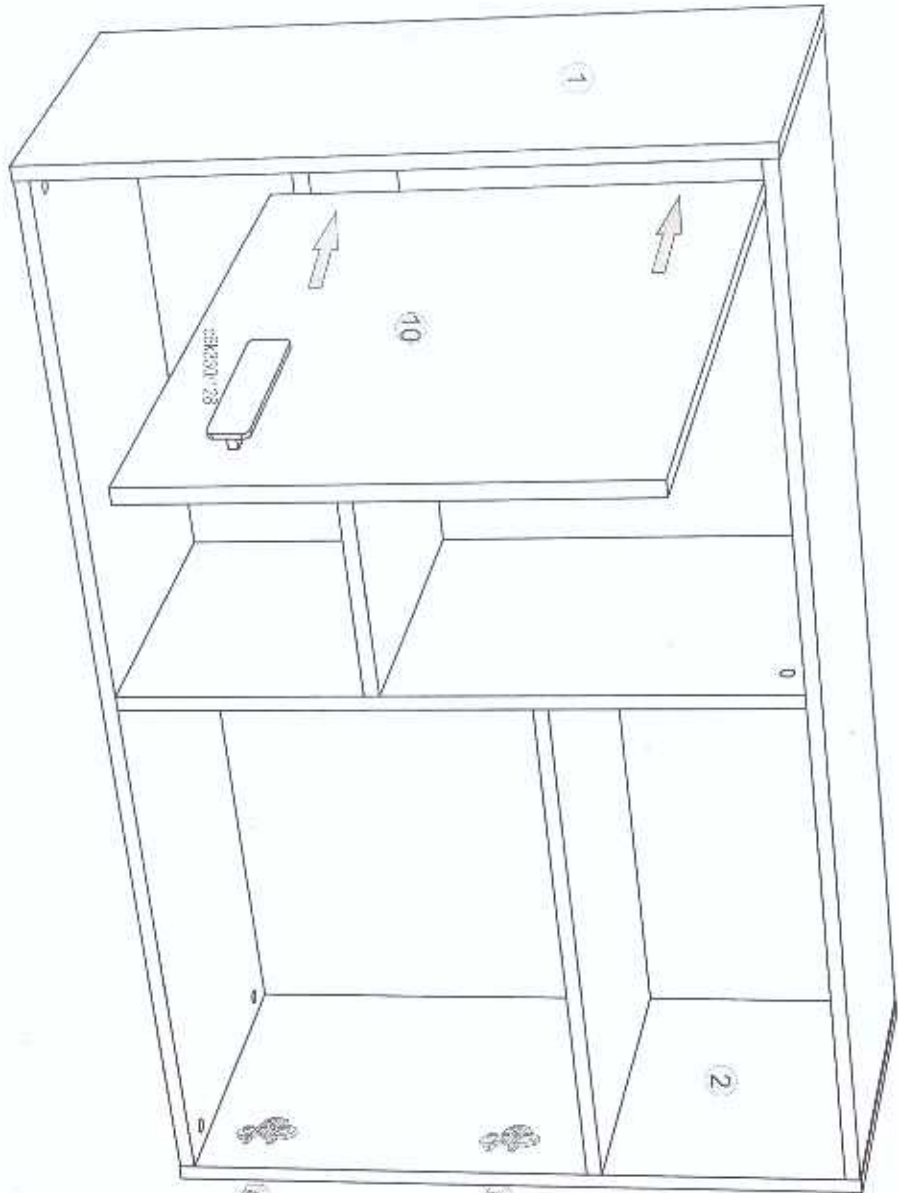


f3

p29

f3

p29

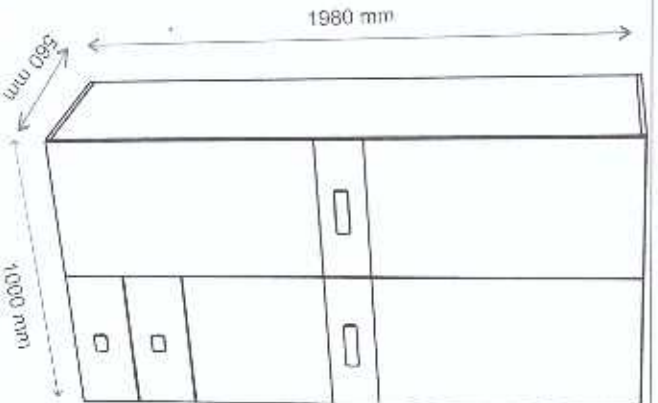
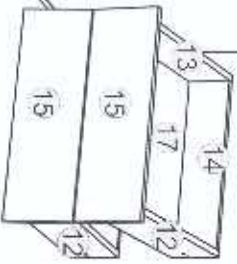
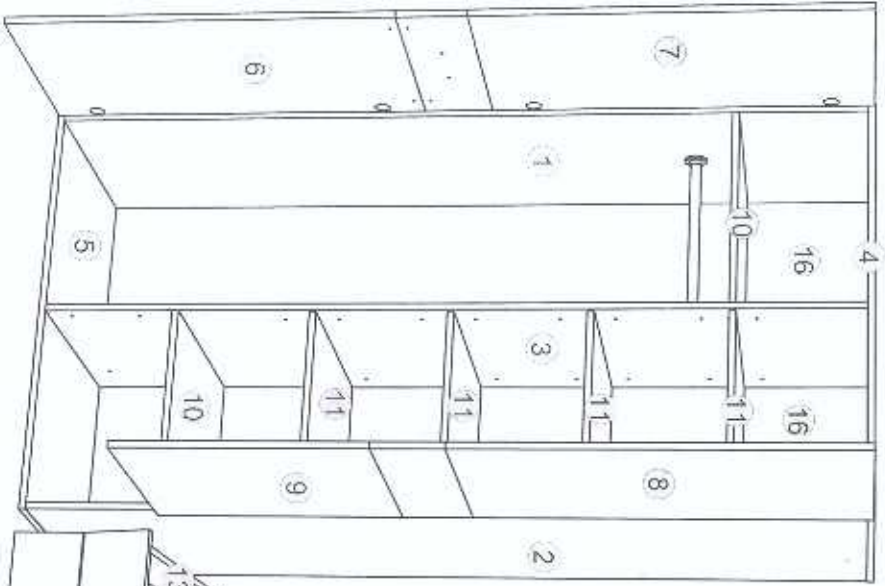
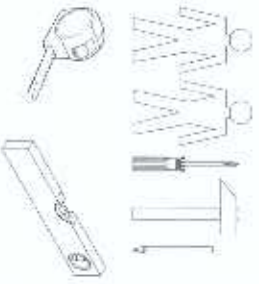




# Installation manual

PAMP

Wardrobe 2D2S

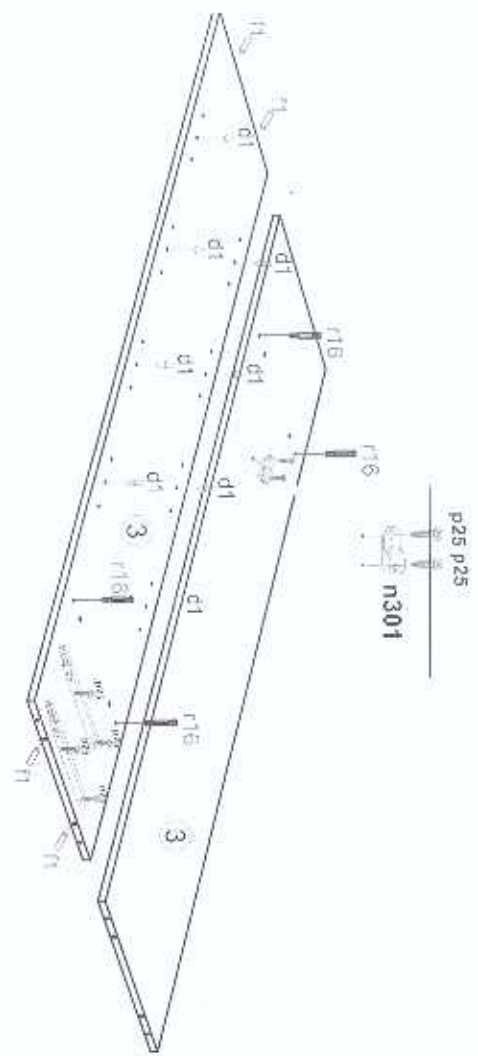
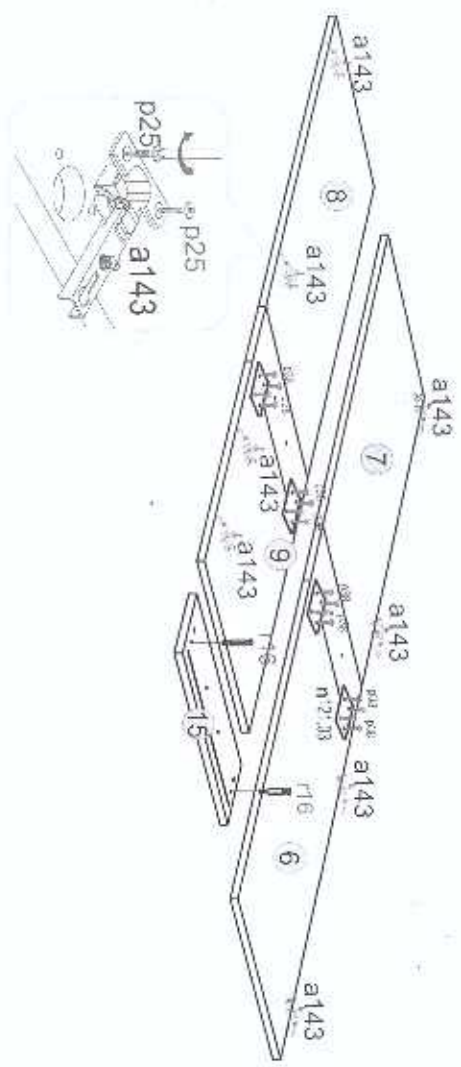


Element symbol	Dimensions	Code	Package
1	1928 544 16 1	SZF 2D2S.001	1/1
2	1928 544 16 1	SZF 2D2S.002	1/1
3	1928 541 16 1	SZF 2D2S.003	1/1
4	1000 544 16 1	SZF 2D2S.004	2/2
5	1000 544 16 1	SZF 2D2S.005	2/2
6	897 496 16 1	SZF 2D2S.006	3/3
7	1059 496 16 1	SZF 2D2S.007	3/3
8	1059 496 16 1	SZF 2D2S.008	3/3
9	487 496 16 1	SZF 2D2S.009	3/3
10	475 541 16 2	SZF 2D2S.010	2/2
11	475 530 16 4	SZF 2D2S.011	2/2
12	500 120 16 2	SZF 2D2S.012	2/2
13	500 120 16 2	SZF 2D2S.013	2/2
14	417 120 16 2	SZF 2D2S.014	2/2
15	496 202 16 2	SZF 2D2S.018	1/1
16	1946 492 3 2	SZF 2D2S.015	1/1
17	431 498 3 2	SZF 2D2S.016	1/1

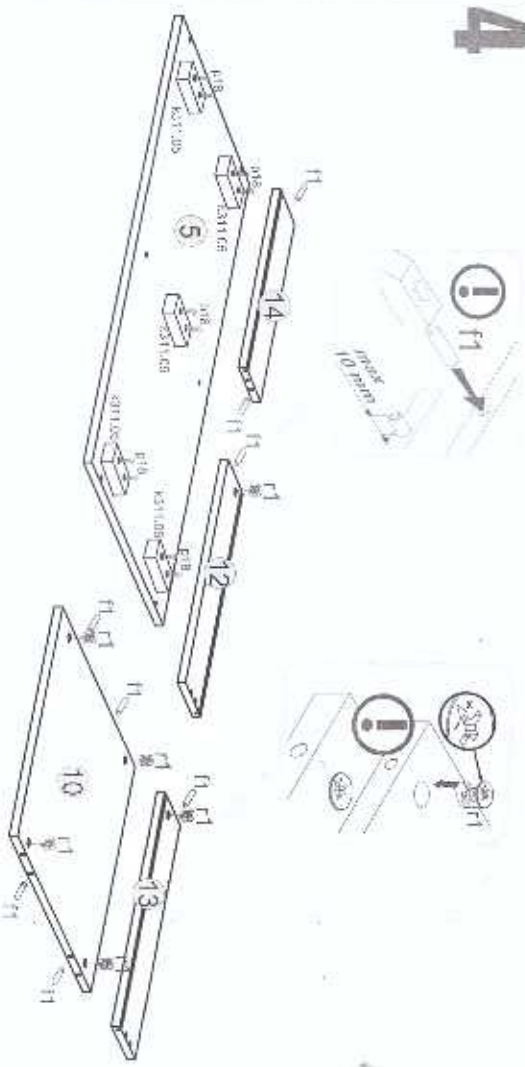
1x		1x		1x		1x	
16x		2x		5x		1x	
18x		16x		28x		16x	
2x		2x		8x		8x	
2x		2x		8x		8x	
10x		48x		12x		12x	
12x		12x		12x		12x	



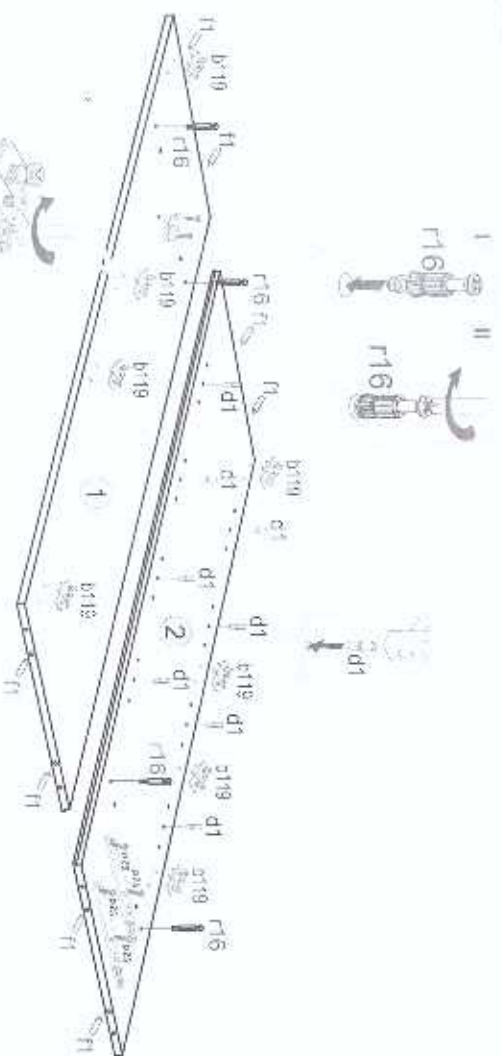
3



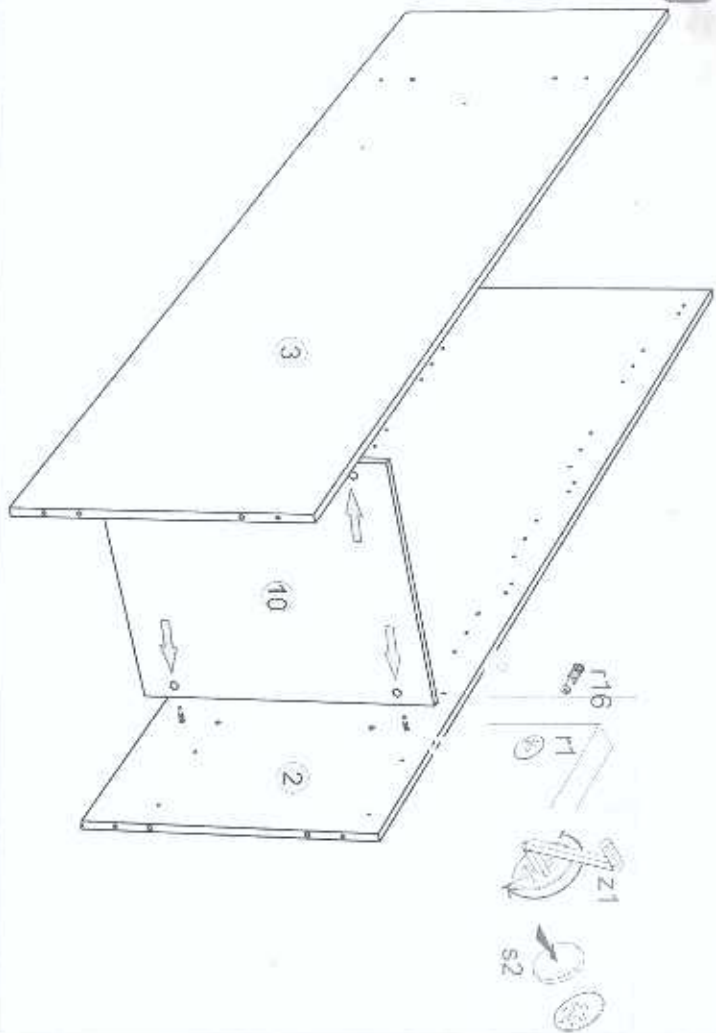
4



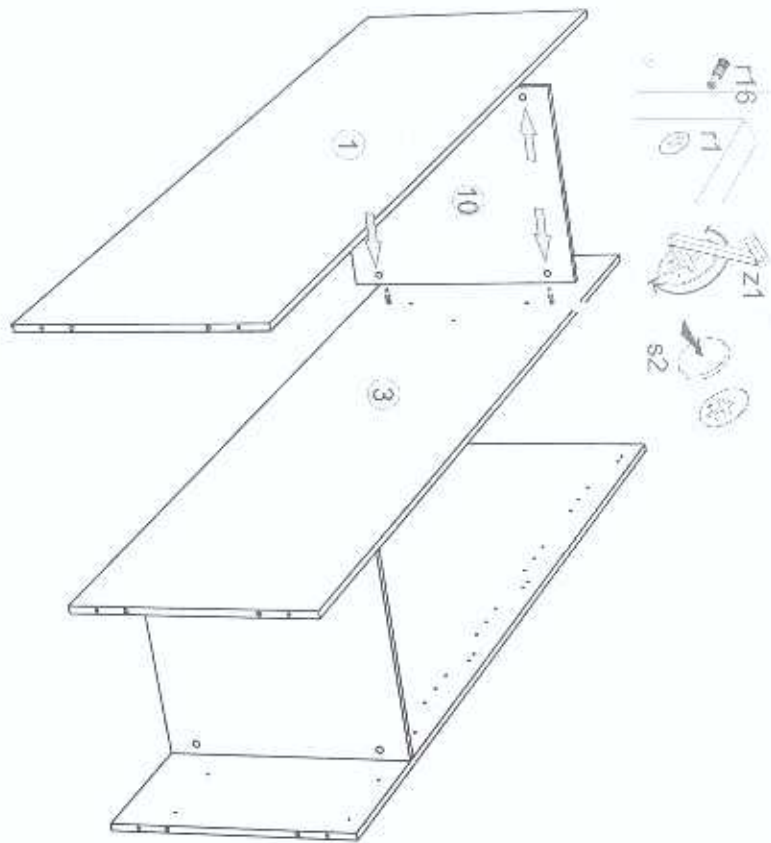
2



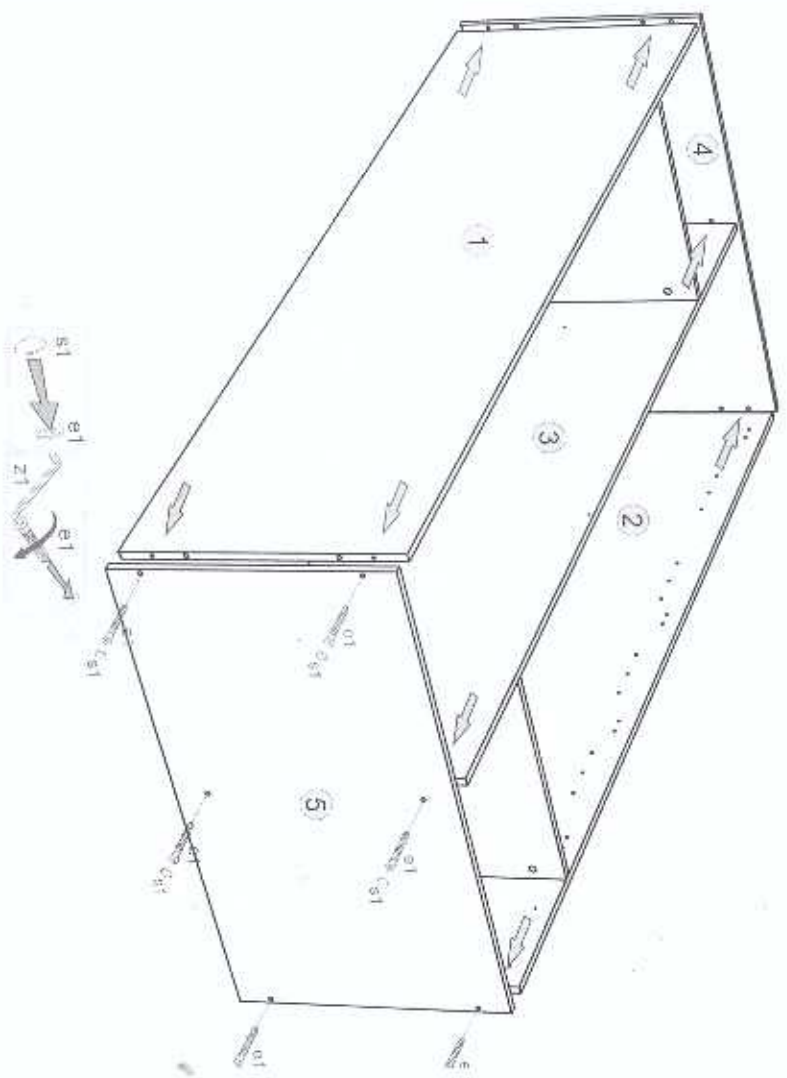
5



6



7





**i**  
a=b

