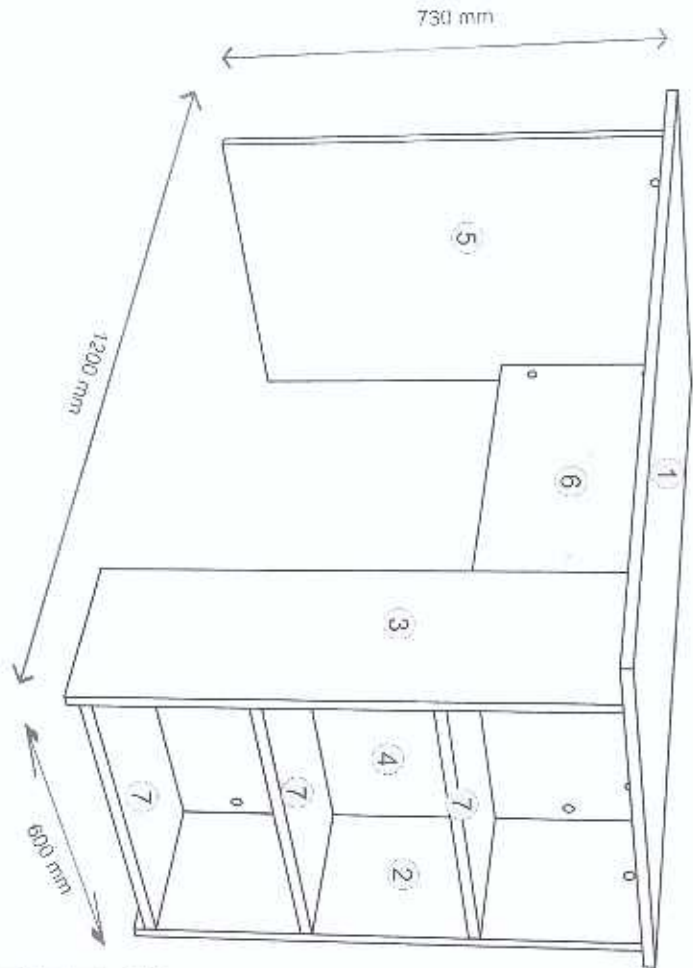
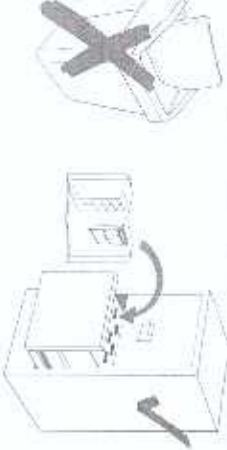
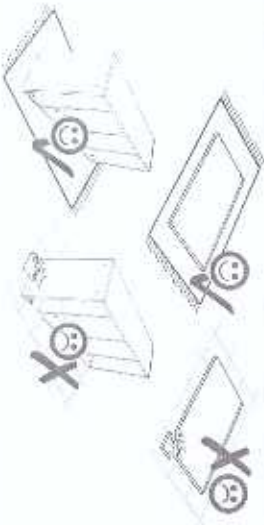


Instalation manual

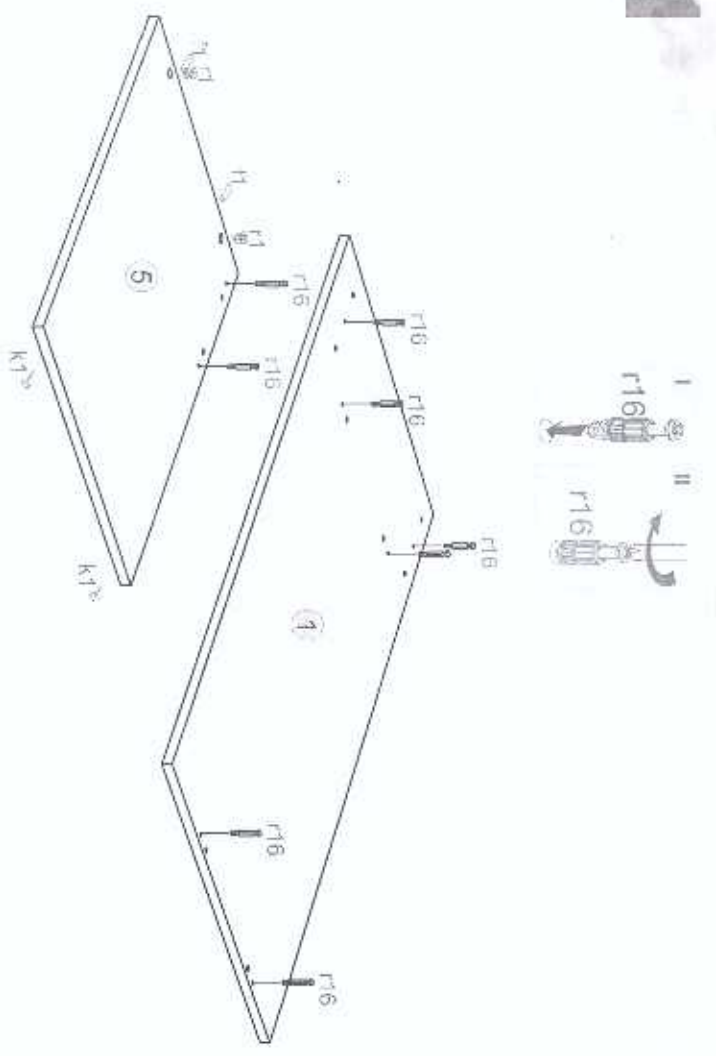
PAMP: Writing table



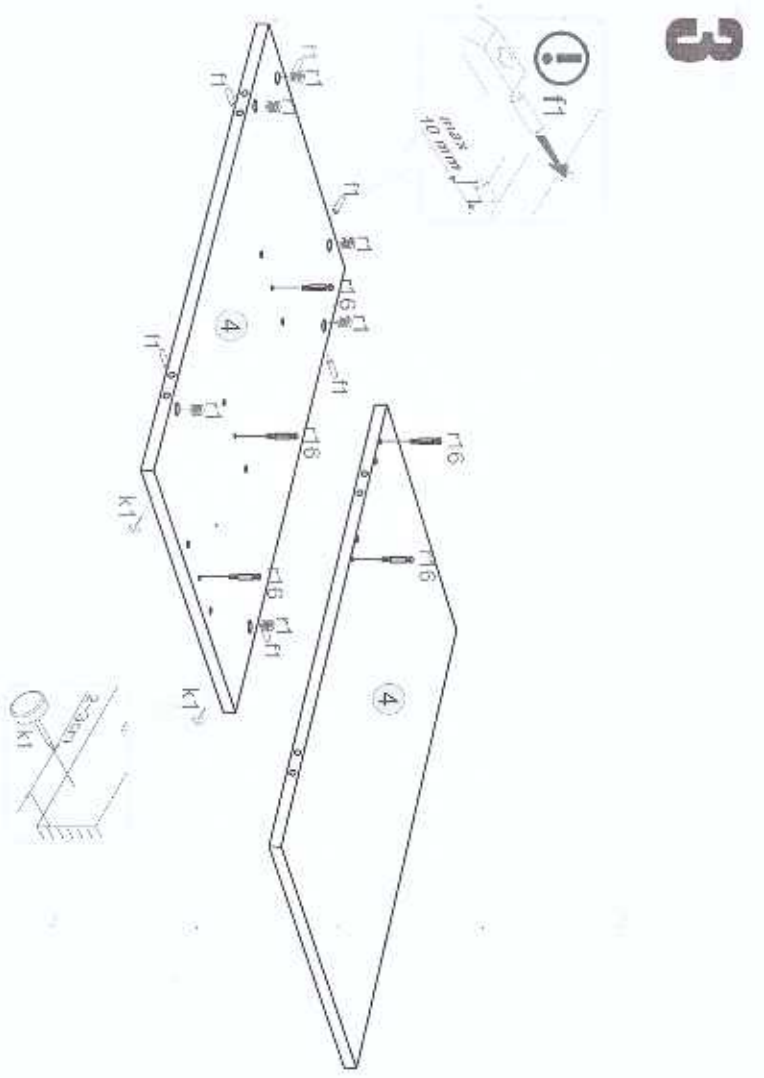
Element symbol	Dimensions			Code	Package	
1	1200	600	16	1	BIURKO.001	1/1
2	708	228	16	1	BIURKO.002	1/1
3	708	228	16	1	BIURKO.003	1/1
4	708	488	16	1	BIURKO.005	1/1
5	708	500	16	1	BIURKO.006	1/1
6	300	947	16	1	BIURKO.007	1/1
7	488	210	16	3	BIURKO.004	1/1



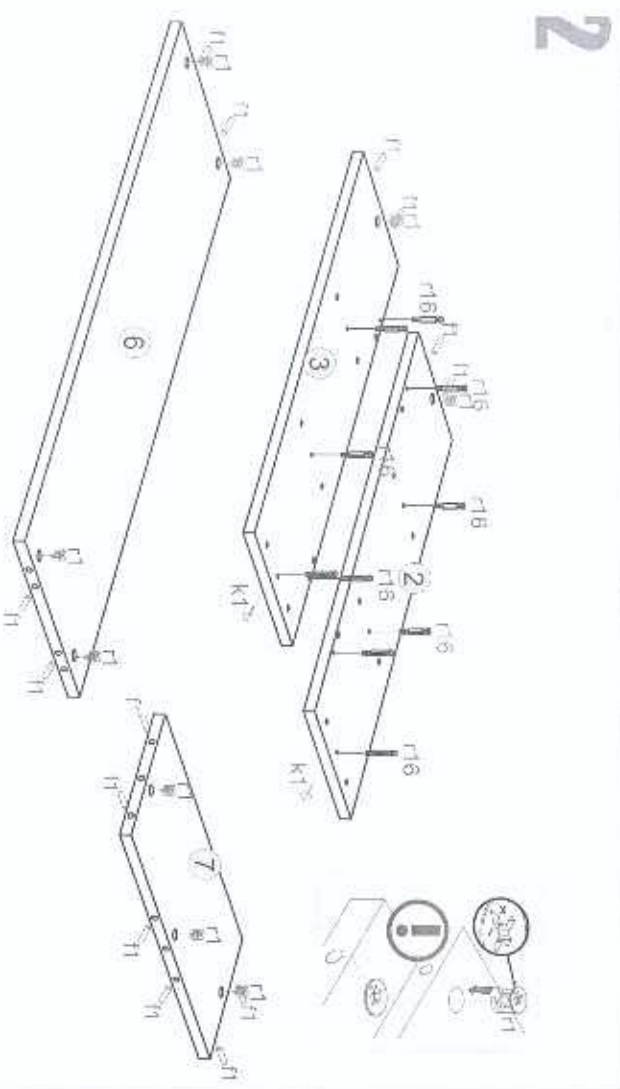
1



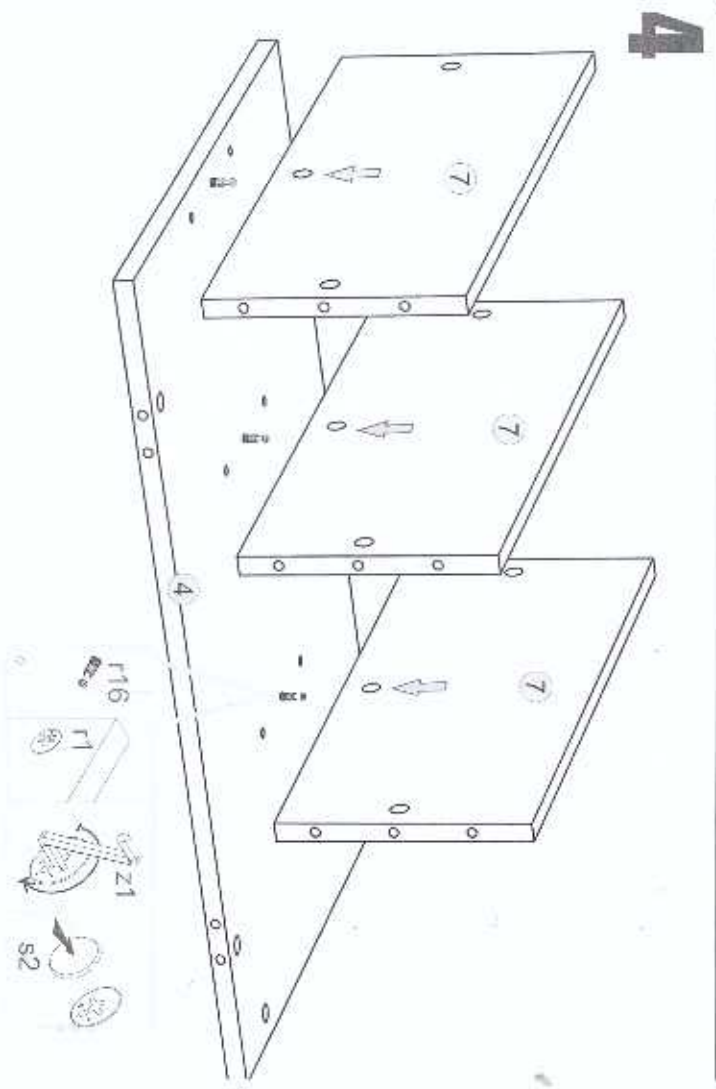
3

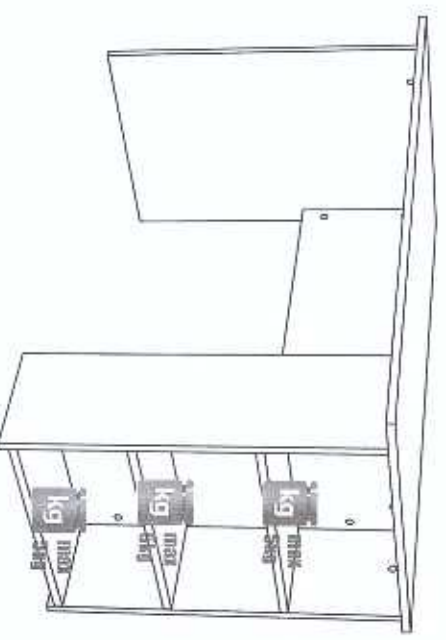
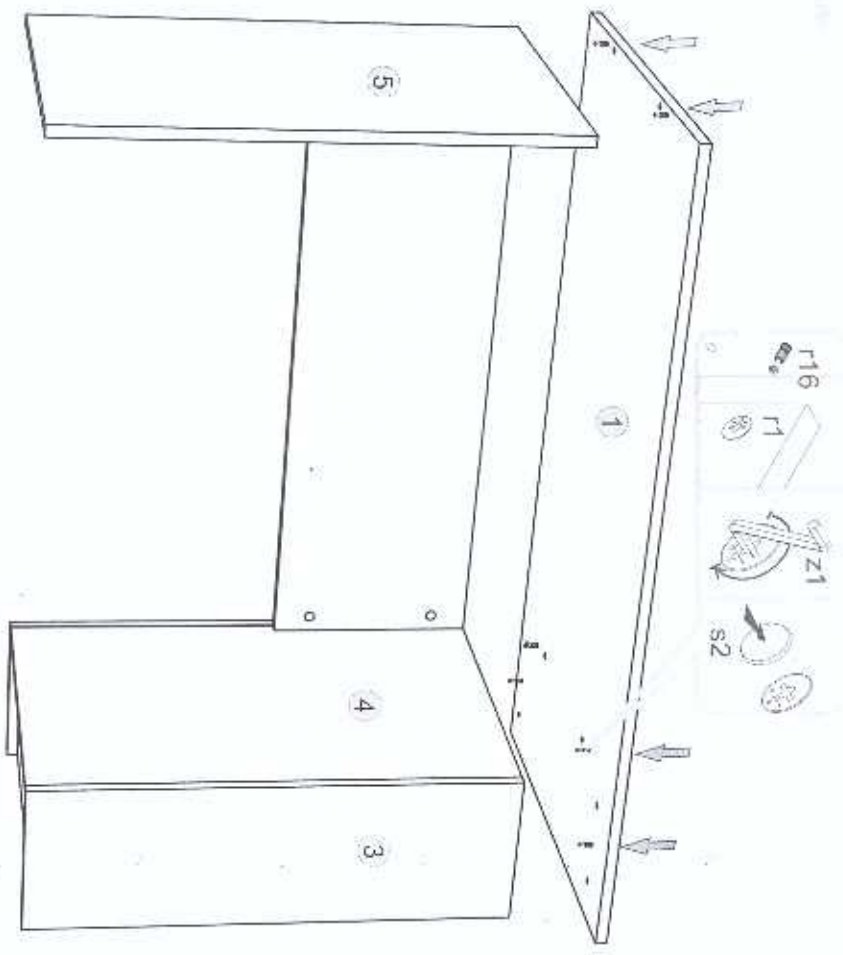
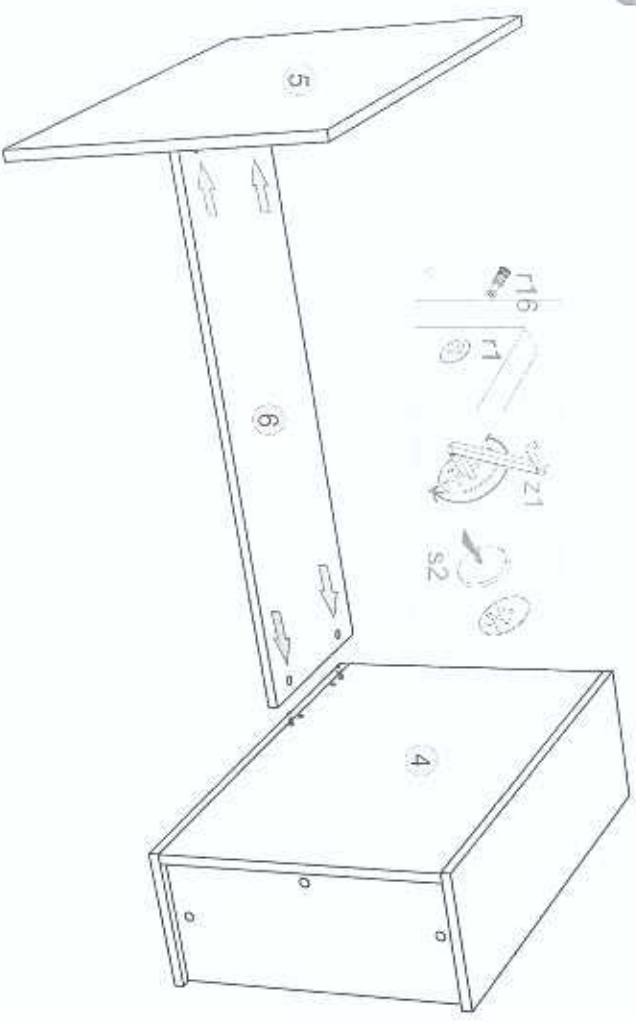
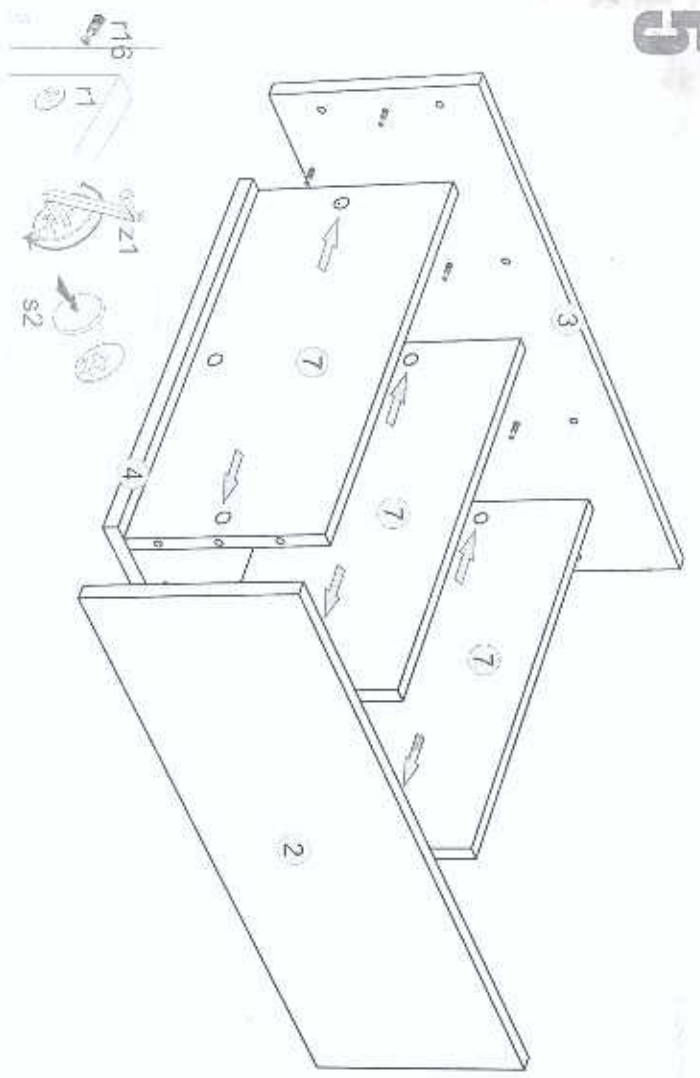


2



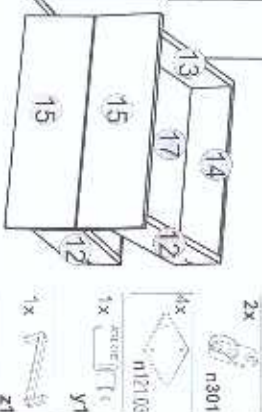
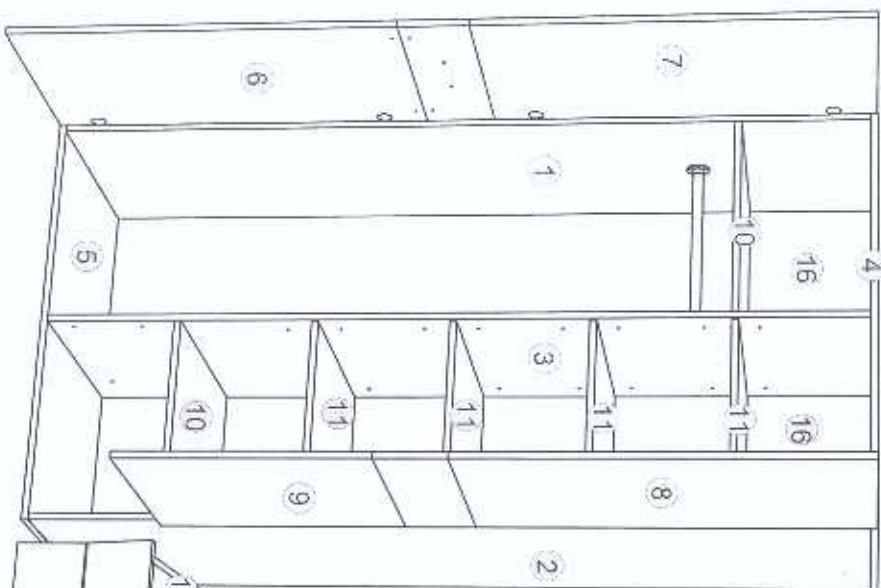
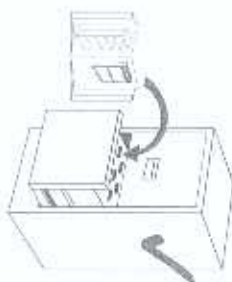
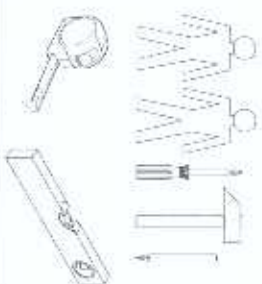
4



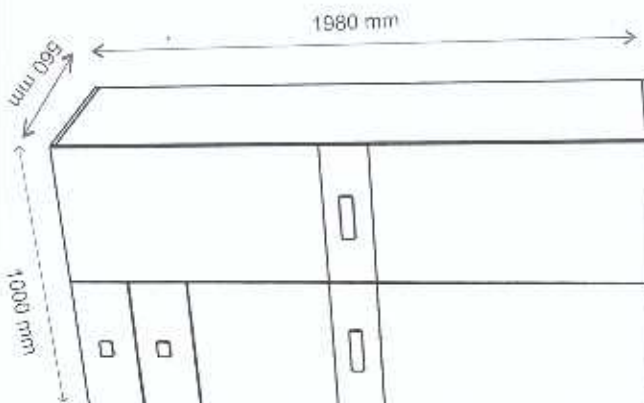


Installation manual

PAMP: Wardrobe 2D2S



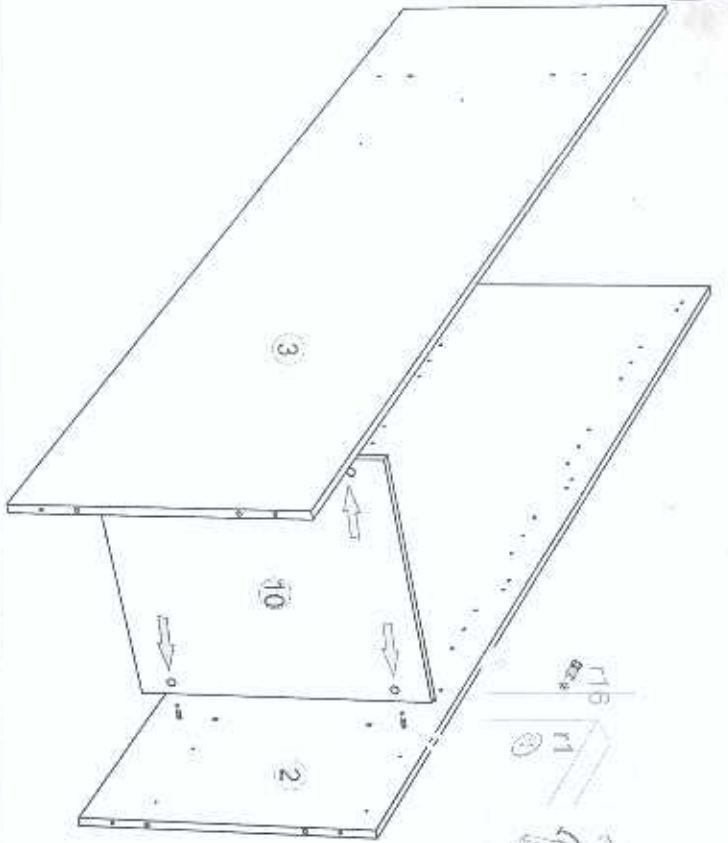
Element symbol	Dimensions	Code	Package
1	1928 544 16 1	SZF 2D2S.001	1/1
2	1928 544 16 1	SZF 2D2S.002	1/1
3	1928 541 16 1	SZF 2D2S.003	1/1
4	1000 544 16 1	SZF 2D2S.004	2/2
5	1000 544 16 1	SZF 2D2S.005	2/2
6	897 496 16 1	SZF 2D2S.006	3/3
7	1059 496 16 1	SZF 2D2S.007	3/3
8	1059 496 16 1	SZF 2D2S.008	3/3
9	487 496 16 1	SZF 2D2S.009	3/3
10	475 541 16 2	SZF 2D2S.010	2/2
11	475 530 16 4	SZF 2D2S.011	2/2
12	500 120 16 2	SZF 2D2S.012	2/2
13	500 120 16 2	SZF 2D2S.013	2/2
14	417 120 16 2	SZF 2D2S.014	2/2
15	496 202 16 2	SZF 2D2S.018	1/1
16	1946 492 3 2	SZF 2D2S.015	1/1
17	431 498 3 2	SZF 2D2S.016	1/1



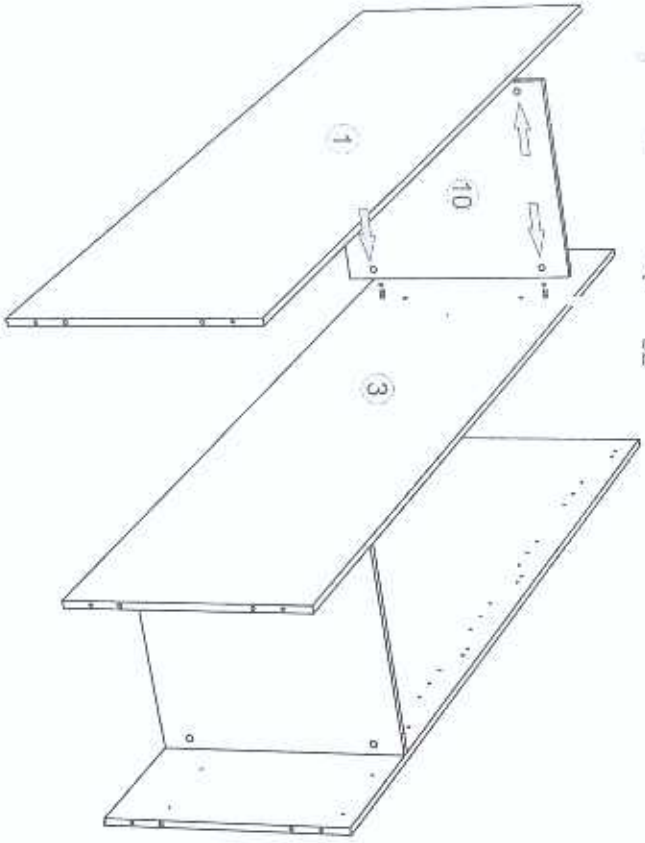
1x	n14	1x	z1	1x	n12105	2x	n301
16x	p38	2x	L-500	1x	p12	1x	y1
16x	e1	15x	st1	28x	f1	8x	p42
2x	sbk30002	2x	sbk30003	8x	a144	8x	b119
16x	g1	16x	h1	80x	l1	5x	m105
16x	o1	16x	p1	10x	p18	48x	p25
16x	r1	16x	s1	12x	s2	12x	t1



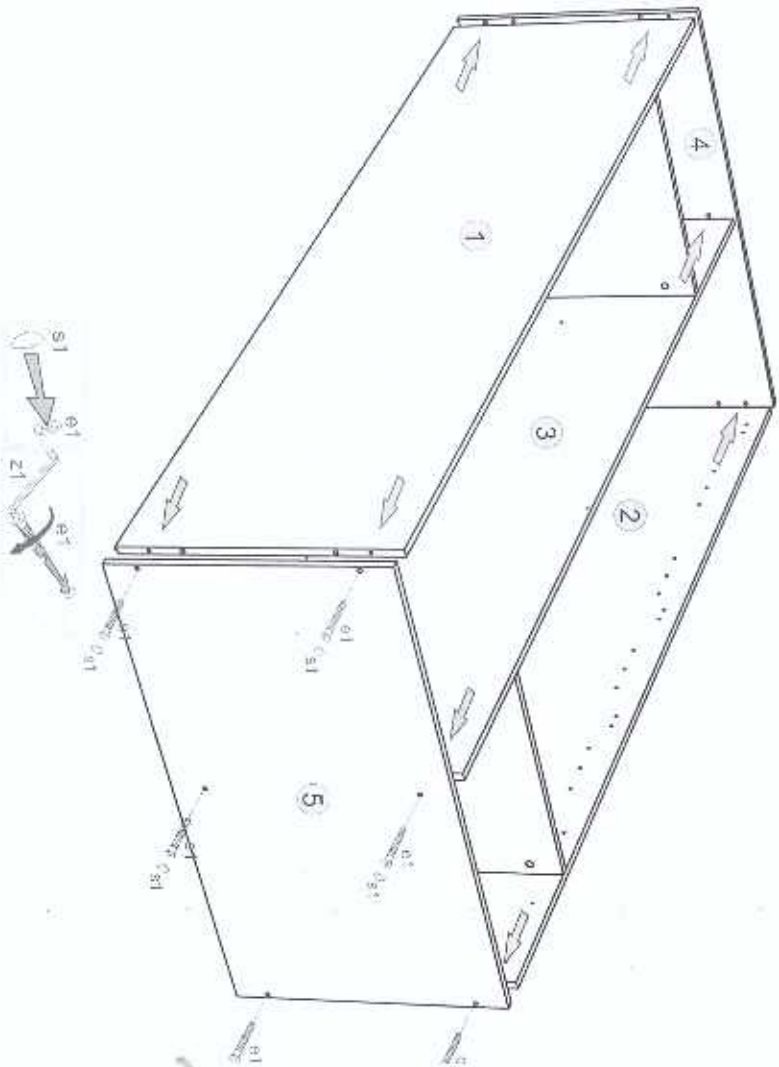
5



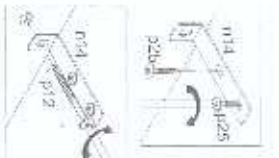
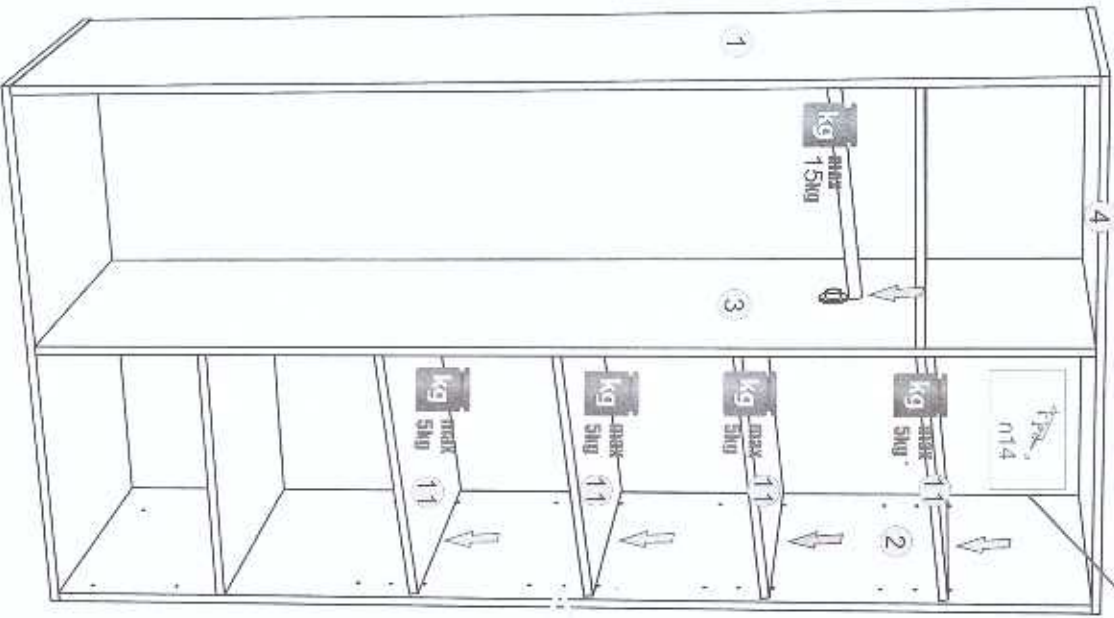
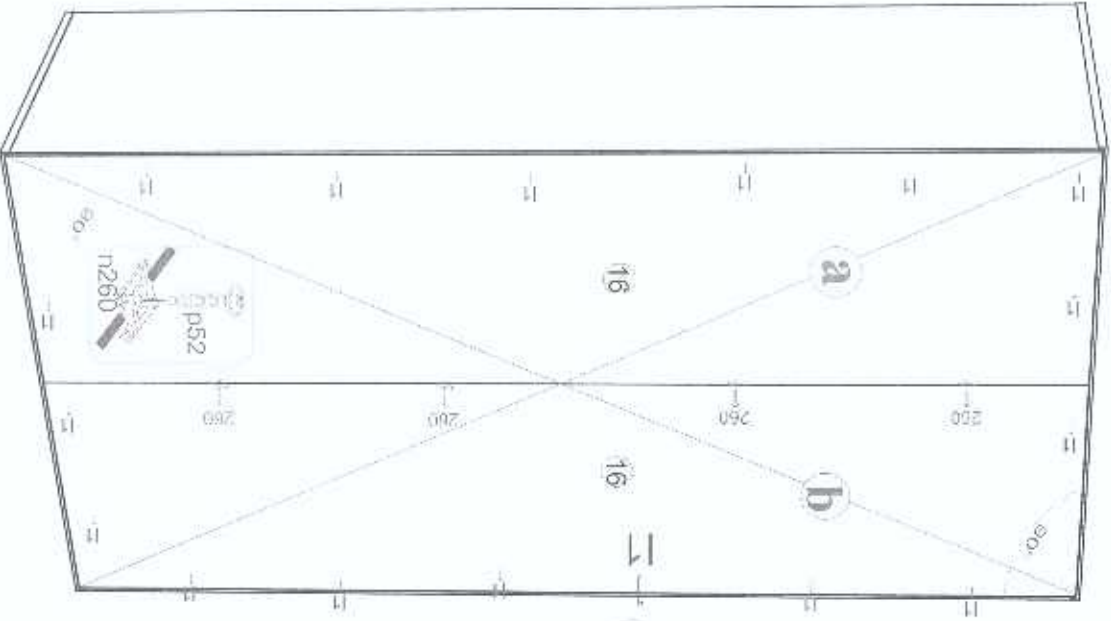
5

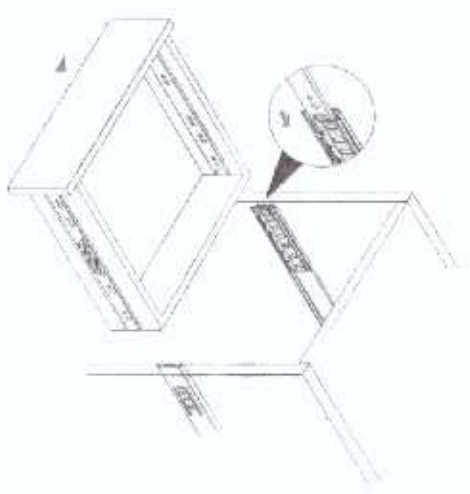
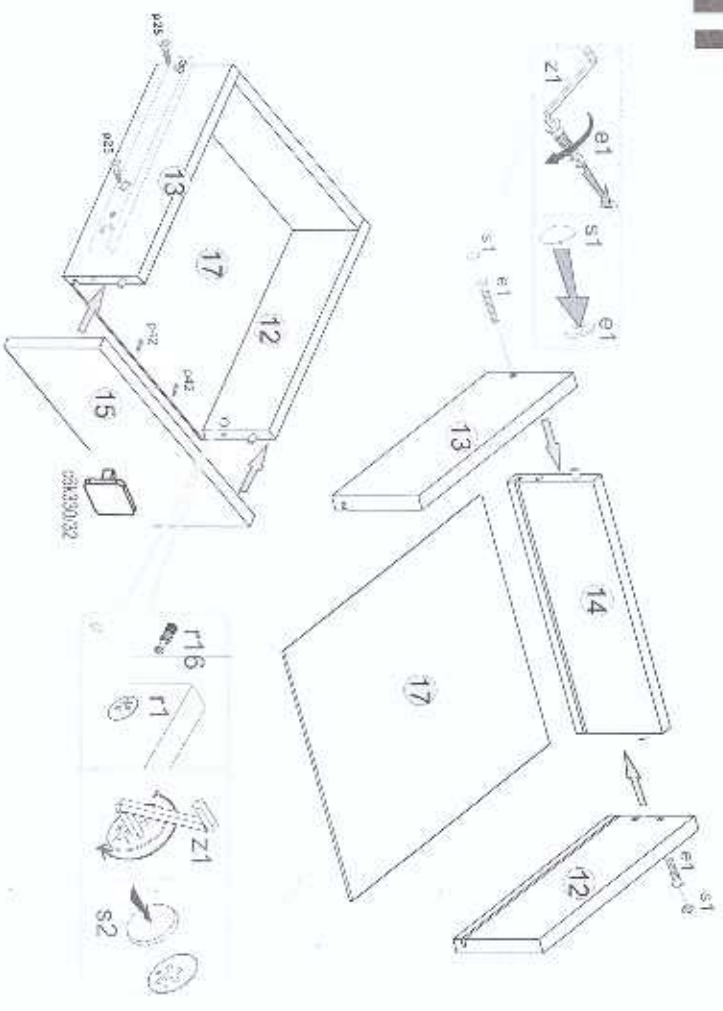
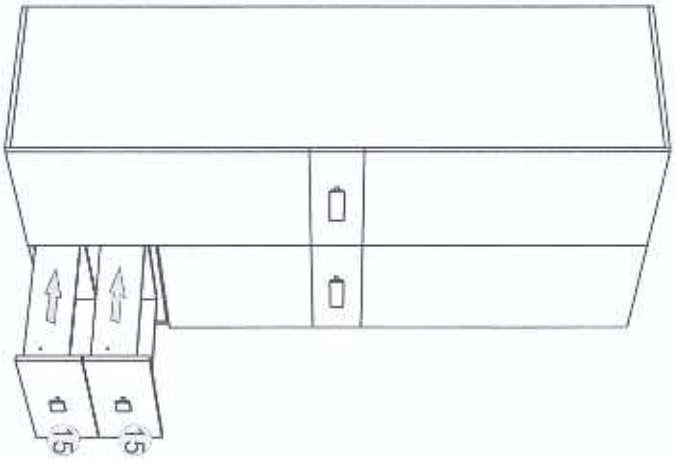
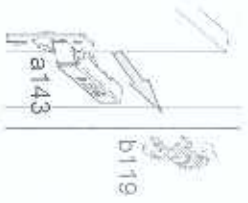
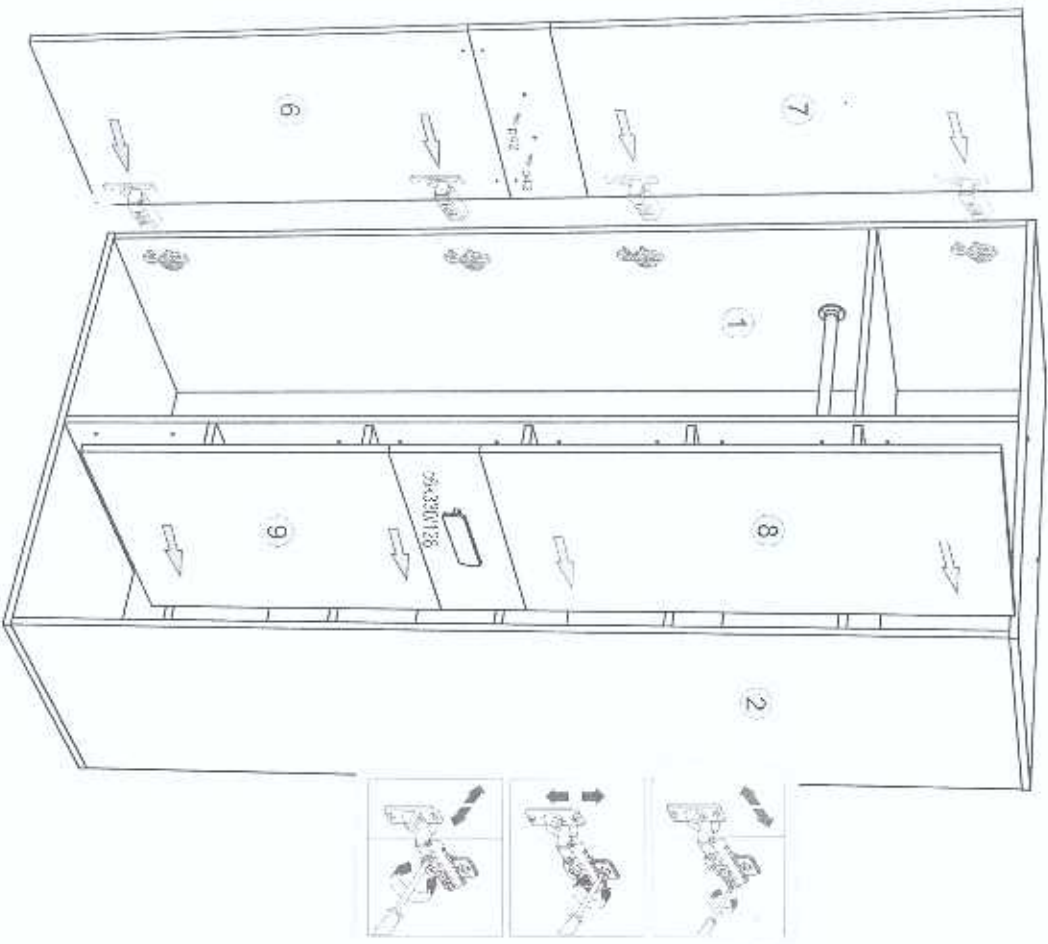


7



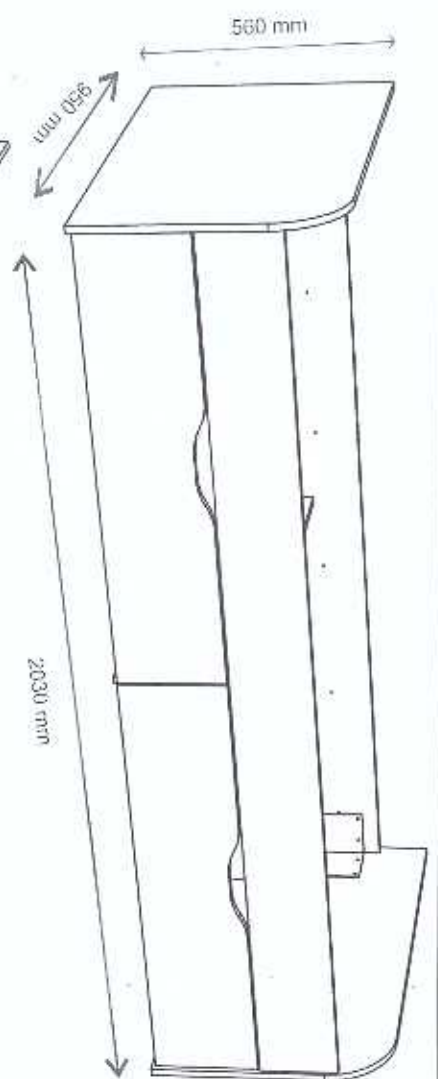
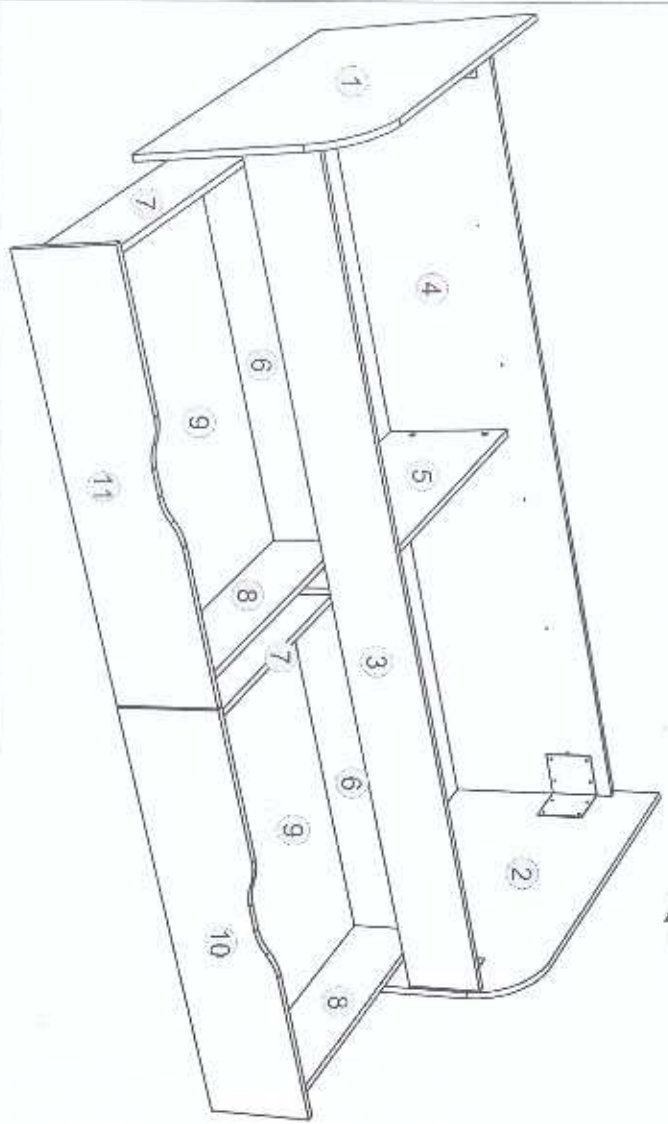
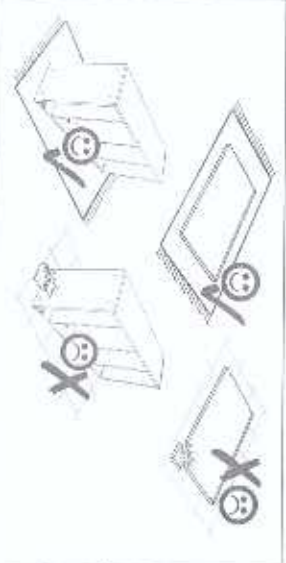
i
a=b







Installation manual
PAMP: Bed 90

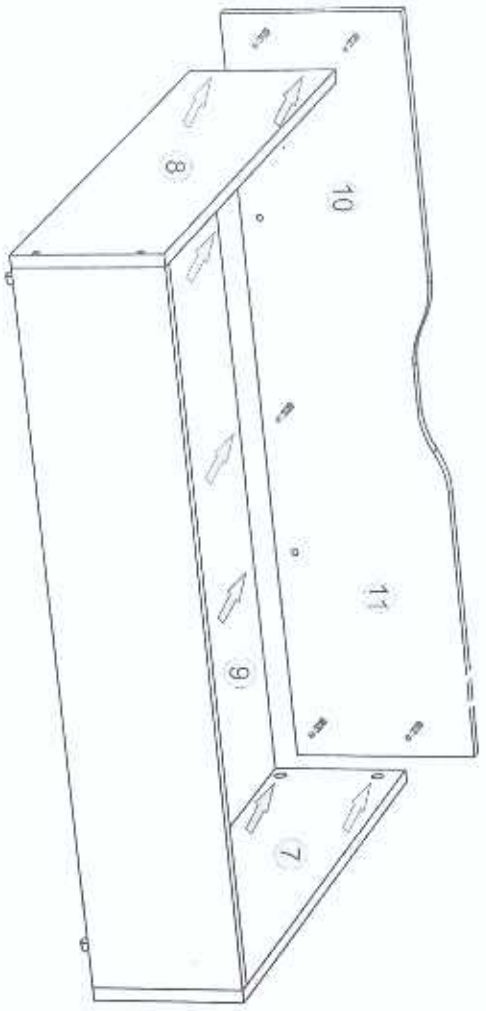


Element Symbol	Dimensions	Code	Package
1	550 950 16 1	LOZ90.008	1/1
2	550 950 16 1	LOZ90.009	1/1
3	178 2000 16 1	LOZ90.010	1/1
4	549 2000 16 1	LOZ90.011	1/1
5	315 900 16 1	LOZ90.012	2/2
6	188 905 16 1	LOZ90.014	2/2
7	188 716 16 2	LOZ90.015	2/2
8	188 716 16 2	LOZ90.016	2/2
9	700 905 16 2	LOZ90.019	2/2
10	994 237 16 1	LOZ90.021	1/1
11	994 237 16 1	LOZ90.022	1/1

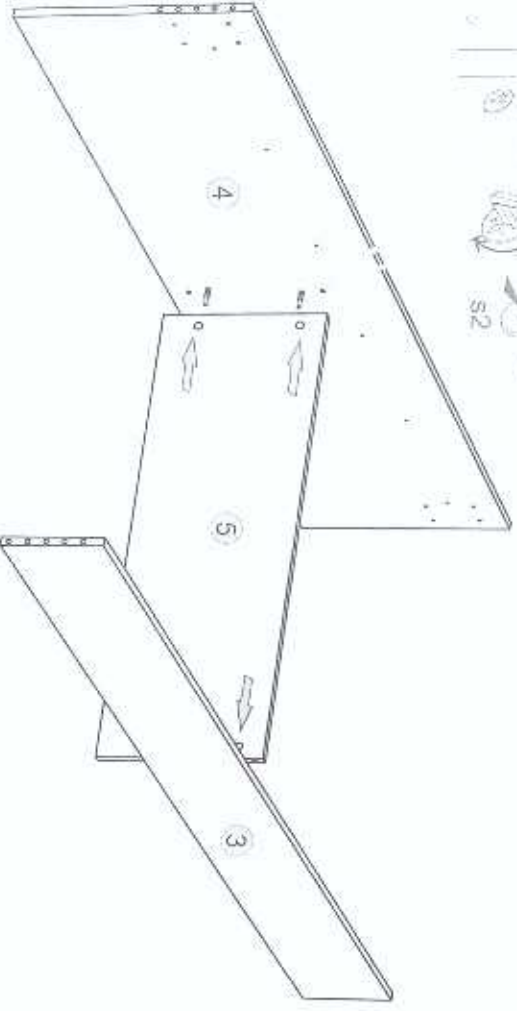
10x K34	32x castor p25	1x r108	32x castor e2	1x z1	8x p21	1x snc	12x p62
23x s2	23x r1	23x r16	8x e1	8x s1	35x f1	8x k1	



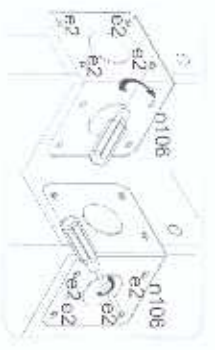
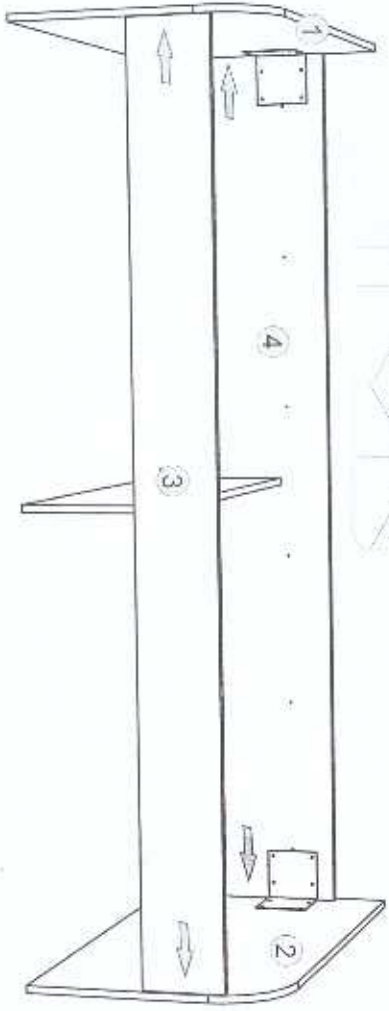
5



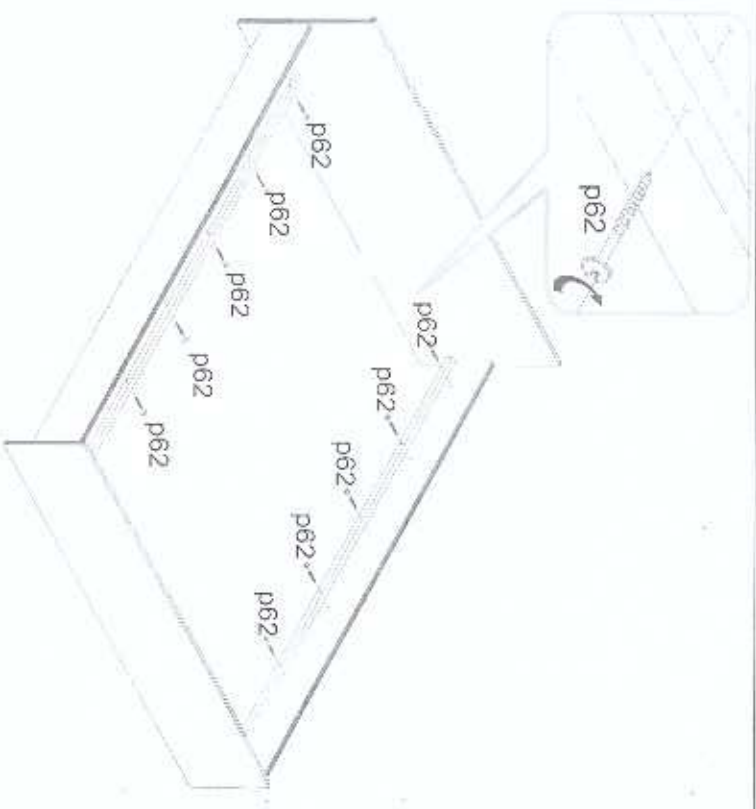
6

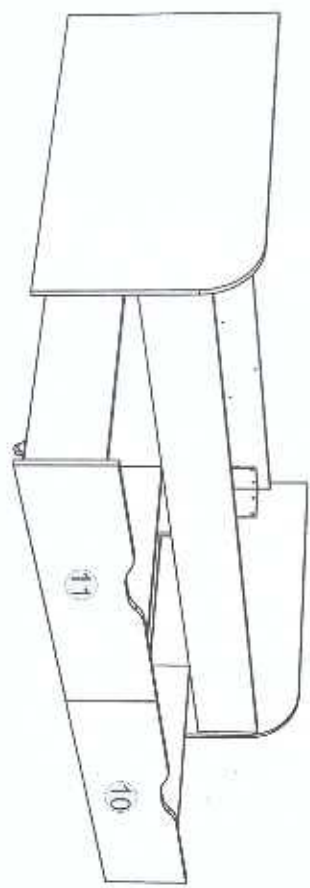
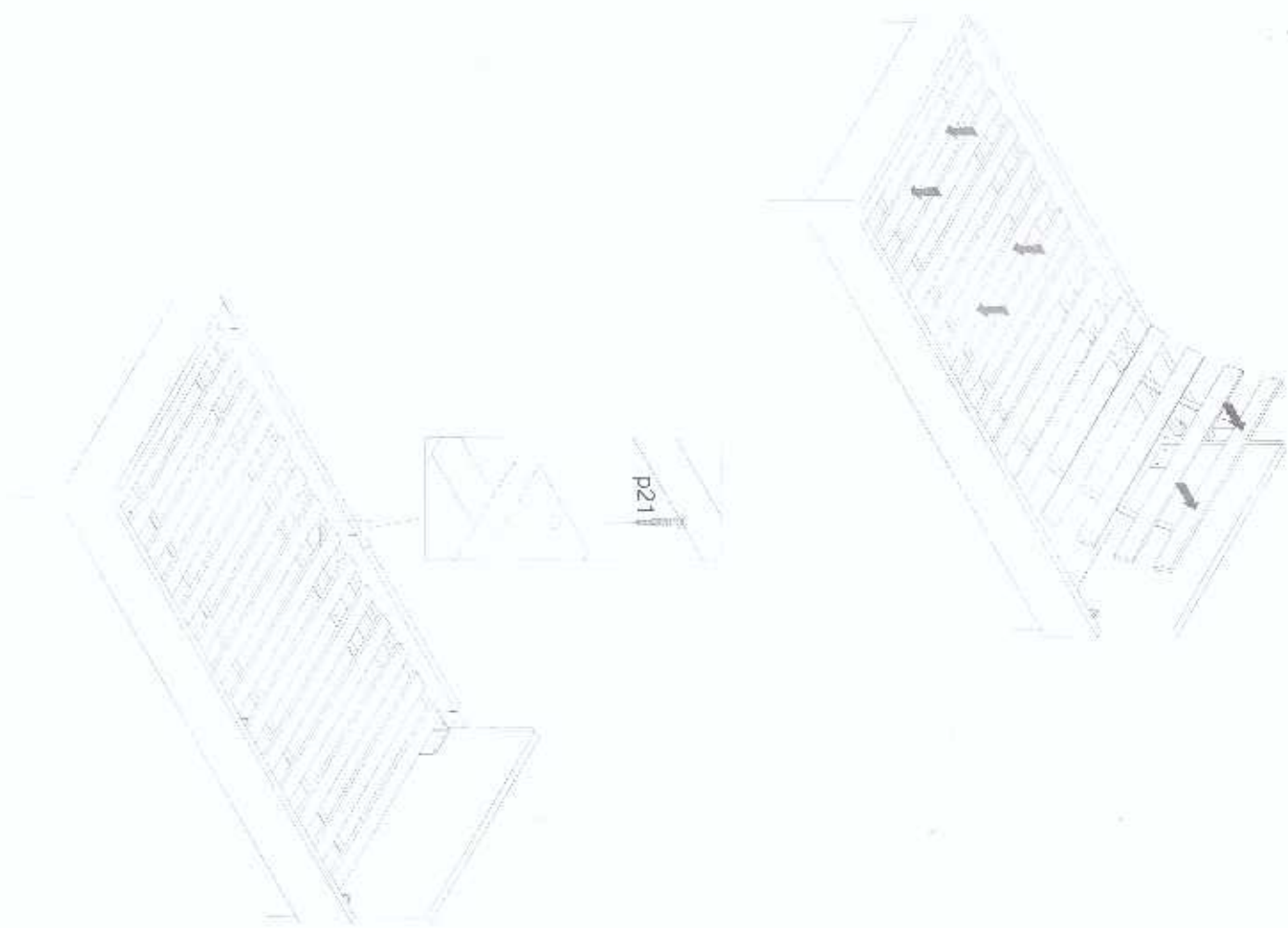


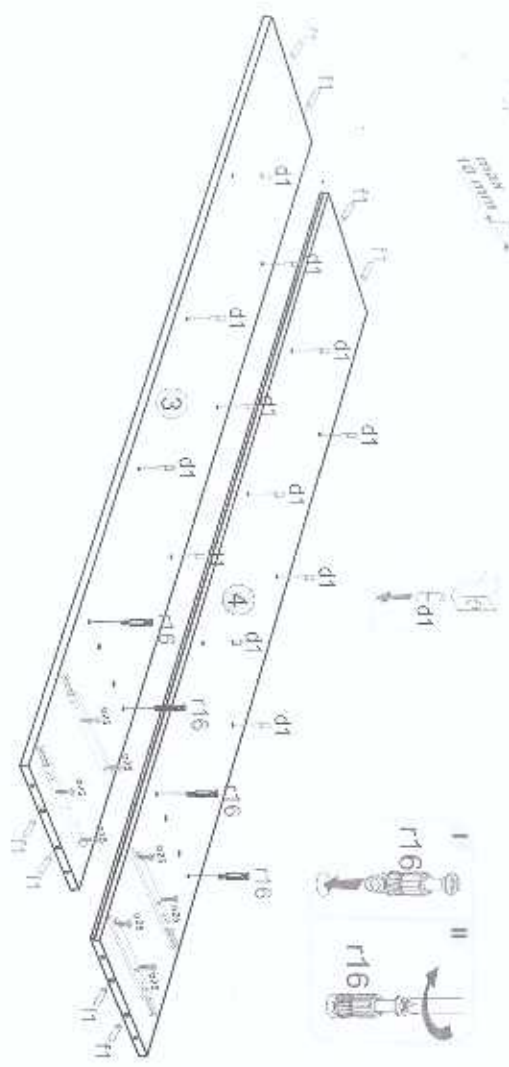
7



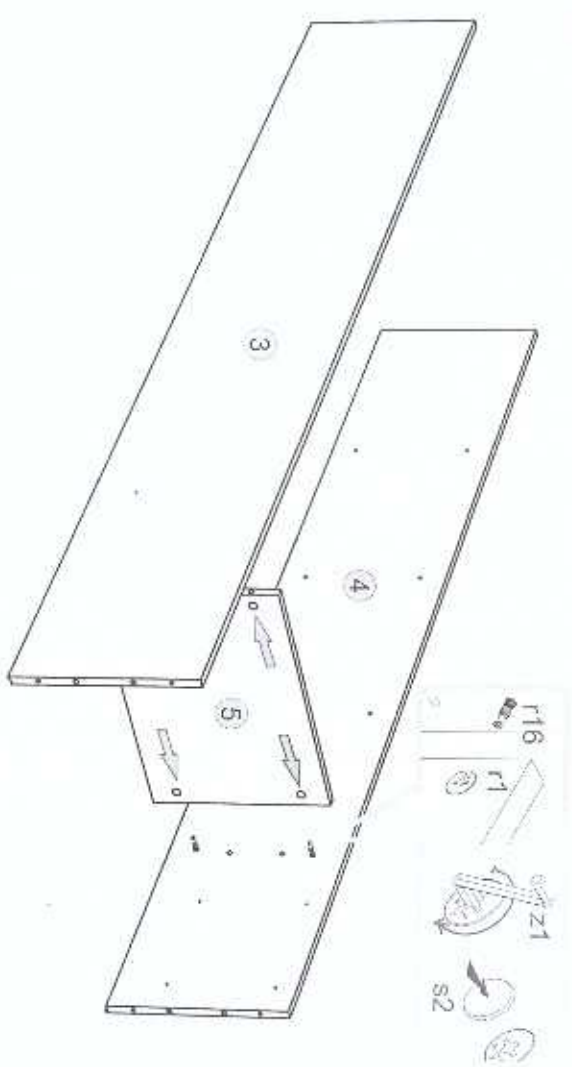
8



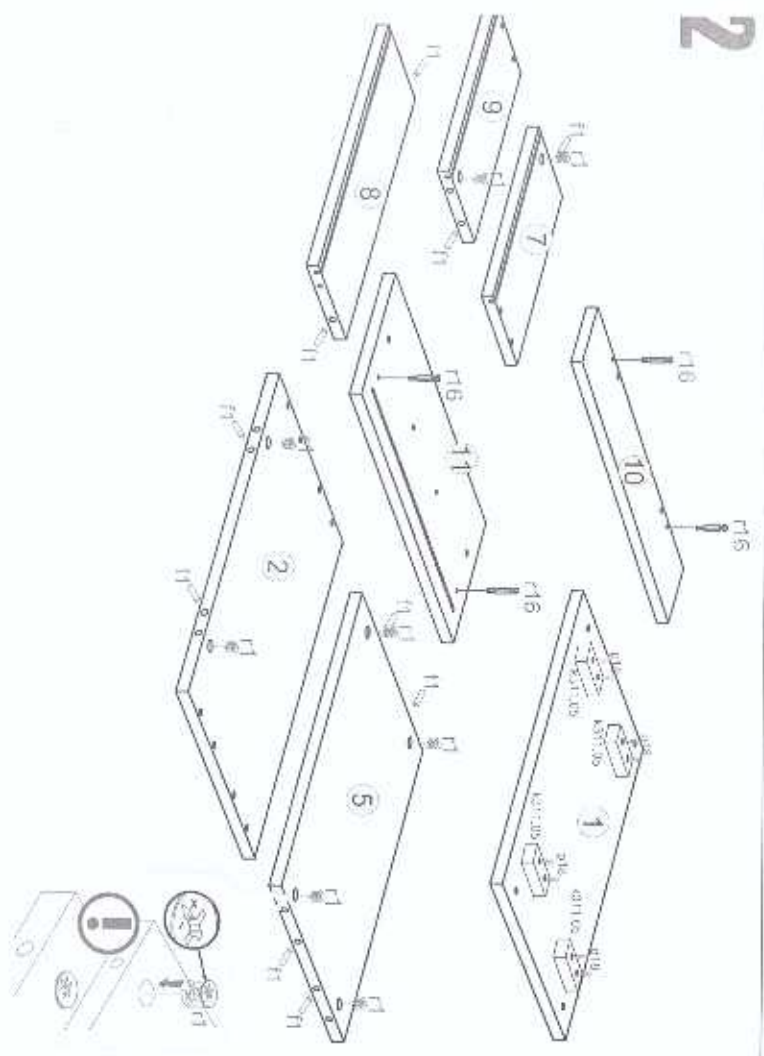




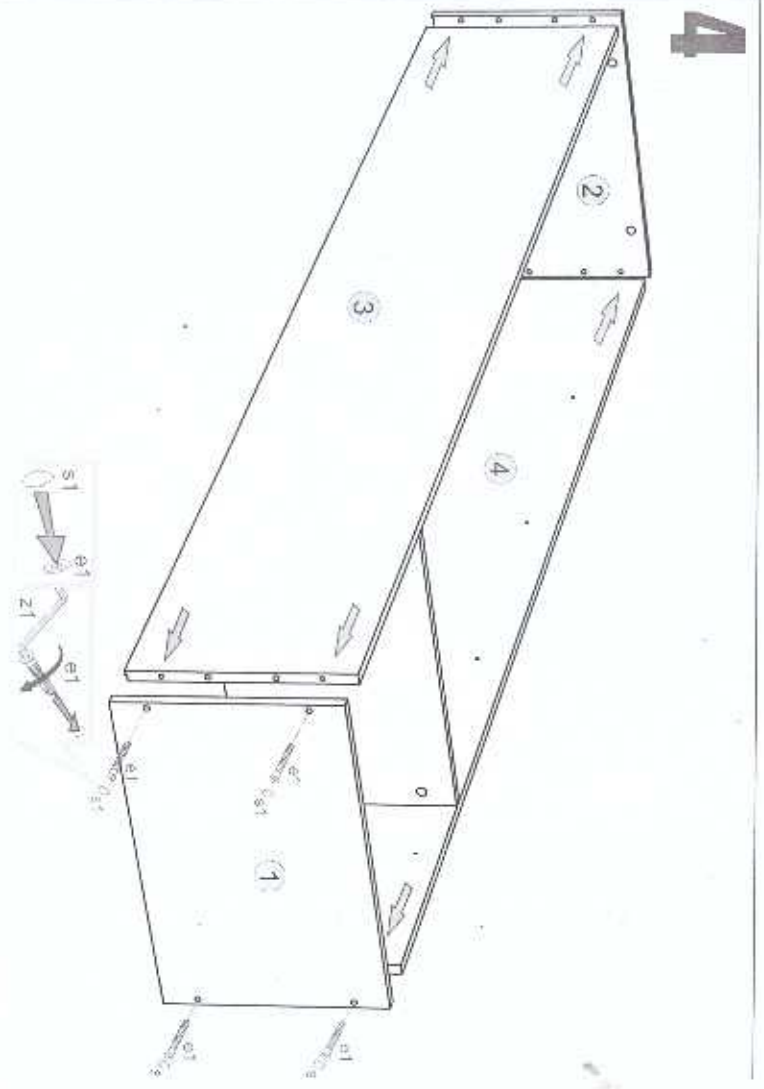
3

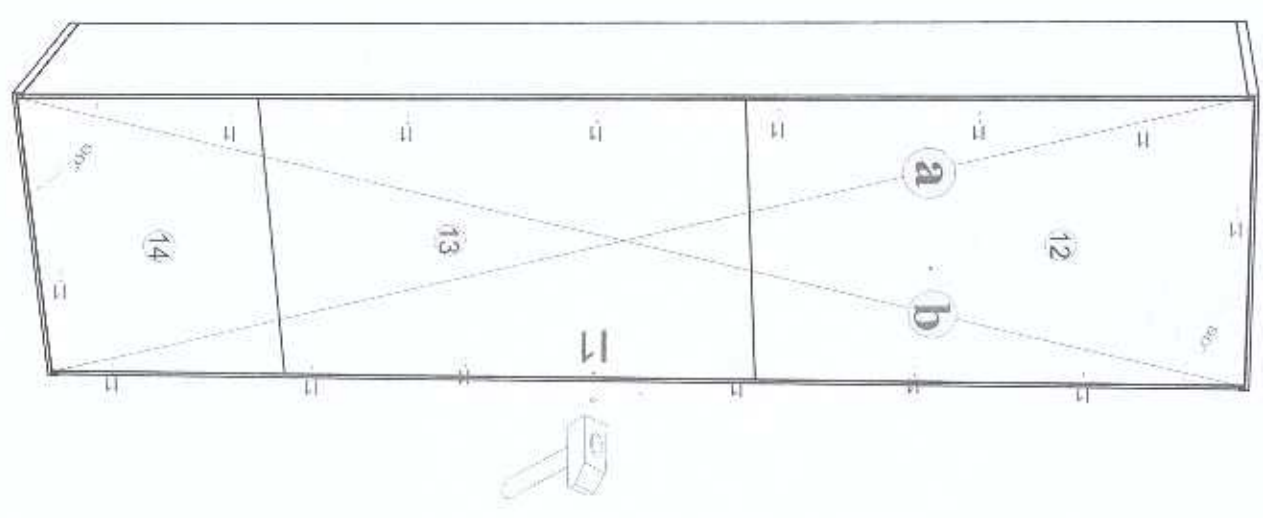
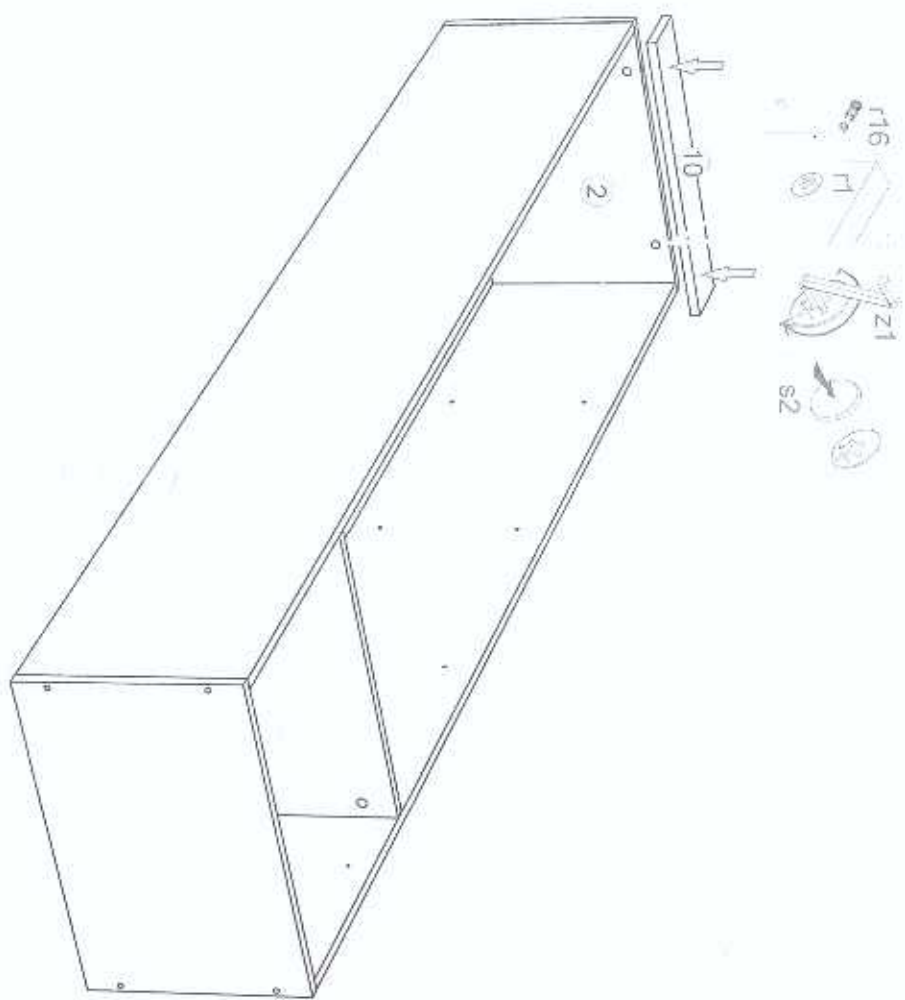


2

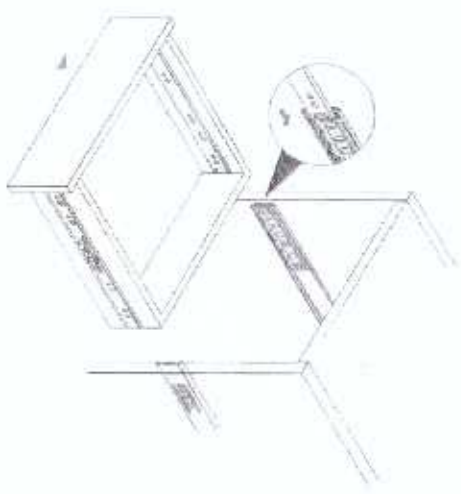
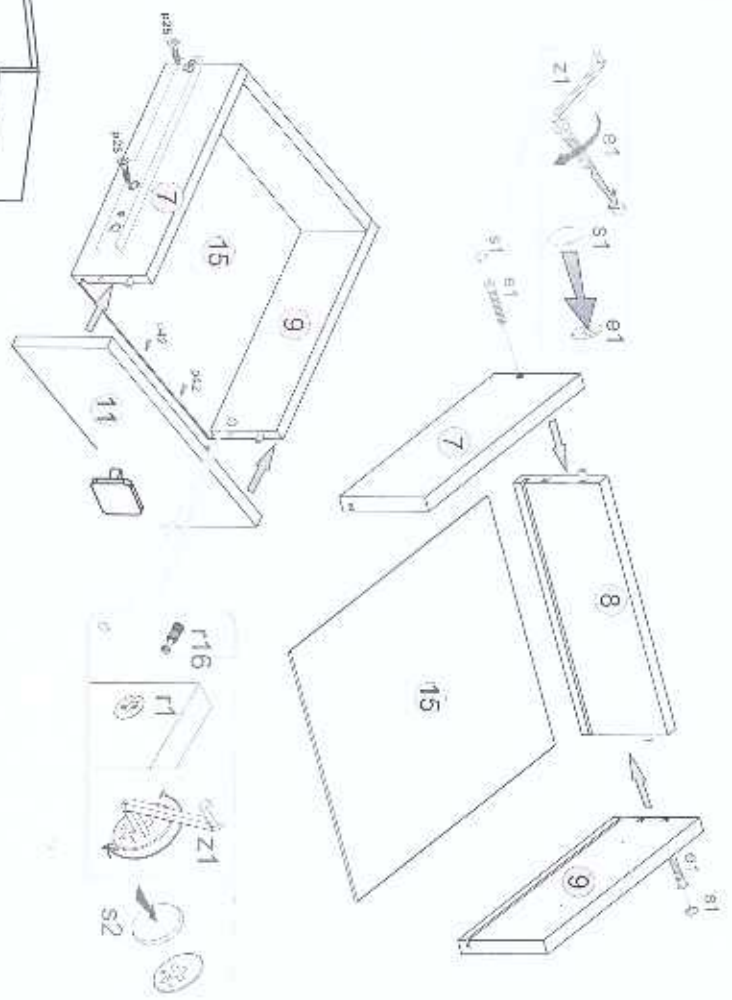
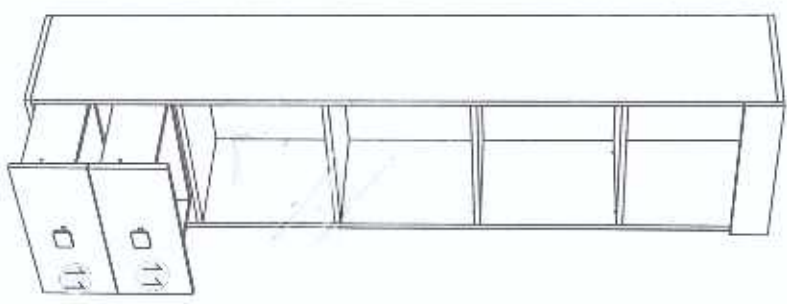
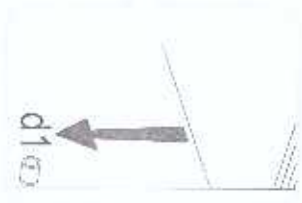
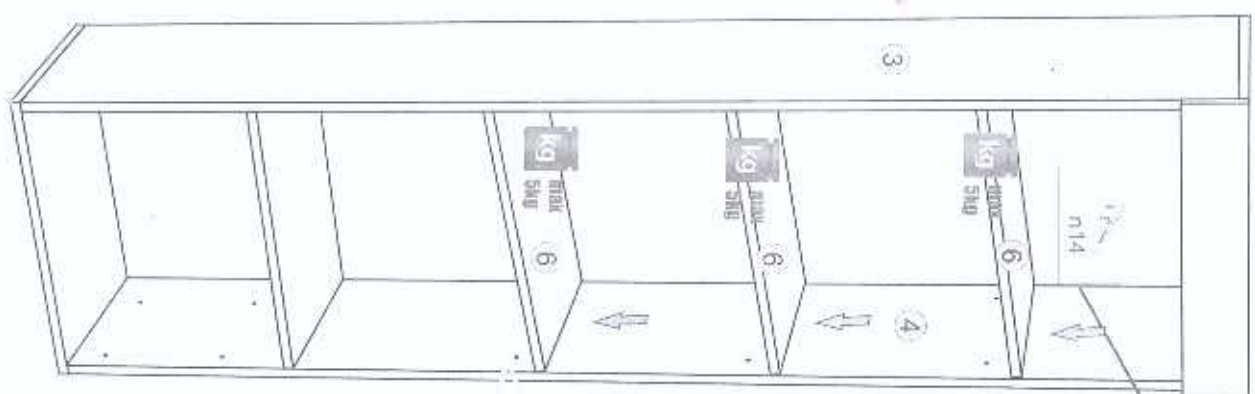


4

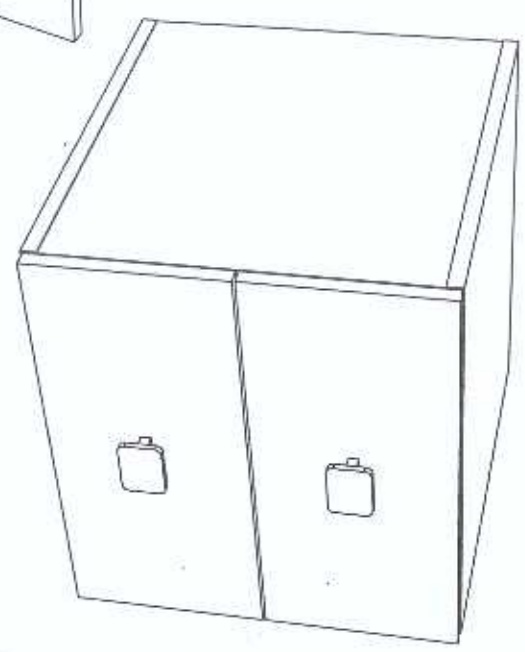
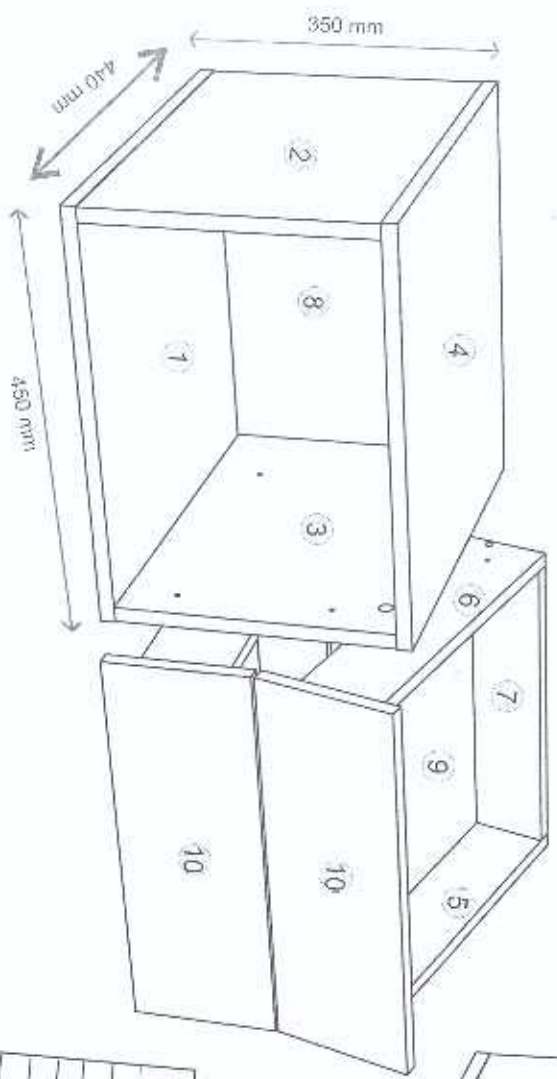
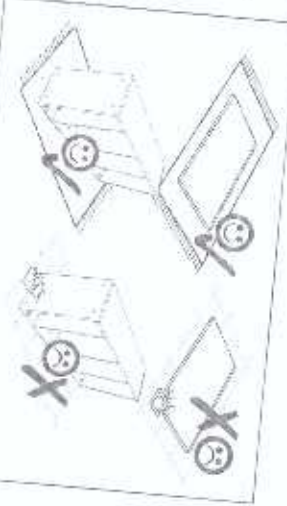




a=b



Installation manual
PAMP: Nightstand 2S



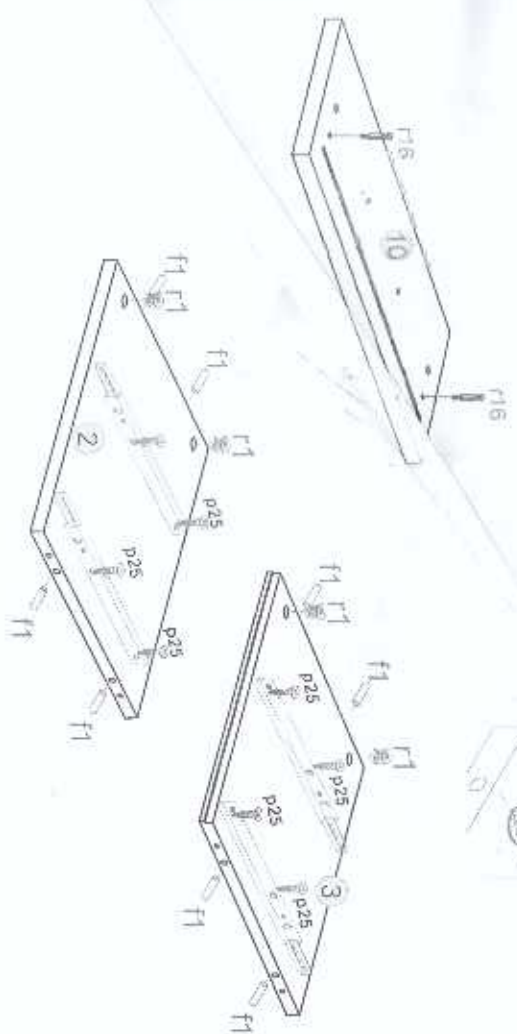
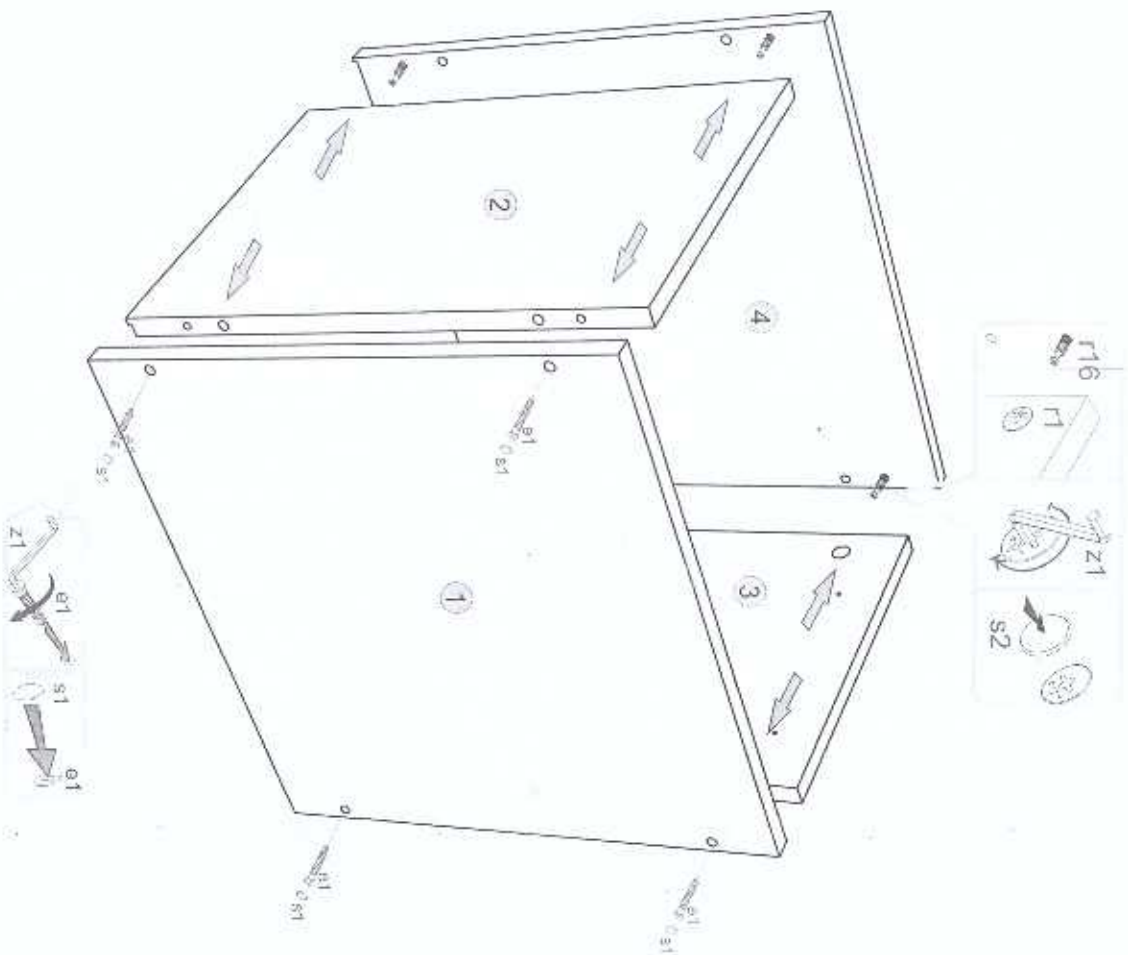
Element symbol	Dimensions	Code	Package
1	450 424 16 1	SZFK 2S.007	1/1
2	378 424 16 1	SZFK 2S.009	1/1
3	378 424 16 1	SZFK 2S.010	1/1
4	450 424 16 1	SZFK 2S.011	1/1
5	400 140 16 1	SZFK 2S.012	1/1
6	400 140 16 2	SZFK 2S.013	1/1
7	358 140 16 2	SZFK 2S.015	1/1
8	395 434 3 1	SZFK 2S.018	1/1
9	376 402 3 2	SZFK 2S.004	1/1
10	446 202 16 2	SZFK 2S.013	1/1

Scale: 0 to 120 mm

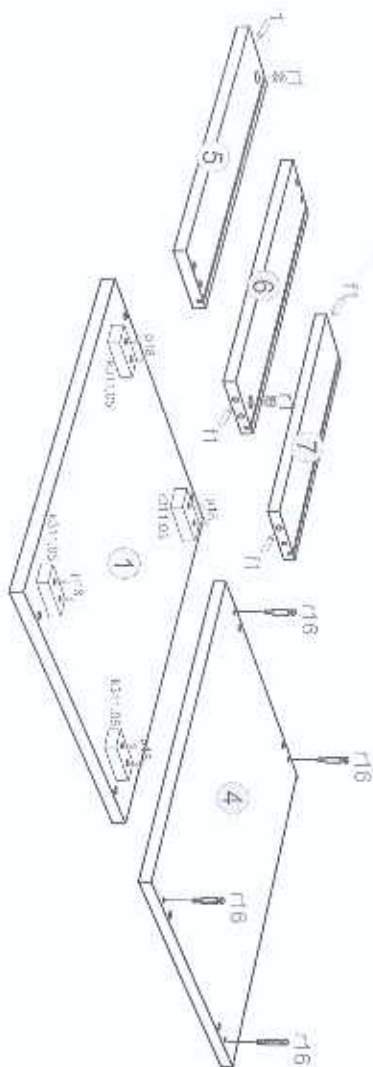
Parts list:

- 40x 2x [part]
- 4x [part]
- 8x [part]
- 24x [part]
- 1x [part]
- 2x [part]
- 1x [part]
- 8x [part]
- 1x [part]
- 18x [part]
- 21 [part]

3



2





a=b

