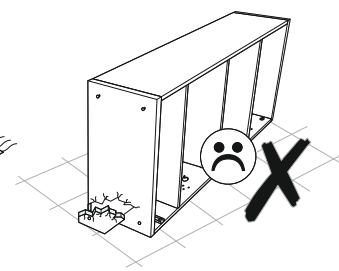
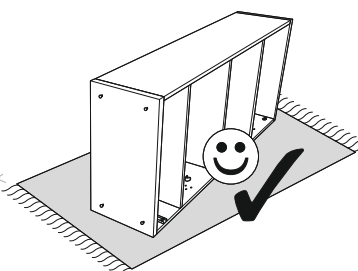
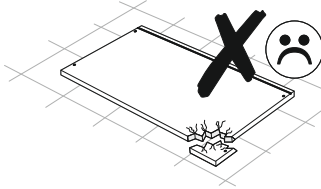
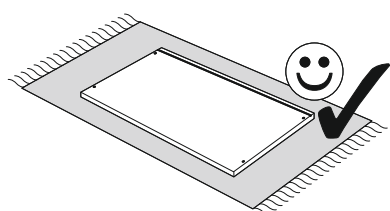
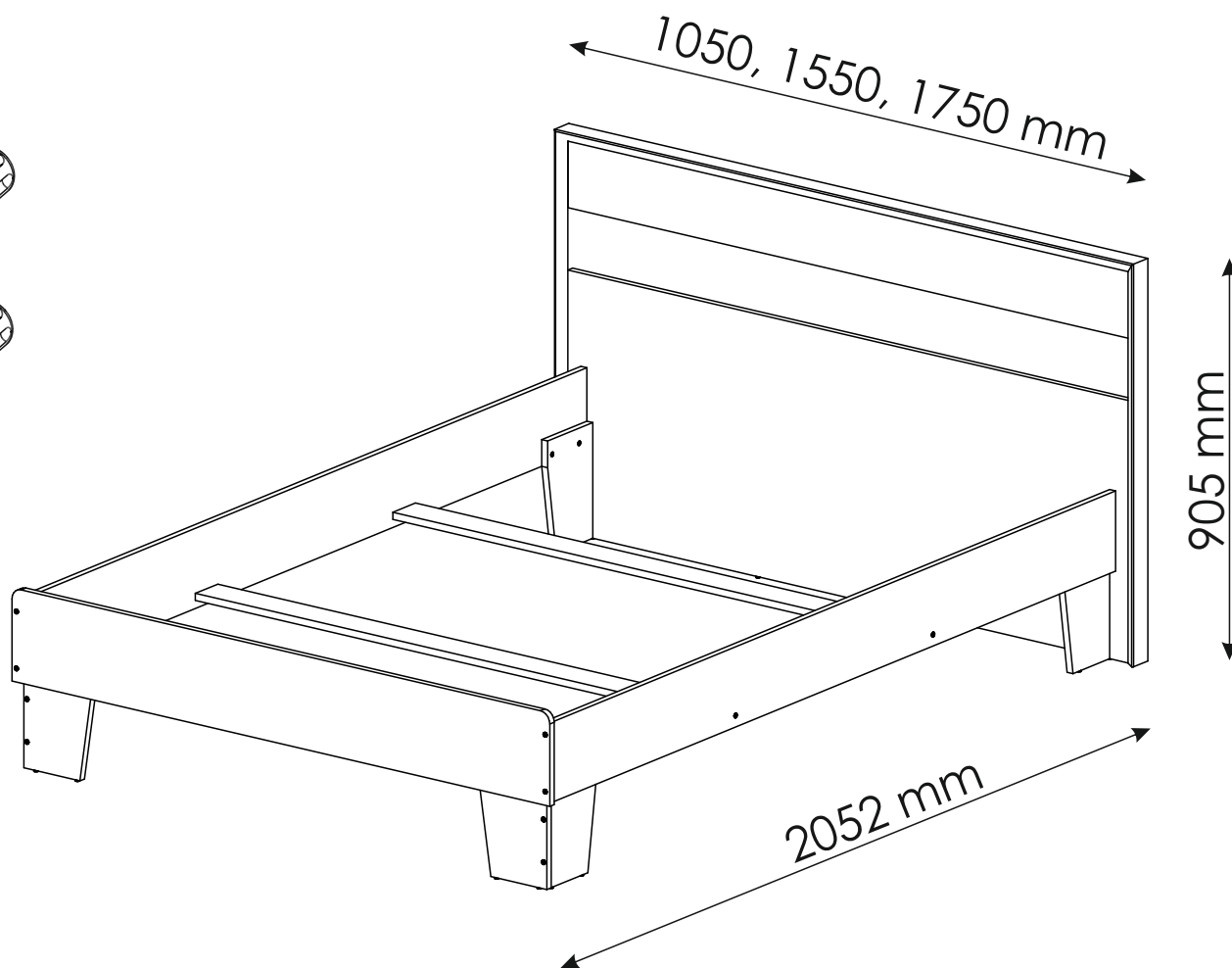
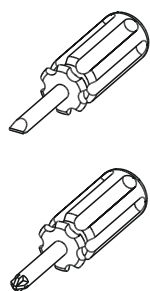
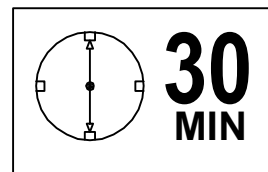
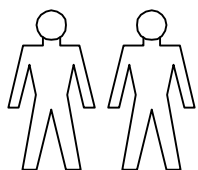
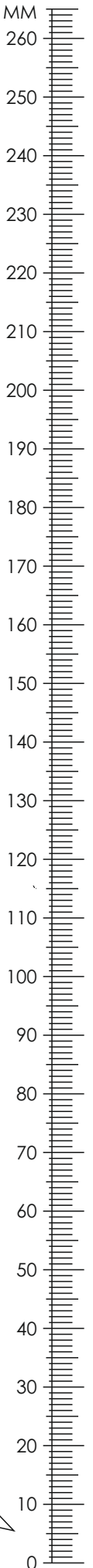

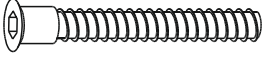



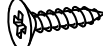

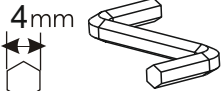

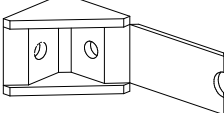


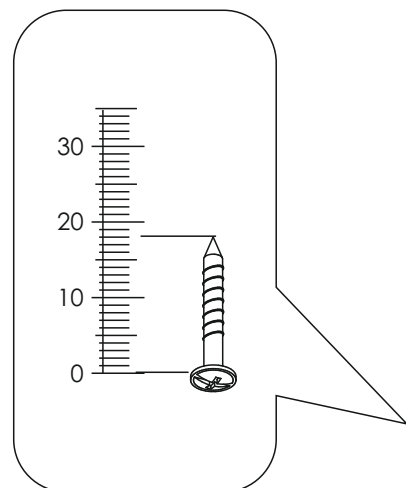
SCARLET Bed 90, 140, 160



SCARLET Bed 90, 140, 160




B0  x4 x8	B1 f 7 x 50 mm x18 	C2 x13 (90) x12 
C7 x13 (90) x12 16 mm 	D1 3 x 25 mm x12 (90) x8 	D10 4 x 16 mm x4 
D16 4,2 x 28 mm x12 	K x1 4mm 	T3 x14 
 x2		




SCARLET Bed 90, 140, 160


90

1	1000	590	16 x1	1/2
2	1000	150	16 x1	1/2
3	900	80	16 x2	1/2
4	940	210	16 x1	1/2
5	260	180	16 x2	1/2
6	1013	200	16 x1	1/2
7	260	160	16 x2	1/2
8	260	160	16 x2	1/2
9	2000	180	16 x1	2/2
10	905	55	25 x1	2/2
11	905	55	25 x1	2/2
12	1050	55	25 x1	2/2
				1/2

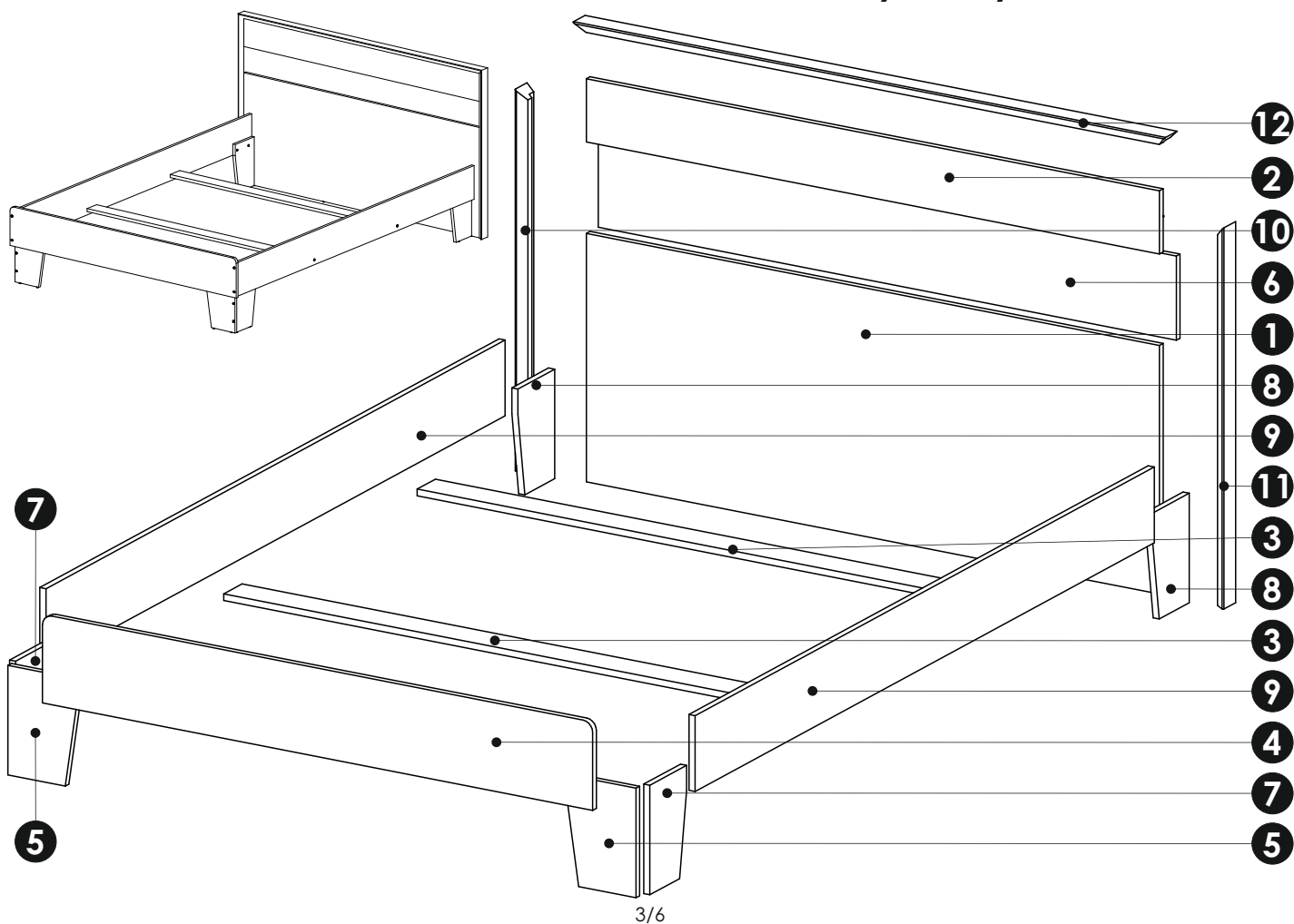
140

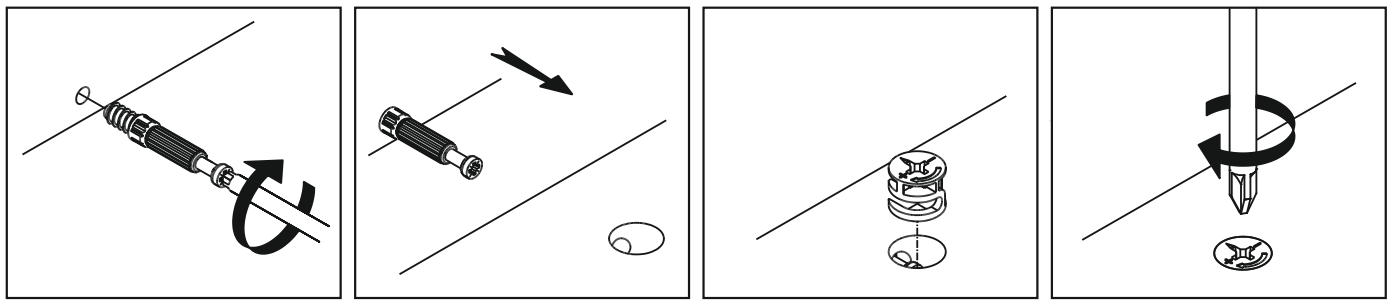
1	1500	590	16 x1	1/2
2	1500	150	16 x1	1/2
3	1400	80	16 x2	1/2
4	1440	210	16 x1	1/2
5	260	180	16 x2	1/2
6	1513	200	16 x1	1/2
7	260	160	16 x2	1/2
8	260	160	16 x2	1/2
9	2000	180	16 x1	2/2
10	905	55	25 x1	2/2
11	905	55	25 x1	2/2
12	1050	55	25 x1	2/2
				1/2

160

1	1700	590	16 x1	1/2
2	1700	150	16 x1	1/2
3	1600	80	16 x2	1/2
4	1640	210	16 x1	1/2
5	260	180	16 x2	1/2
6	1713	200	16 x1	1/2
7	260	160	16 x2	1/2
8	260	160	16 x2	1/2
9	2000	180	16 x1	2/2
10	905	55	25 x1	2/2
11	905	55	25 x1	2/2
12	1050	55	25 x1	2/2
				1/2

90/140/160





1 ▶

