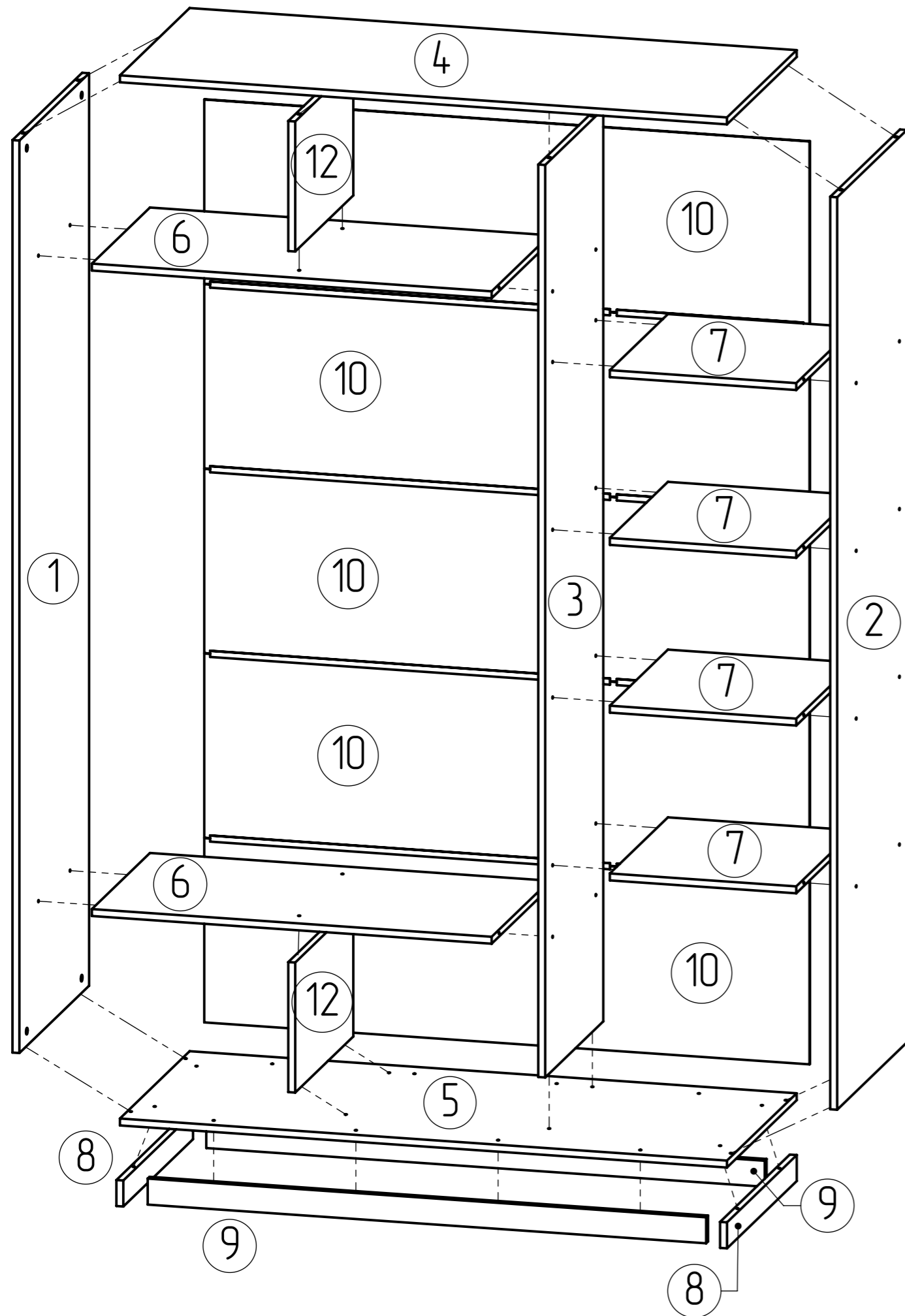


GR-W16012



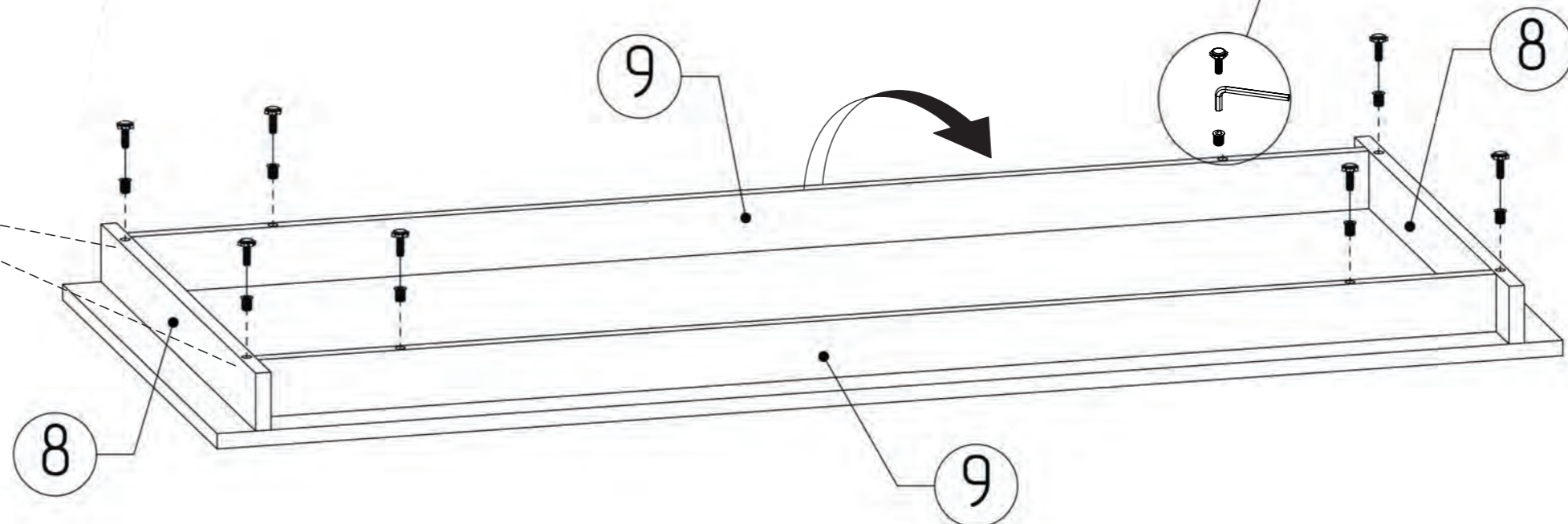
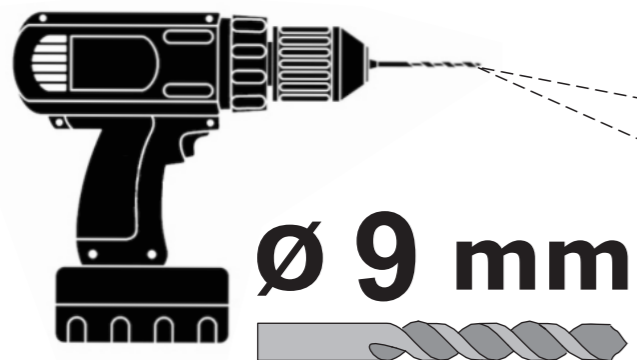
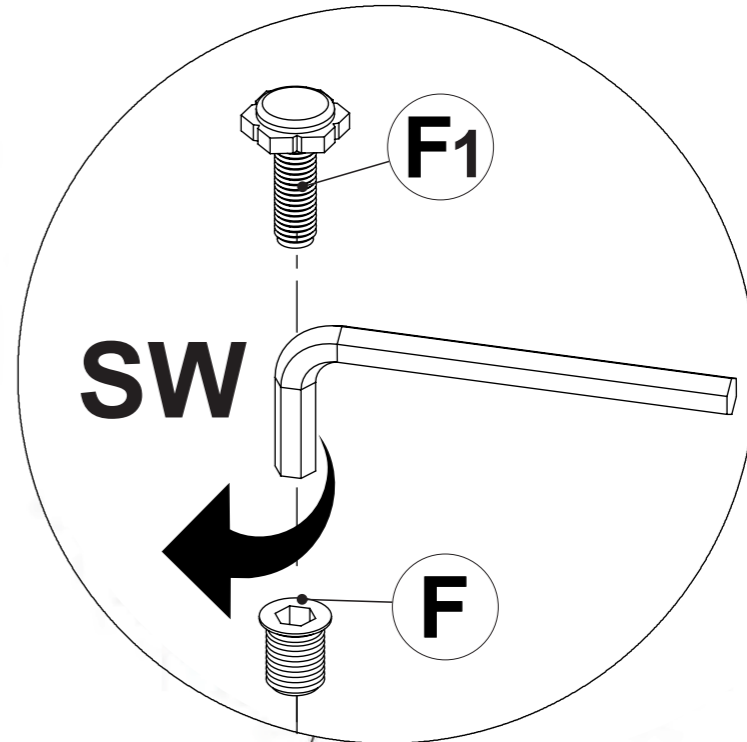
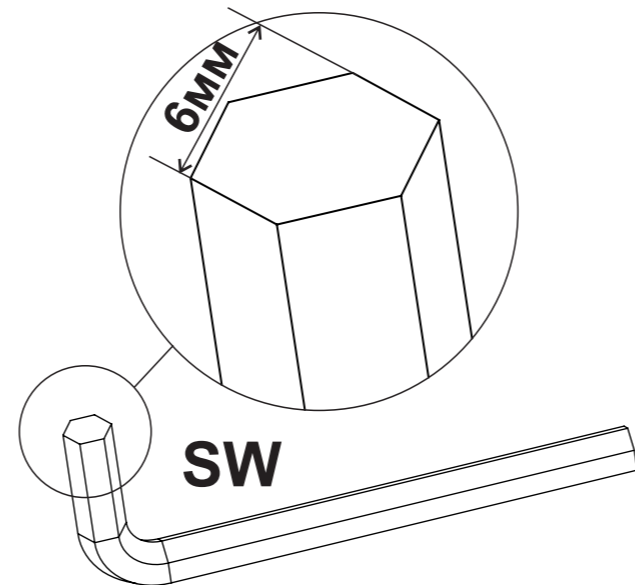
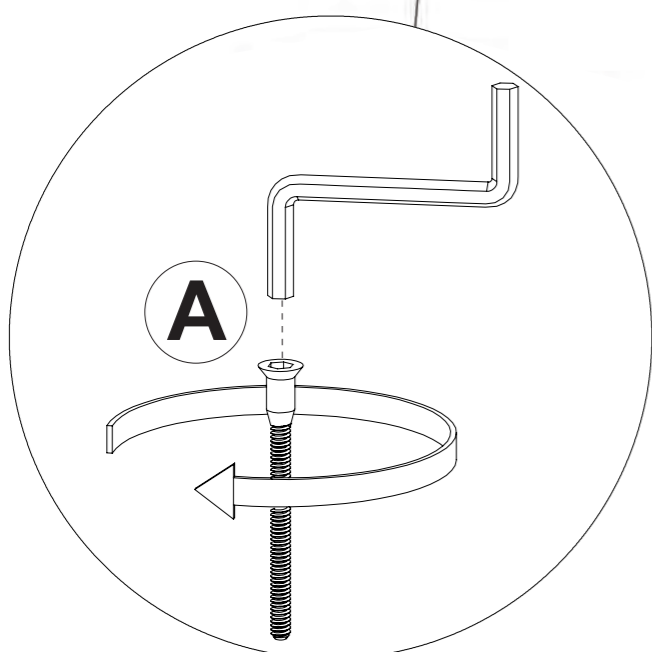
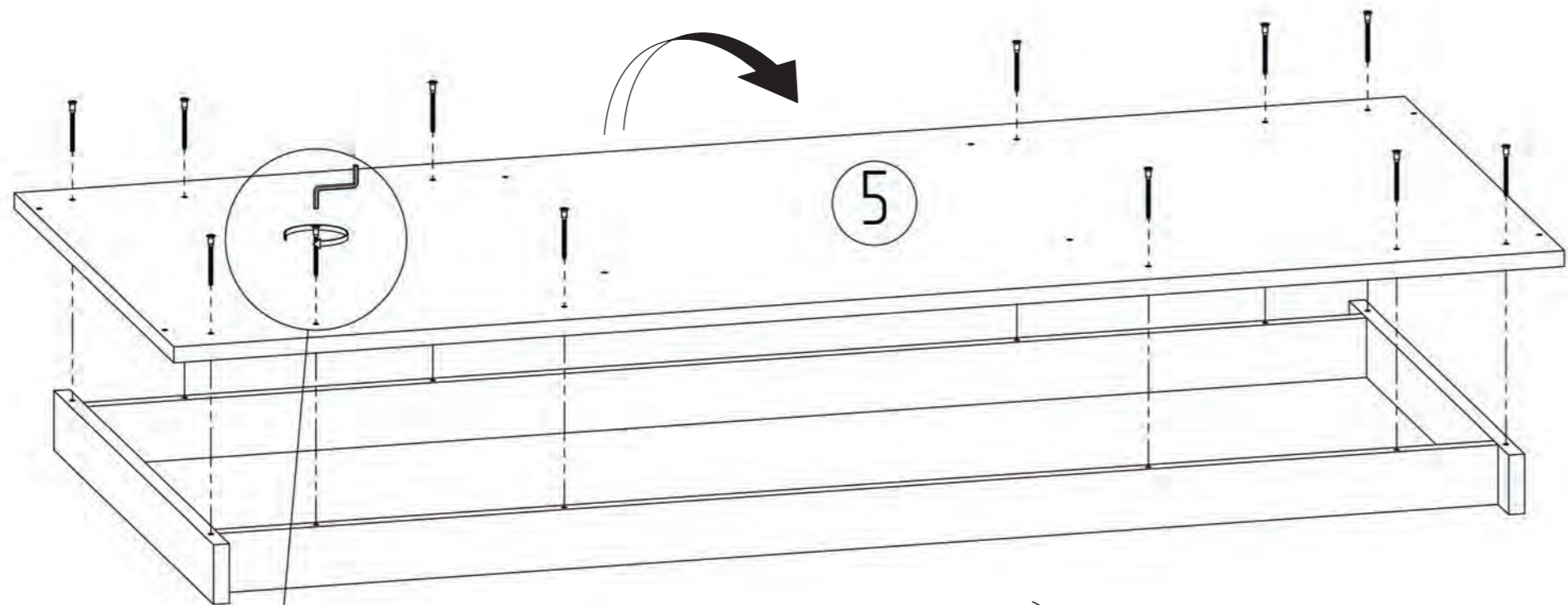
# 220x60x160

Nº		220x60x160		X
①		2105x600x16		1
②		2105x600x16		1
③		2105x500x16		1
④		1600x600x16		1
⑤		1600x600x16		1
⑥		1122x500x16		2
⑦		430x500x16		4
⑧		600x60x16		2
⑨		1488x60x16		2
⑩		1596x531x2.5		4
⑪		2164x797		2
⑫		300x500x16		2
⑬		L=1566		3
⑭		L=1566		3

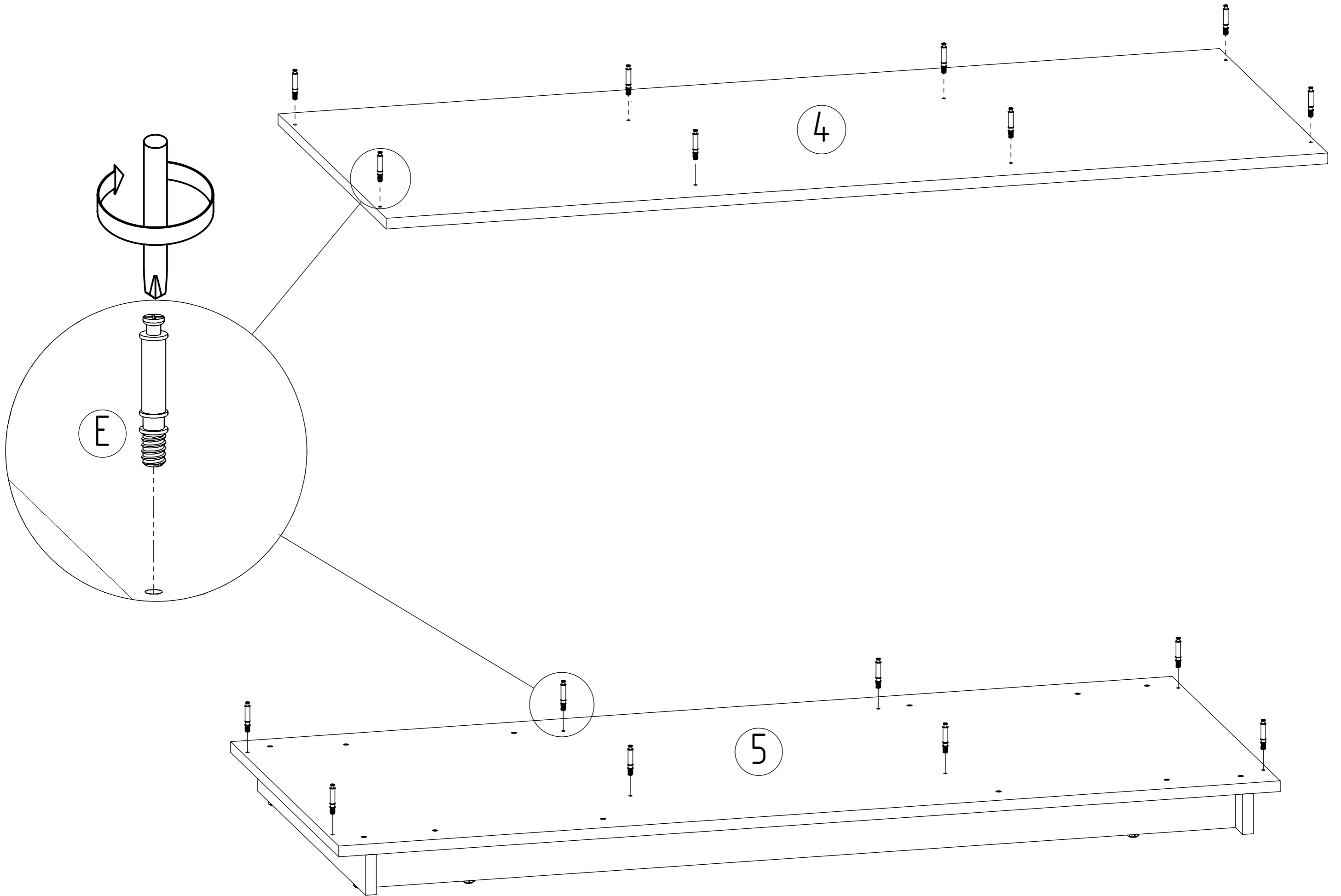
<p>(A) 6.3*50</p>  <p>x45</p>	<p>(A1)</p>  <p>x45</p>	<p>(B) 4*16</p>  <p>x24</p>	<p>(C)</p>  <p>x12</p>
<p>(D)</p>  <p>70</p>	<p>(E)</p>  <p>x16</p>	<p>(E1)</p>  <p>x16</p>	<p>(F)</p>  <p>x9.40</p>
<p>(G)</p>  <p>x2</p>	<p>(G1)</p>  <p>x1</p>	<p>(H)</p>  <p>x2</p>	<p>(I)</p>  <p>x8</p>
<p>(J)</p>  <p>x8</p>	<p>(K) 3.5*16</p>  <p>x6</p>	<p>(L)</p>  <p>x1</p>	



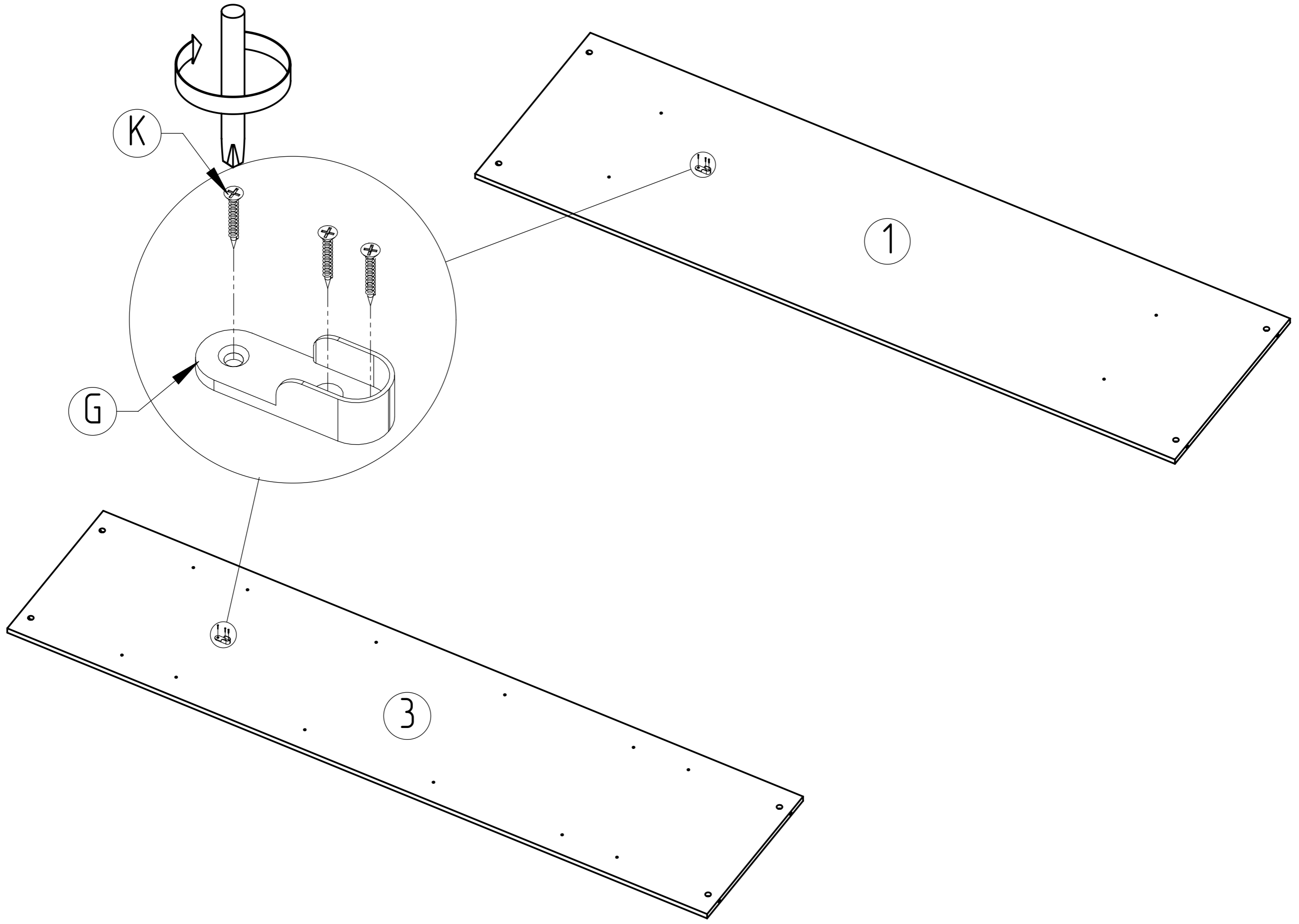
1



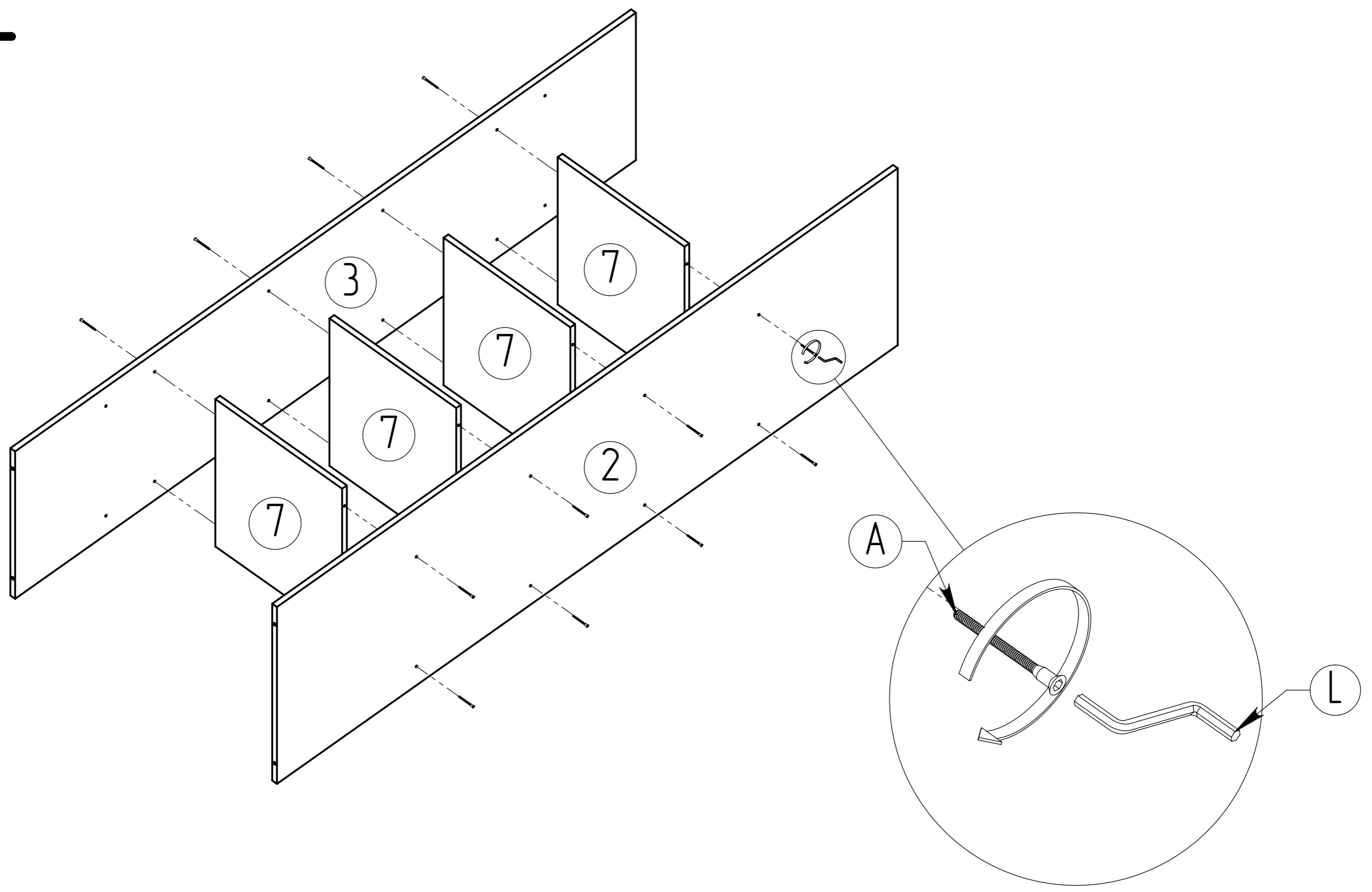
2



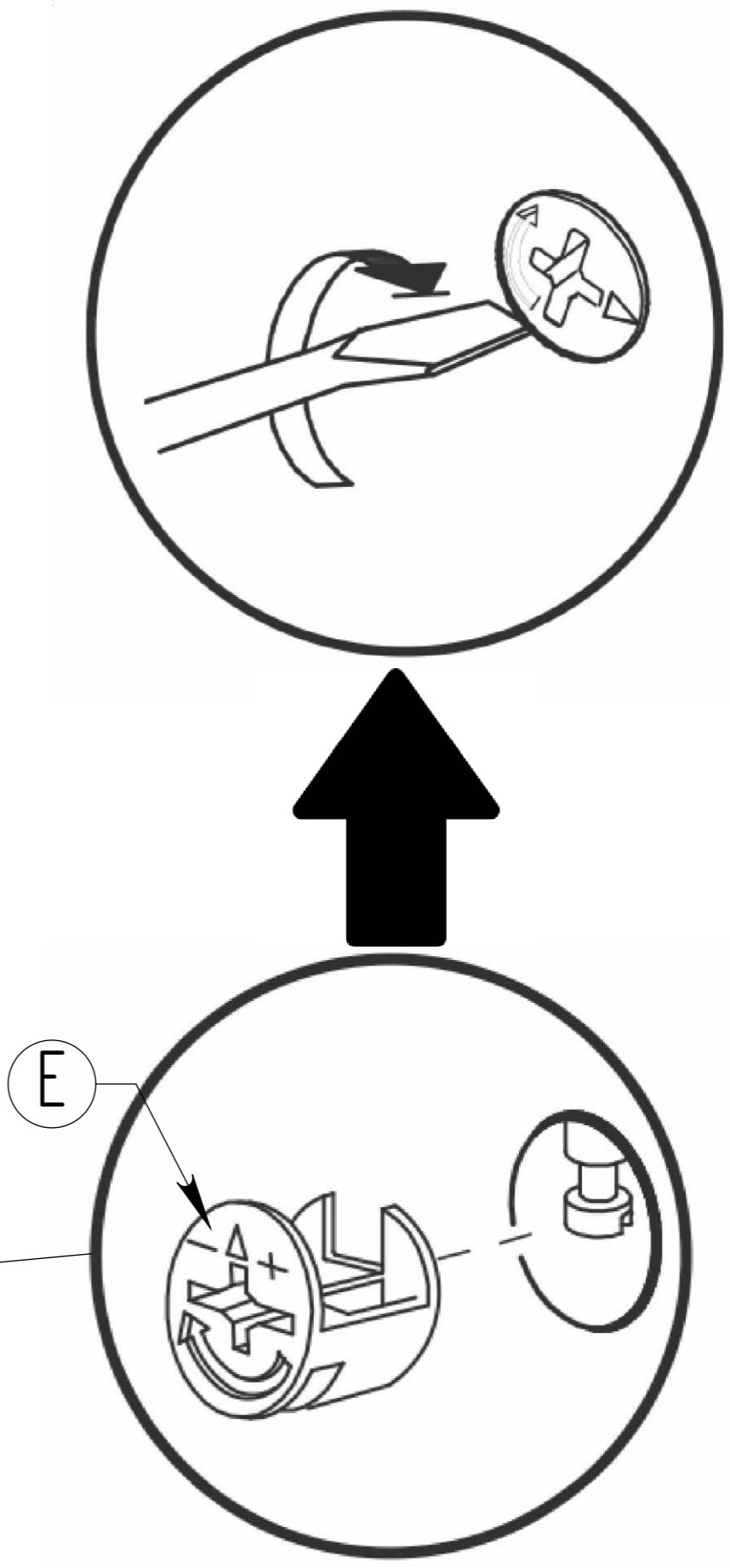
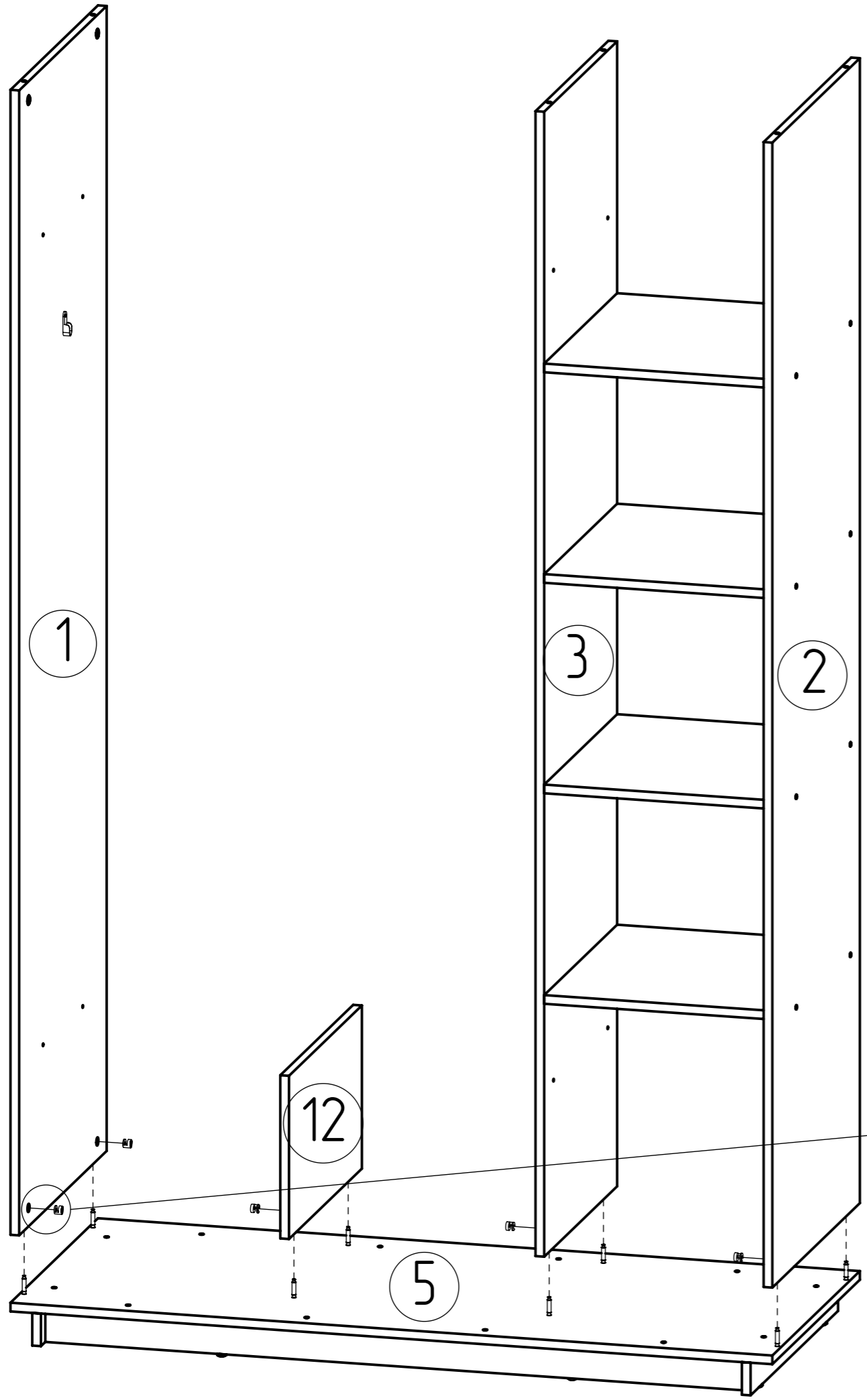
3



4

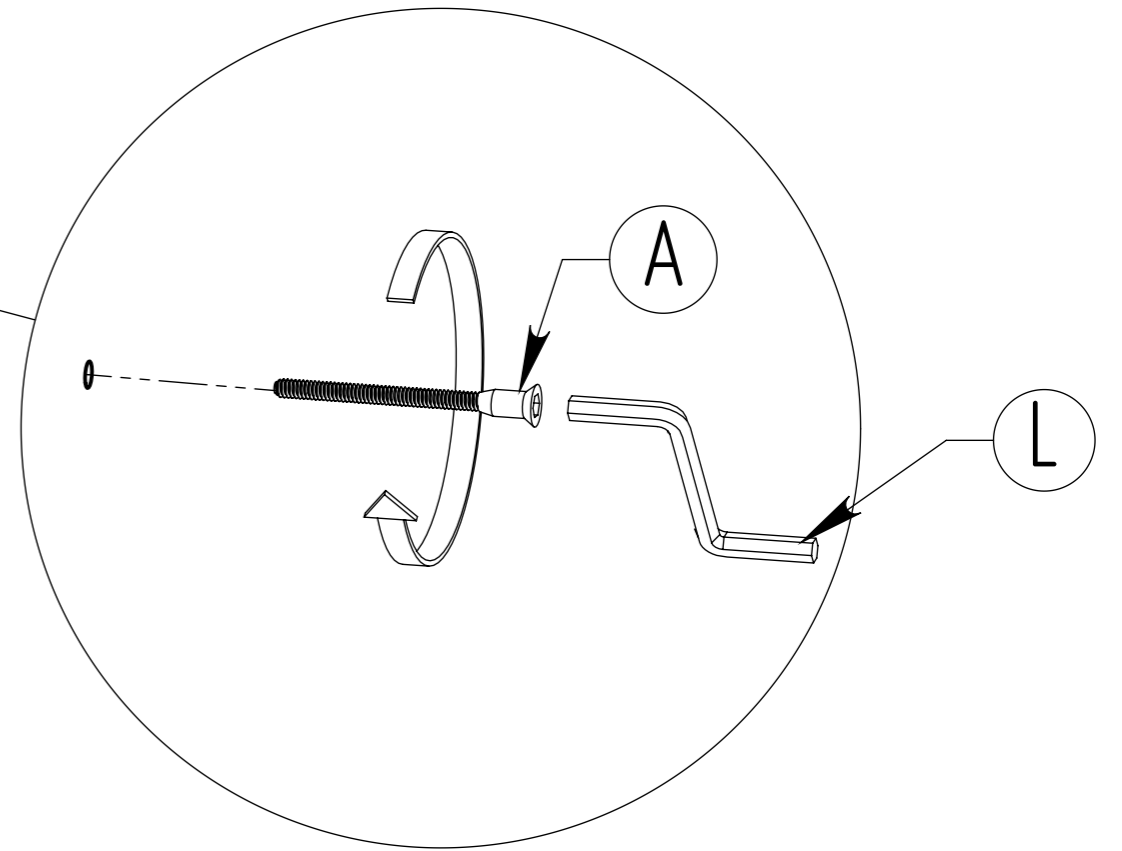
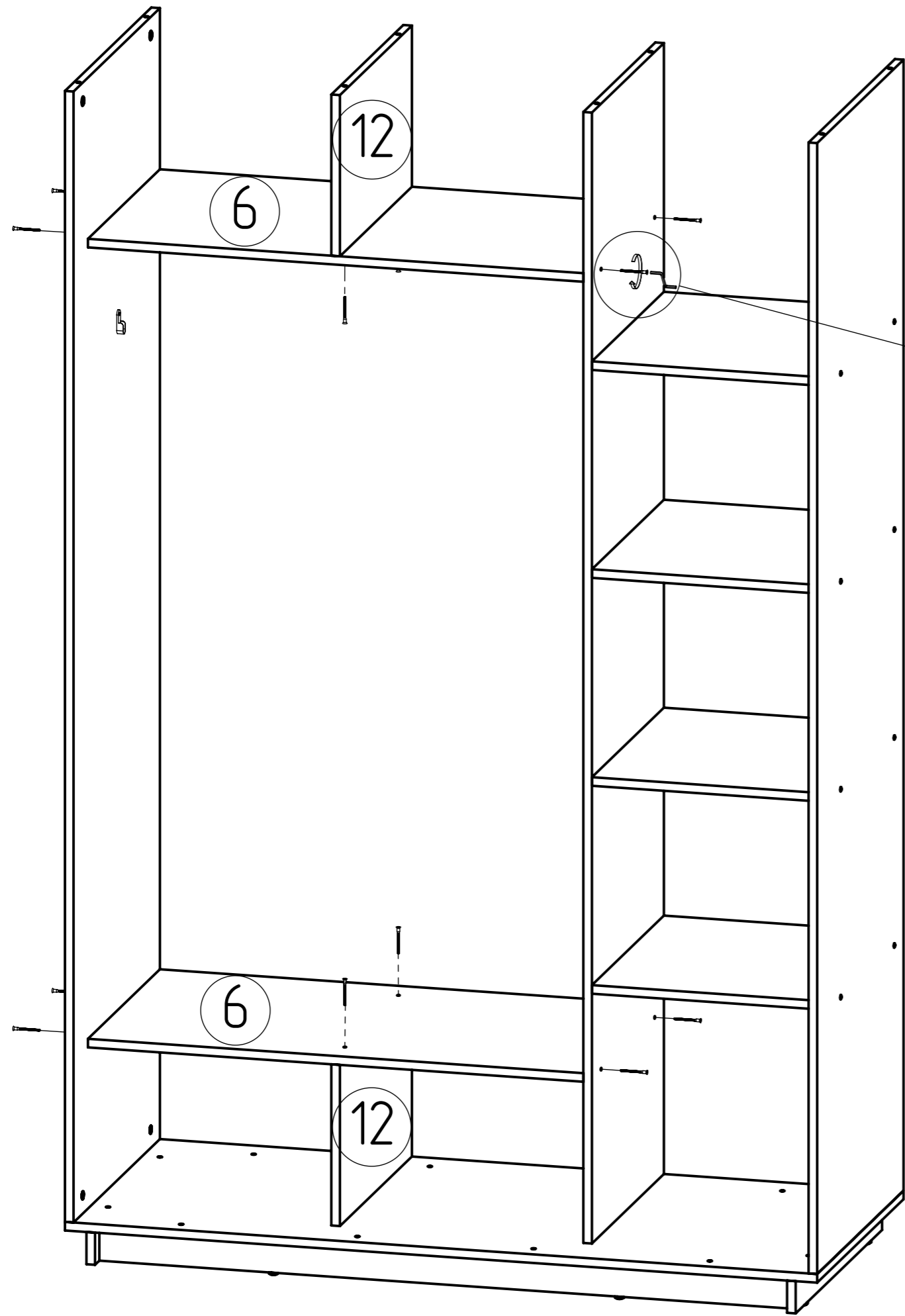


5

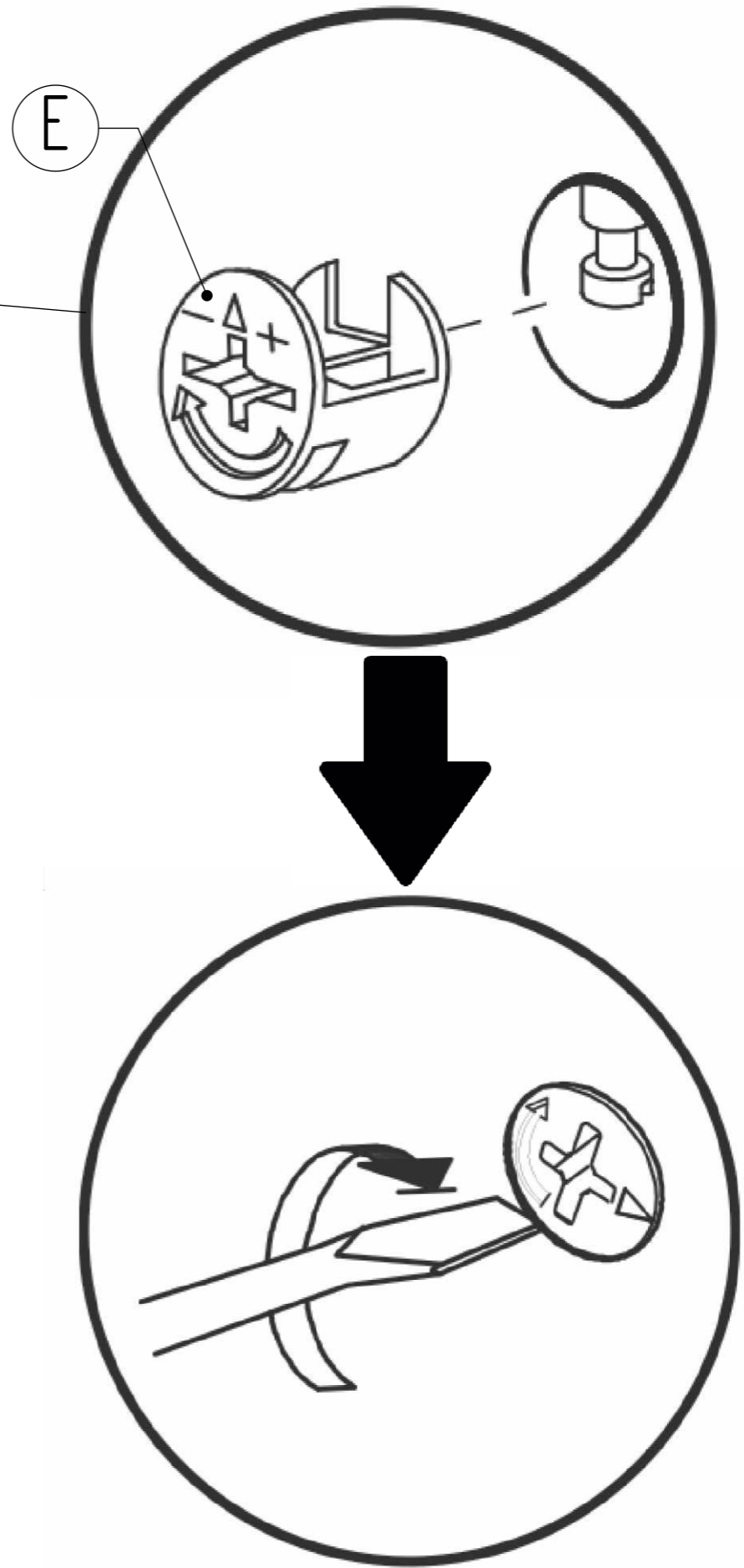
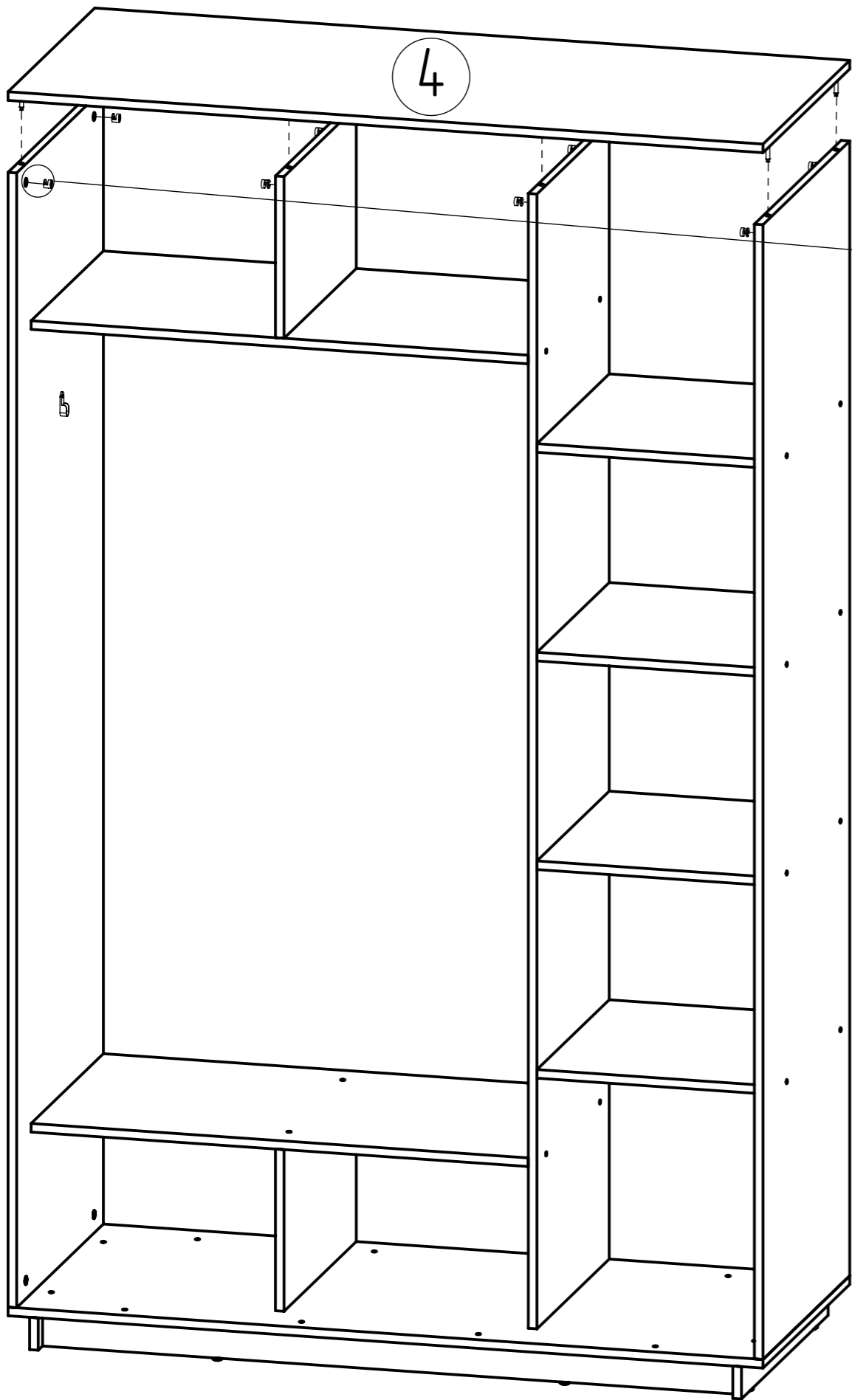




6

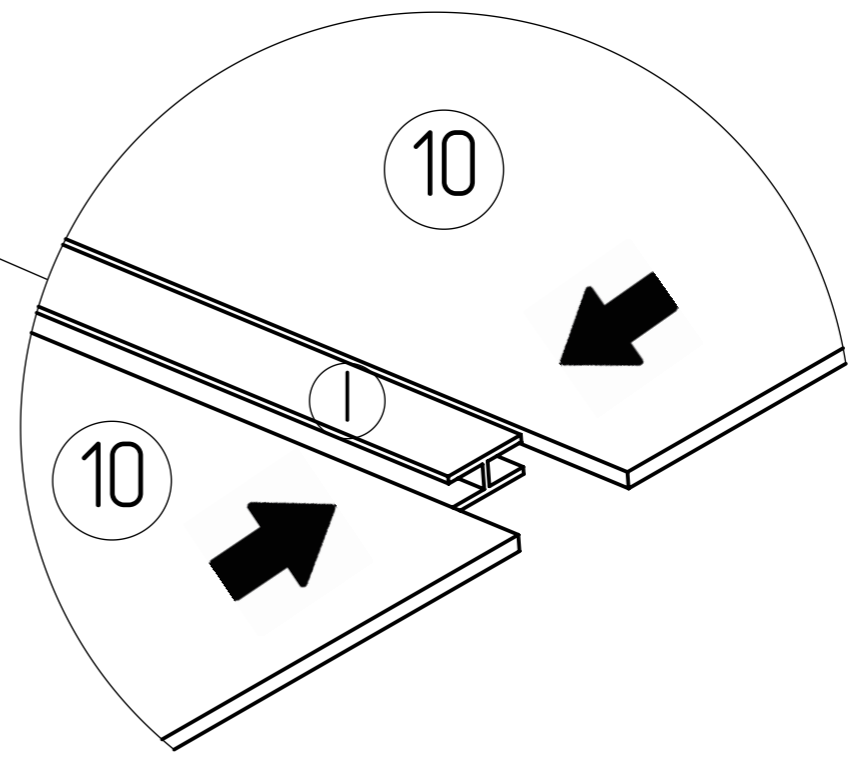
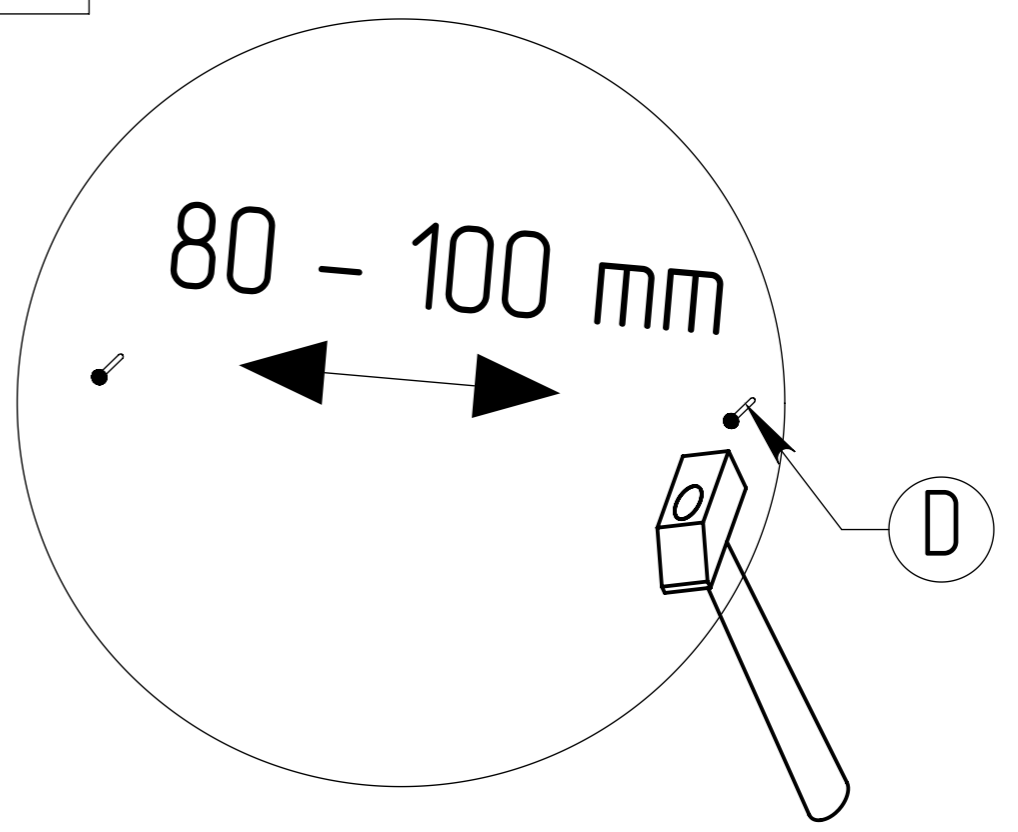
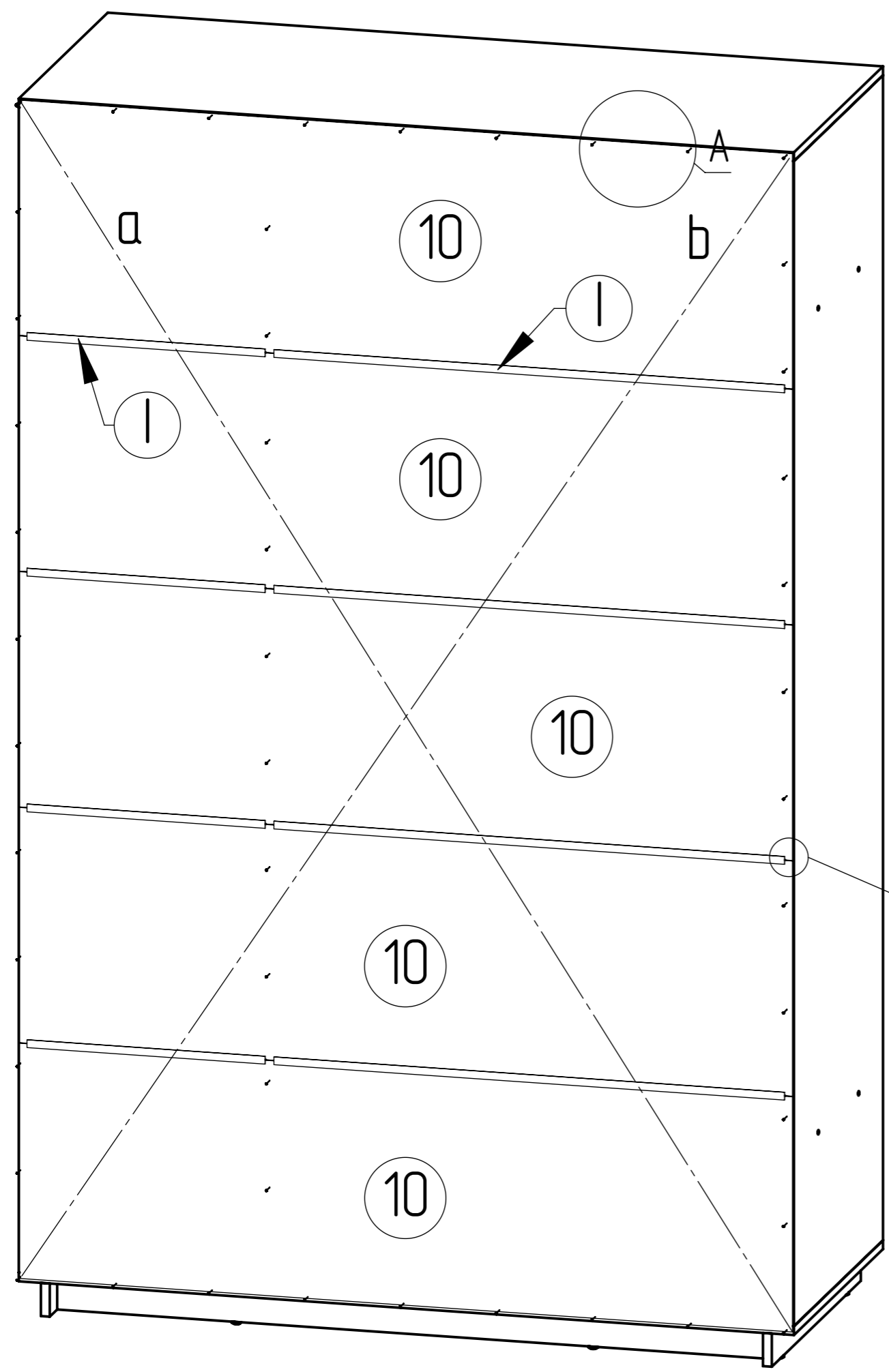


7

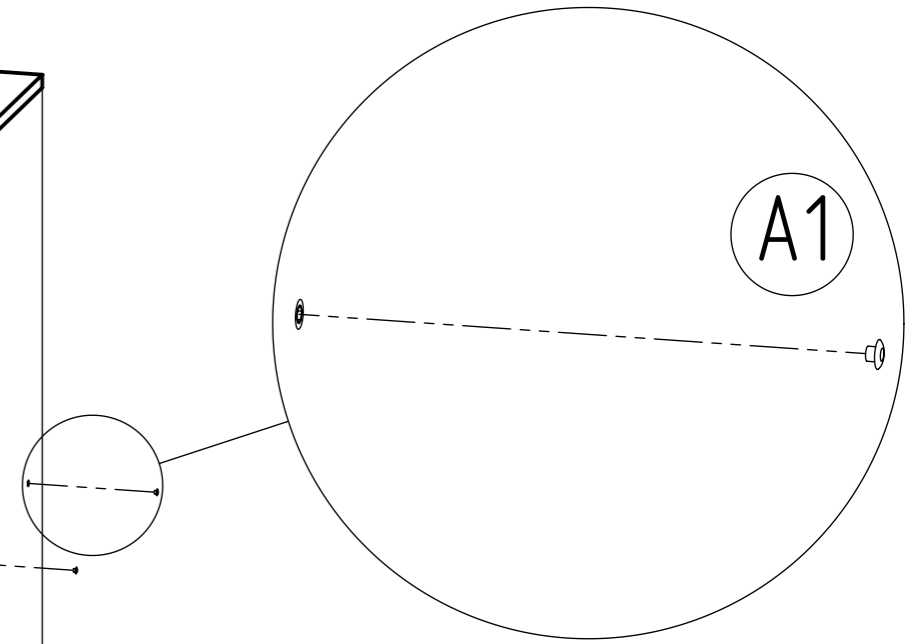
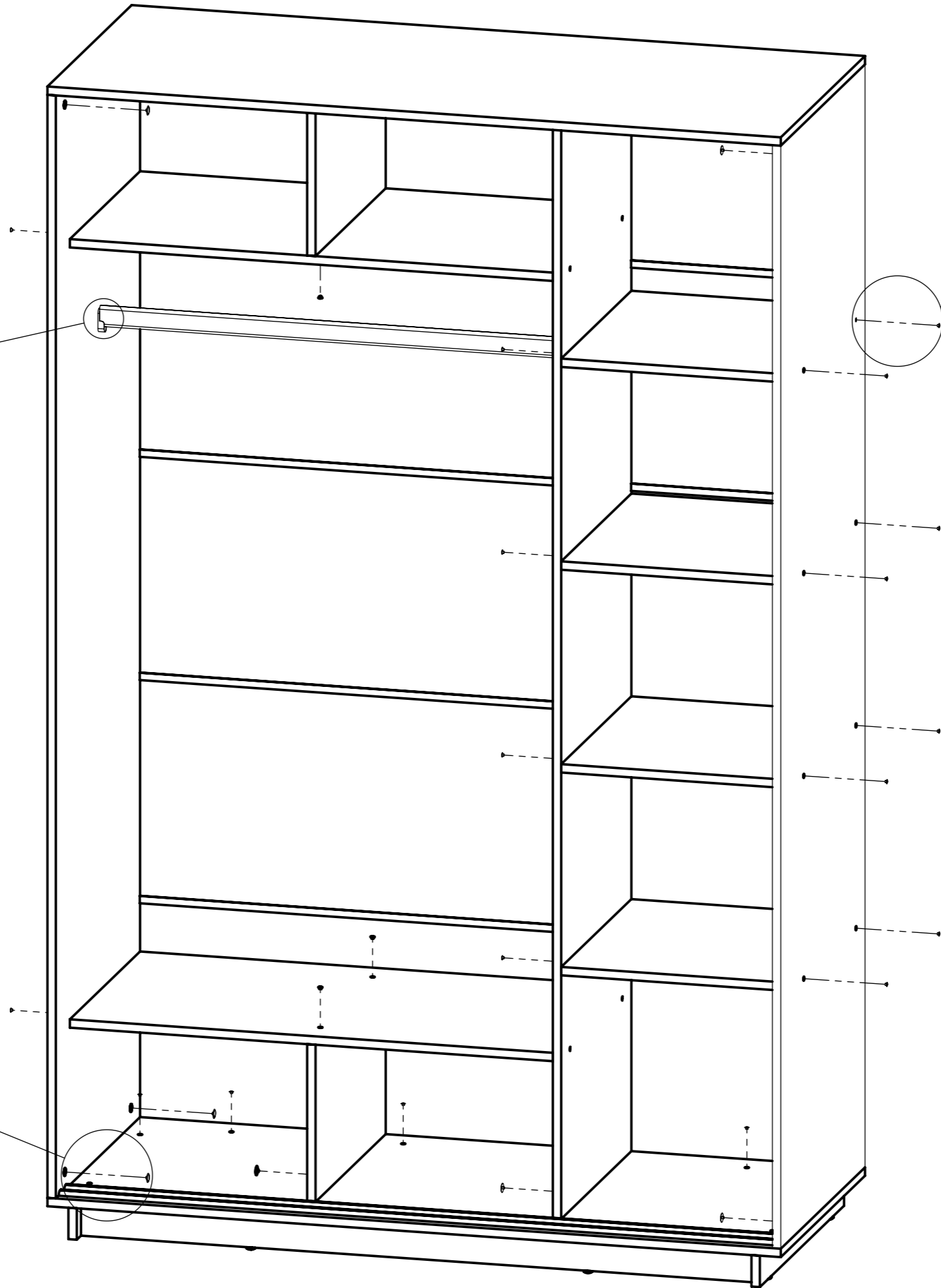
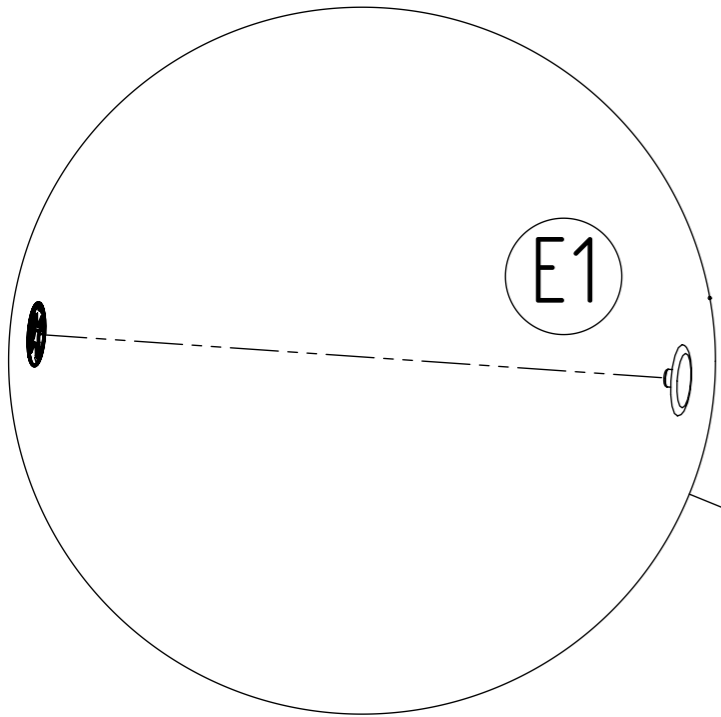
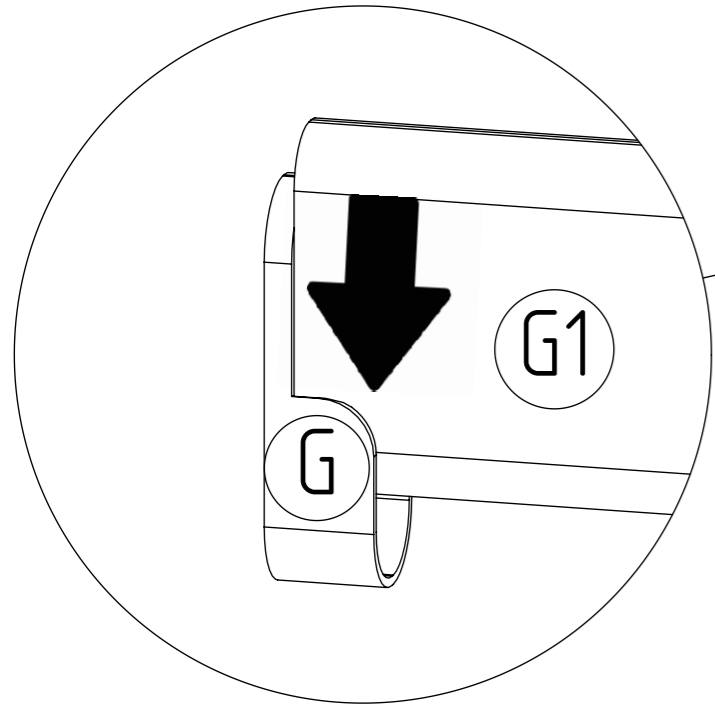


8

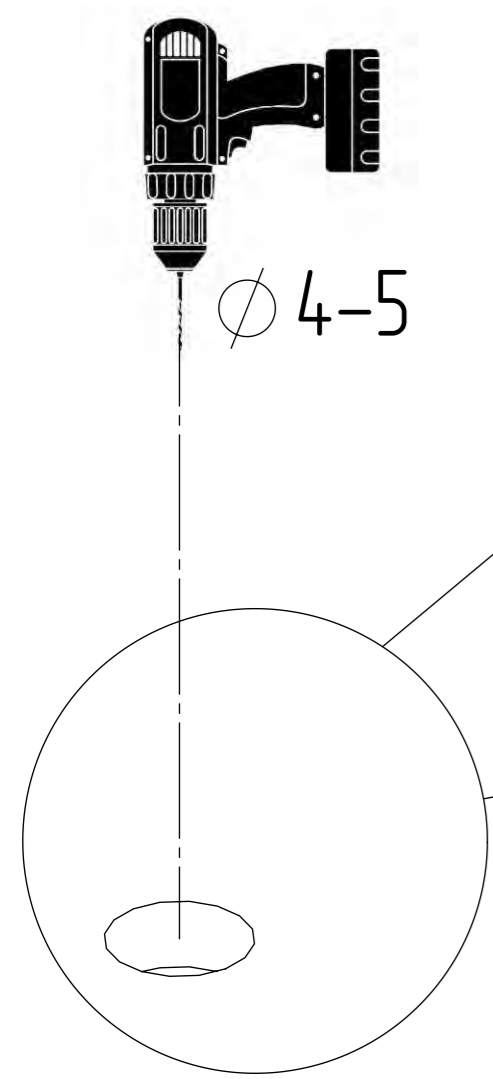
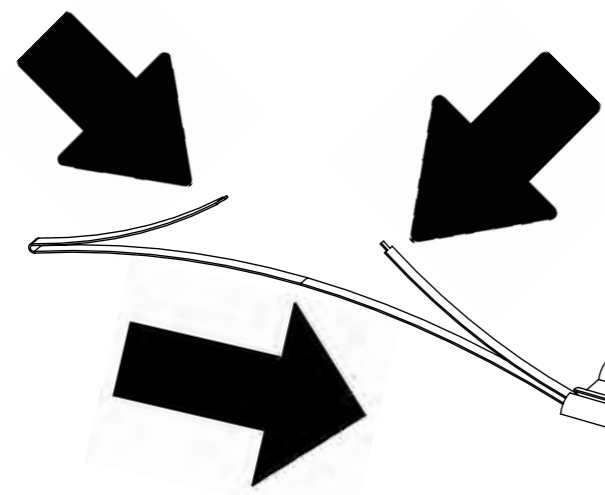
$$a = b$$



9

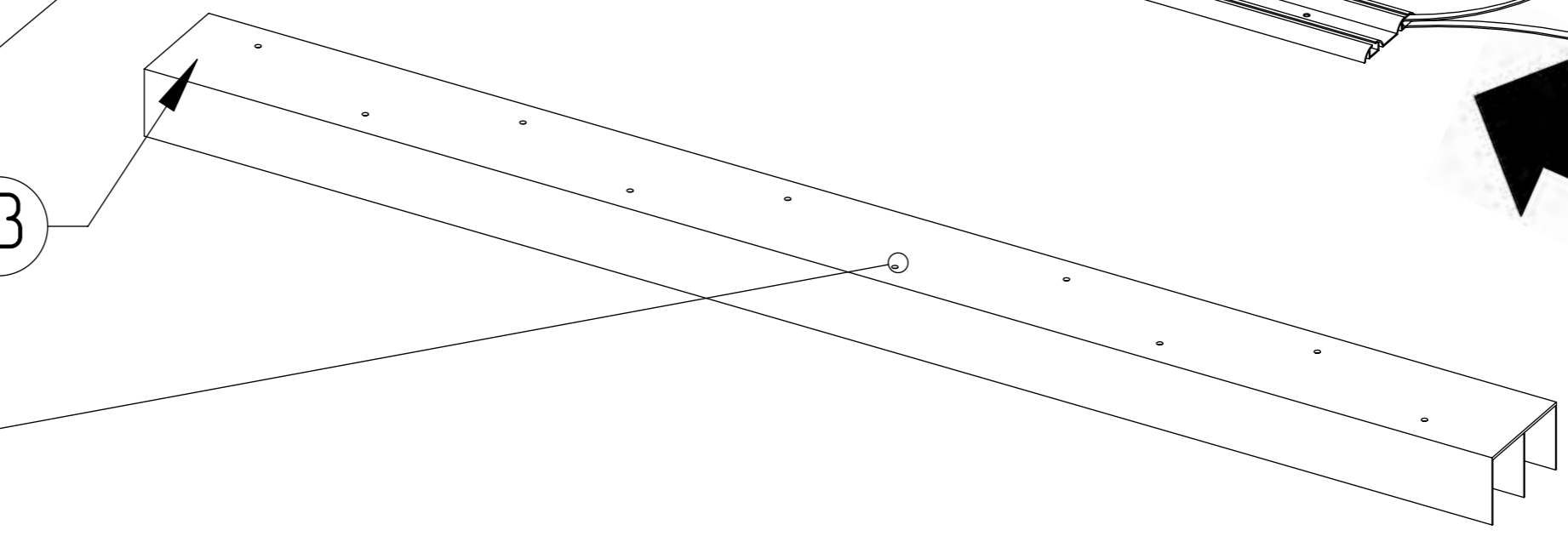


10

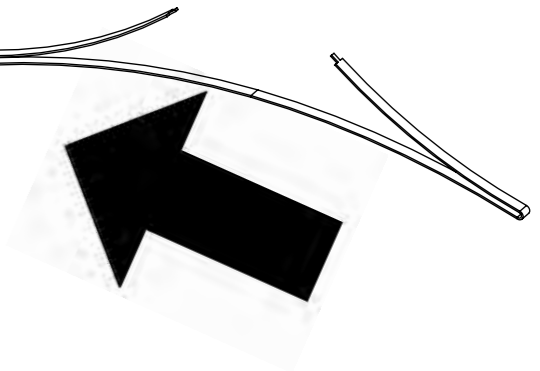
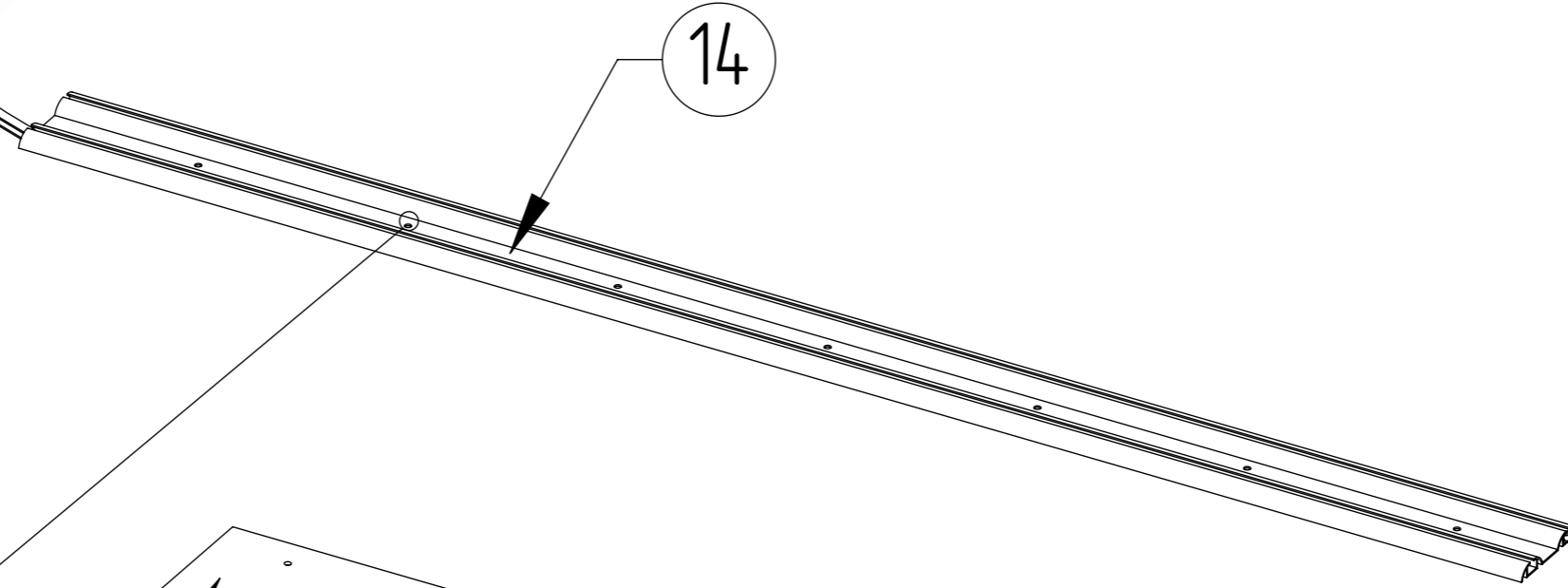


∅ 4-5

13

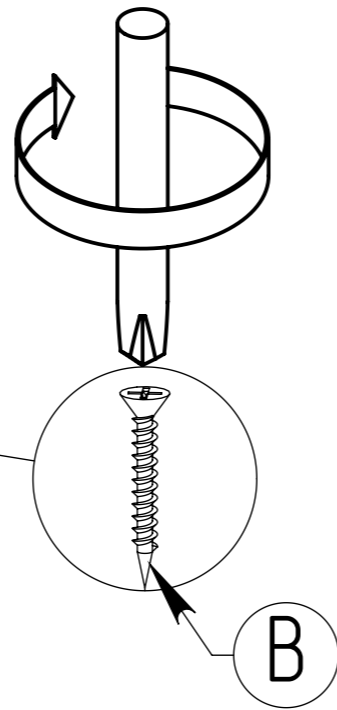
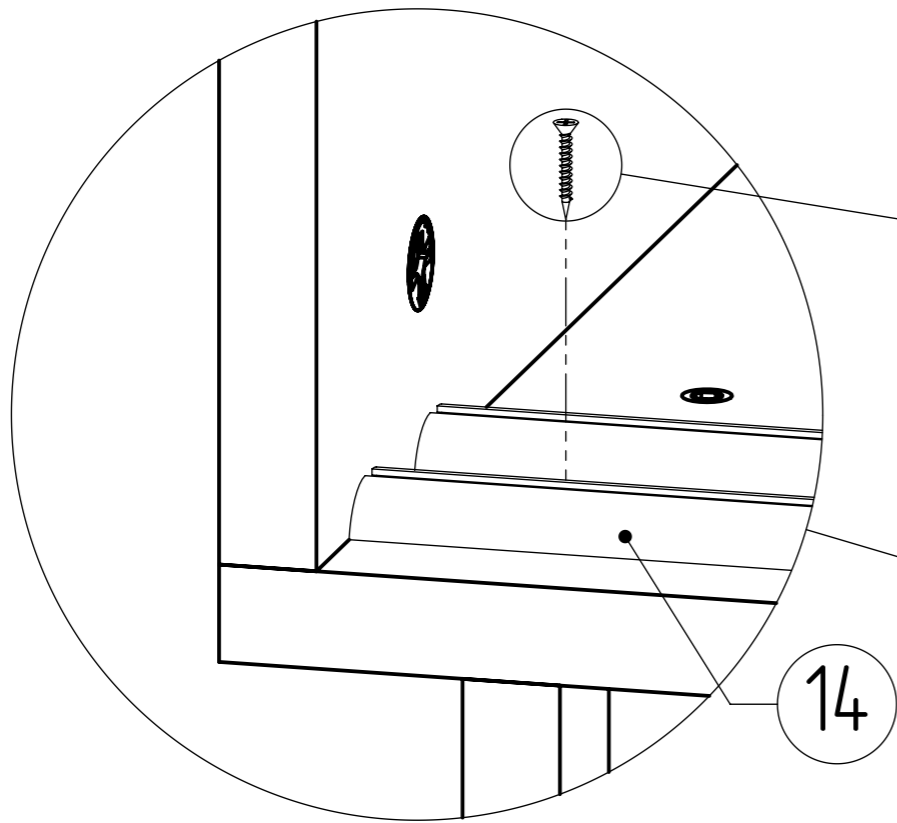
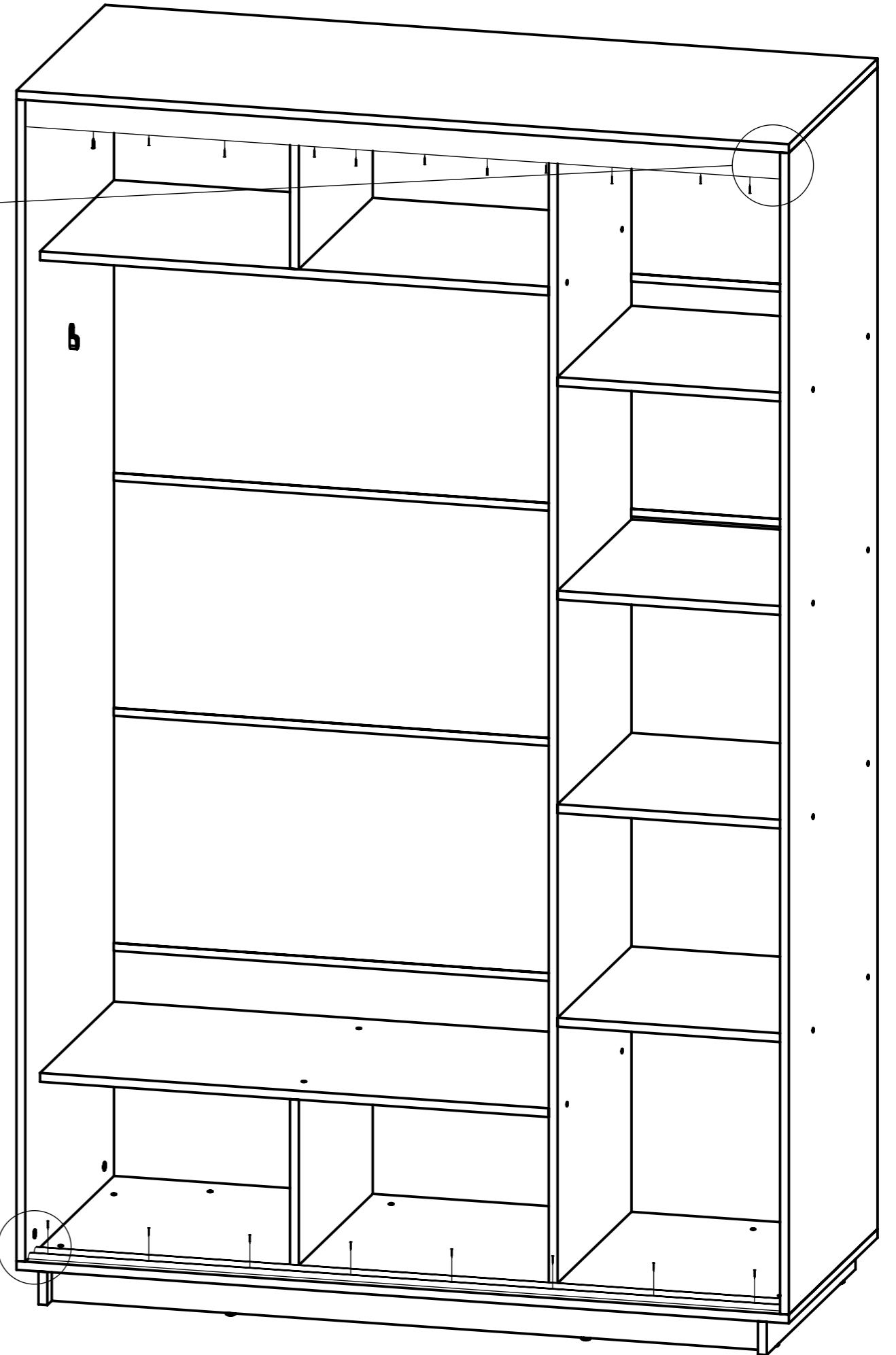
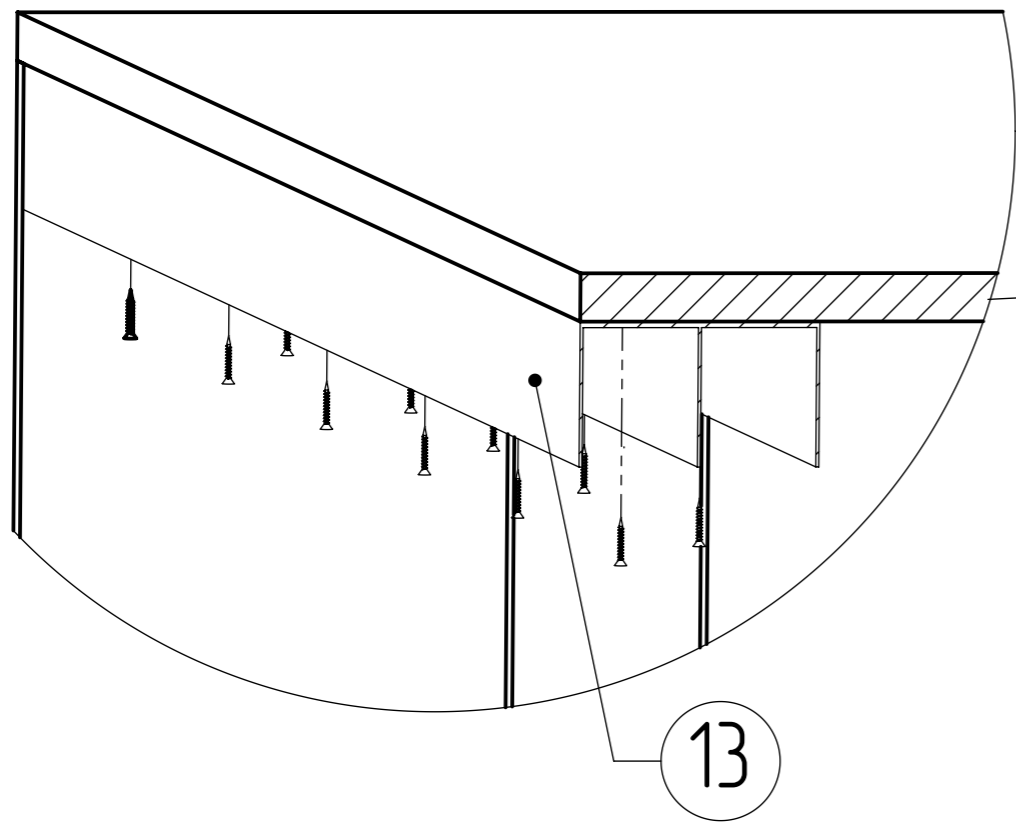


14

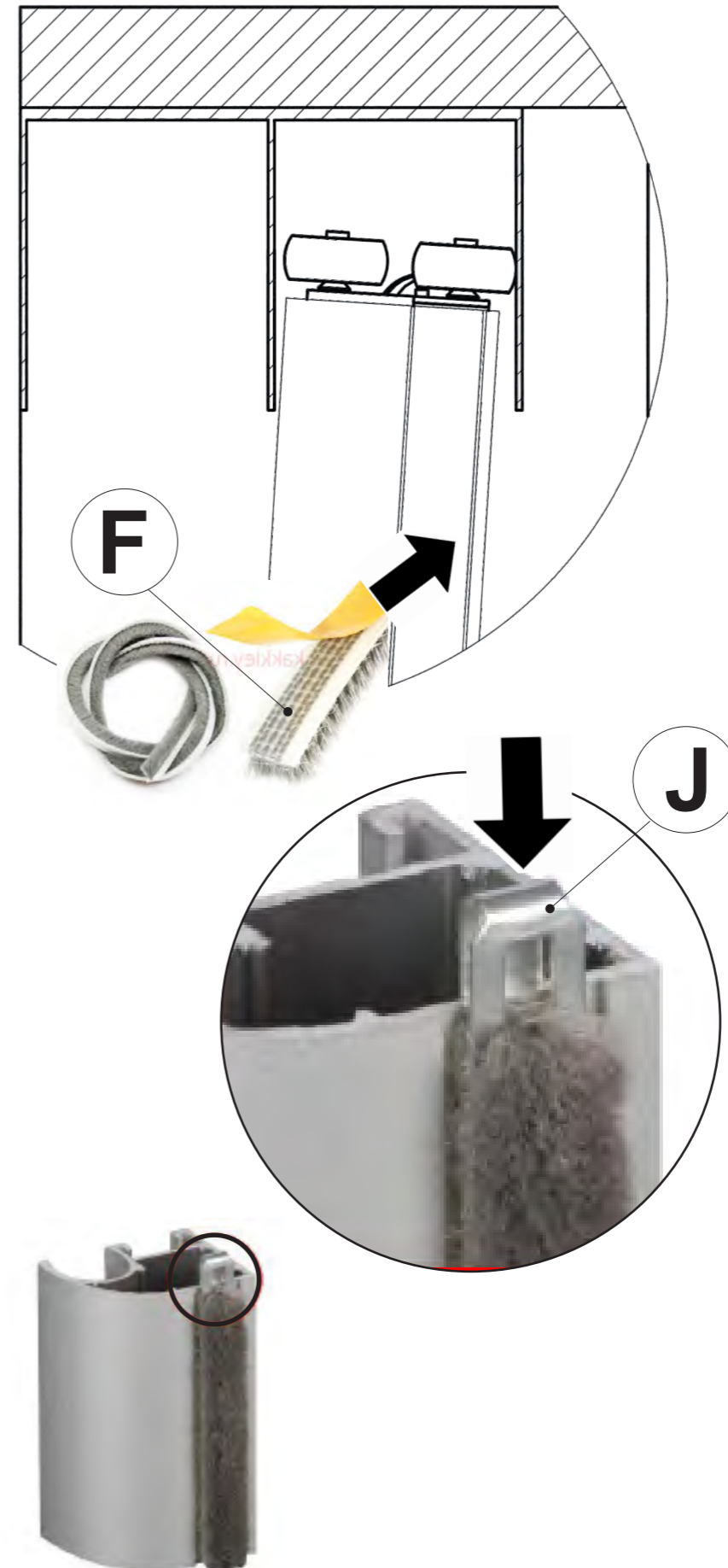
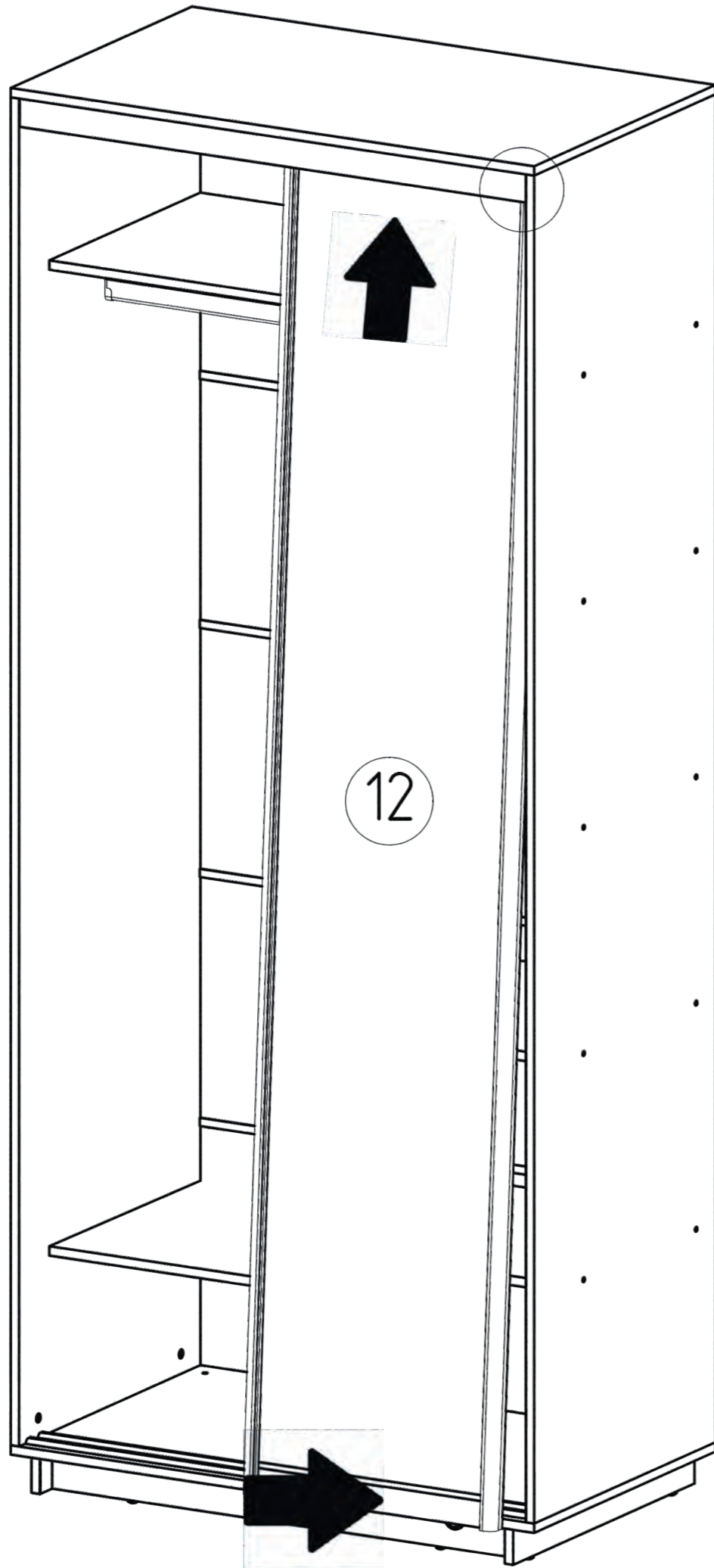




11



12



13

